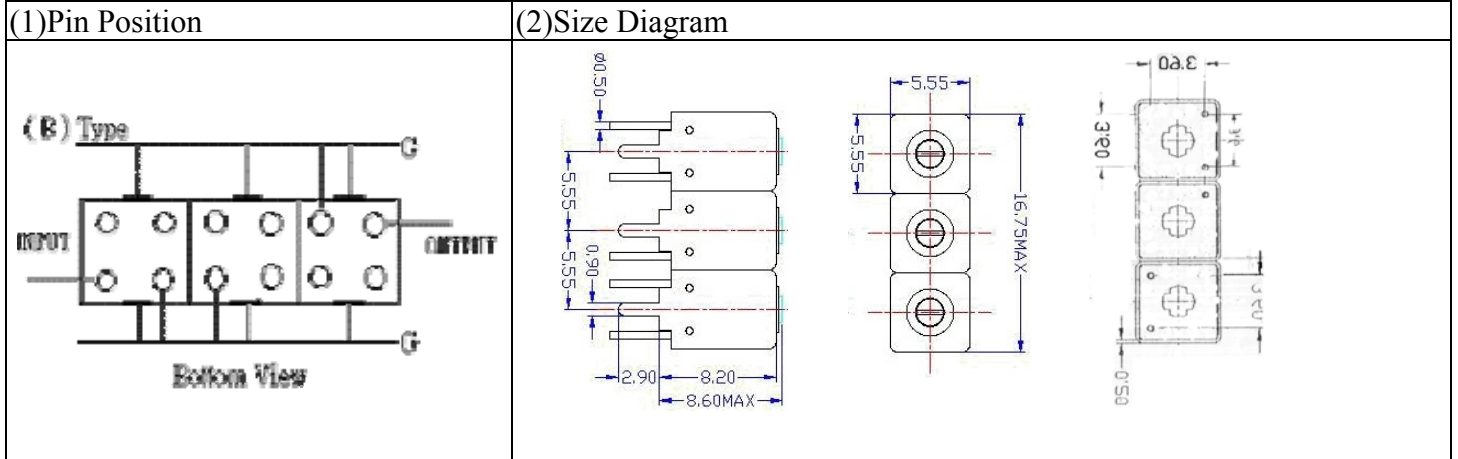


VHF UHF Helical Filter Specification Sheet

Customer Name		Temwell's Part No.	TTW3800B-2325M
Approval No. /dated	0512054APR	Acceptable Specify Fo Range	2301-2350 MHz
Work Instruction No.	0512054DC	Date	Feb.07.2006



(3) Electric Character			
Item	Specify	Performance	
Center Freq. (Fo) +/- 0.5 %	2325 MHz	2325	MHz
Tunable Range:	2325±5 MHz	2325±5	MHz
Insertion Loss	Typ. 3.5 dB	2.54	dB
-3 dB Bandwidth	Typ. 66 MHz	85.3	MHz
Sensitivity (Attenuation)	Fo - 150 MHz	Typ. 28	dBc
	Fo + 150 MHz	Typ. 18	dBc
	Fo - ()MHz	Typ.	dBc
	Fo + ()MHz	Typ.	dBc
Return Loss	Min. 12 dB	23.4	dB
Ripple	< 1 dB		dB
Impedance	In / Out : 50 Ω	In / Out : 50 Ω	

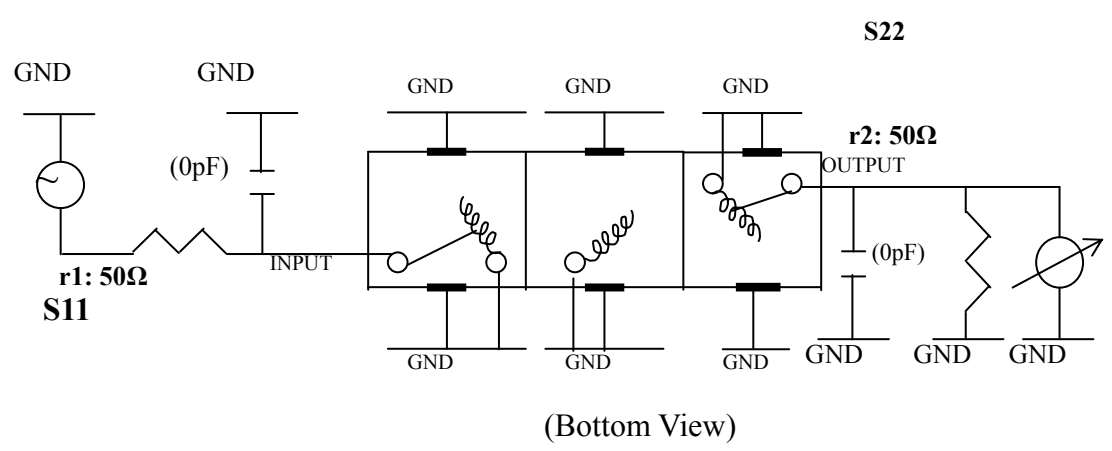
(4) Torque for Tuning Screw > 60gf • cm

(5) Temperature Condition:

Operating Temperature	0°C ~ +60°C
Storage Temperature	-20°C ~ +70°C

(6) Input Power > 0.5Watt

(7) Measuring Circuit: ※Easy to match Impedance S11/S22 50Ω by parallel with about(0pF) / (0pF).

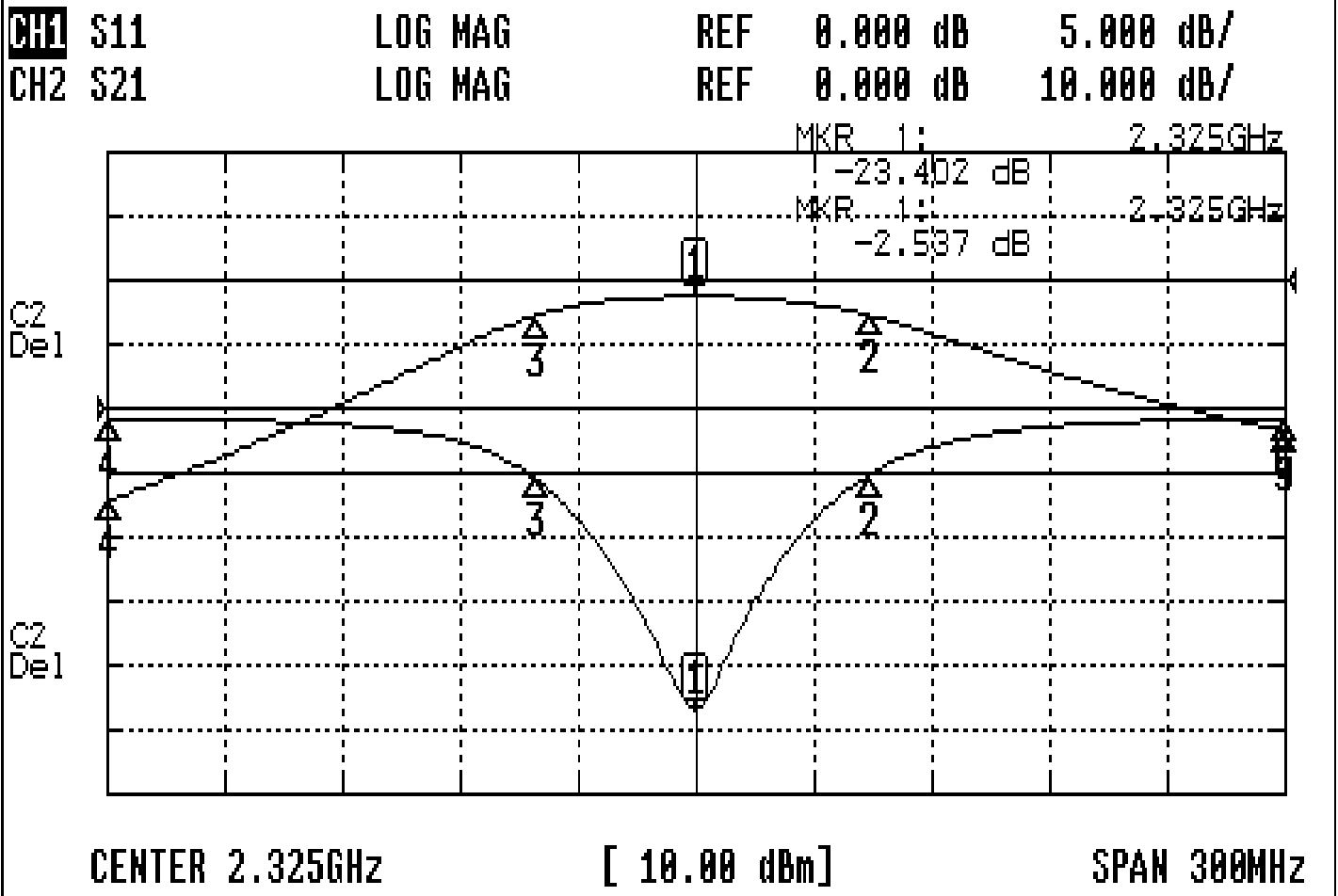


Approval	Supervisor	Designer	Aperture size
C.Y. Chang	C.S. Chang	C.S. Chang	5W3, 3.8*4.0 (4.11) 5HW046RB3.2

TEMWELL CORPORATION

Performance-TTW3800B-2325M

0512054DC



CH1 MARKER LIST

1:	2.325	000GHz	-23.402	dB
2:	2.369	500GHz	-2.537	dB
3:	2.284	250GHz	-5.460	dB
4:	2.175	000GHz	-0.766	dB
5:	2.475	000GHz	-0.786	dB

CH2 MARKER LIST

1:	2.325	000GHz	-2.545	dB
2:	2.369	500GHz	-34.234	dB
3:	2.284	250GHz	-5.565	dB
4:	2.175	000GHz	-34.234	dB
5:	2.475	000GHz	-23.584	dB