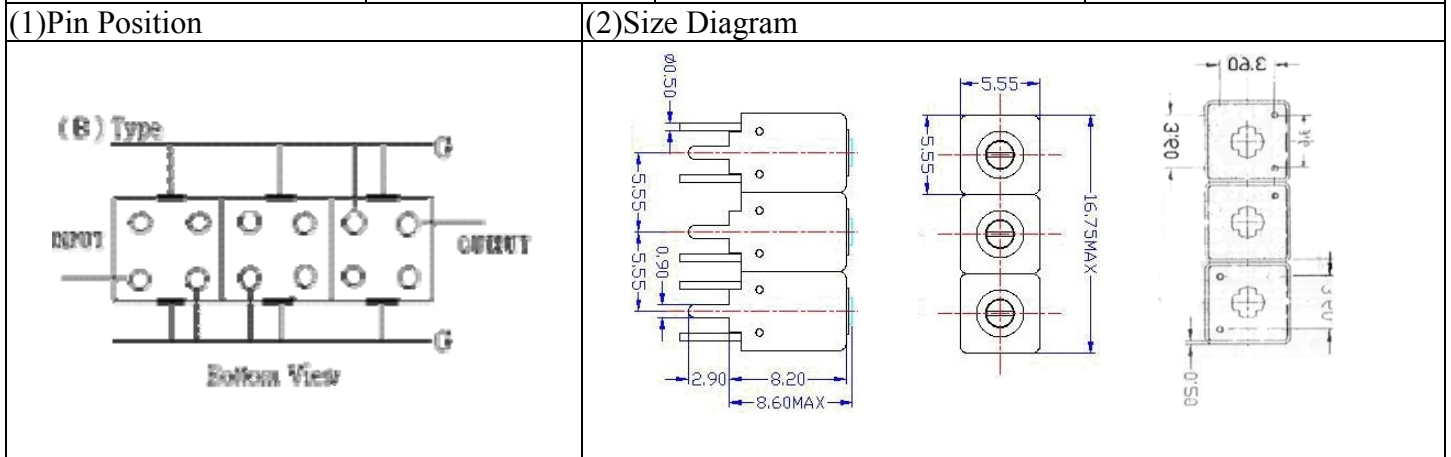


# VHF UHF Helical Filter Specification Sheet

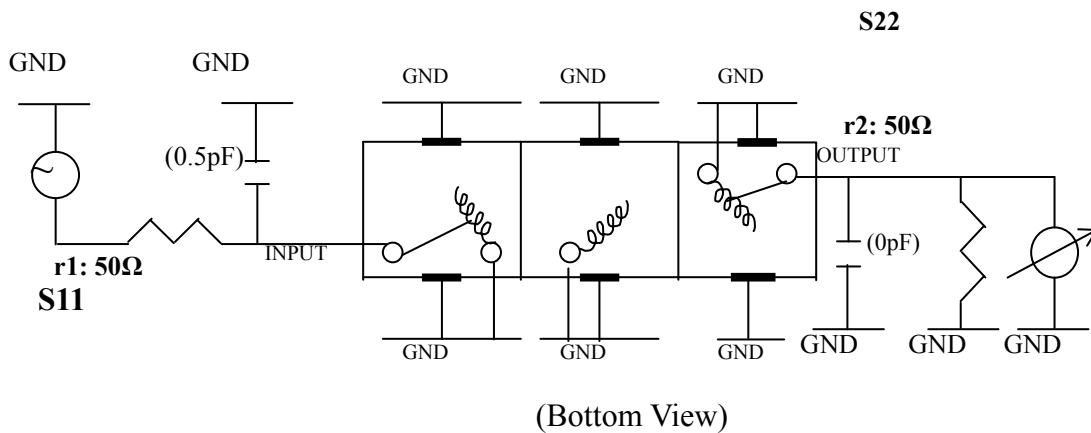
Customer Name		Temwell's Part No.	TTW3797B-2175M
Approval No. /dated	0512051APR	Acceptable Specify Fo Range	2151-2200 MHz
Work Instruction No.	0512051DC	Date	Feb.08.2006



(3) Electric Character			
Item	Specify		Performance
Center Freq.(Fo ) +/- 0.5 %	2175	MHz	2175 MHz
Tunable Range:	2175±5	MHz	2175±5 MHz
Insertion Loss	Typ. 3.5	dB	2.39 dB
-3 dB Bandwidth	Typ. 62	MHz	80.5 MHz
Sensitivity (Attenuation )	Fo - 150 MHz	Typ. 40 dBc	43 dBc
	Fo + 150 MHz	Typ. 25 dBc	28 dBc
	Fo - ( )MHz	Typ. dBc	dBc
	Fo + ( )MHz	Typ. dBc	dBc
Return Loss	Min. 12	dB	16.1 dB
Ripple	< 1	dB	dB
Impedance	In / Out : 50 Ω		In / Out : 50 Ω

(4) Torque for Tuning Screw	> 60gf · cm
(5) Temperature Condition:	
Operating Temperature	0°C ~ +60°C
Storage Temperature	-20°C ~ +70°C
(6) Input Power	> 0.5Watt

(7) Measuring Circuit: ※Easy to match Impedance S11/S22 50Ω by parallel with about(0.5pF) / (0pF).

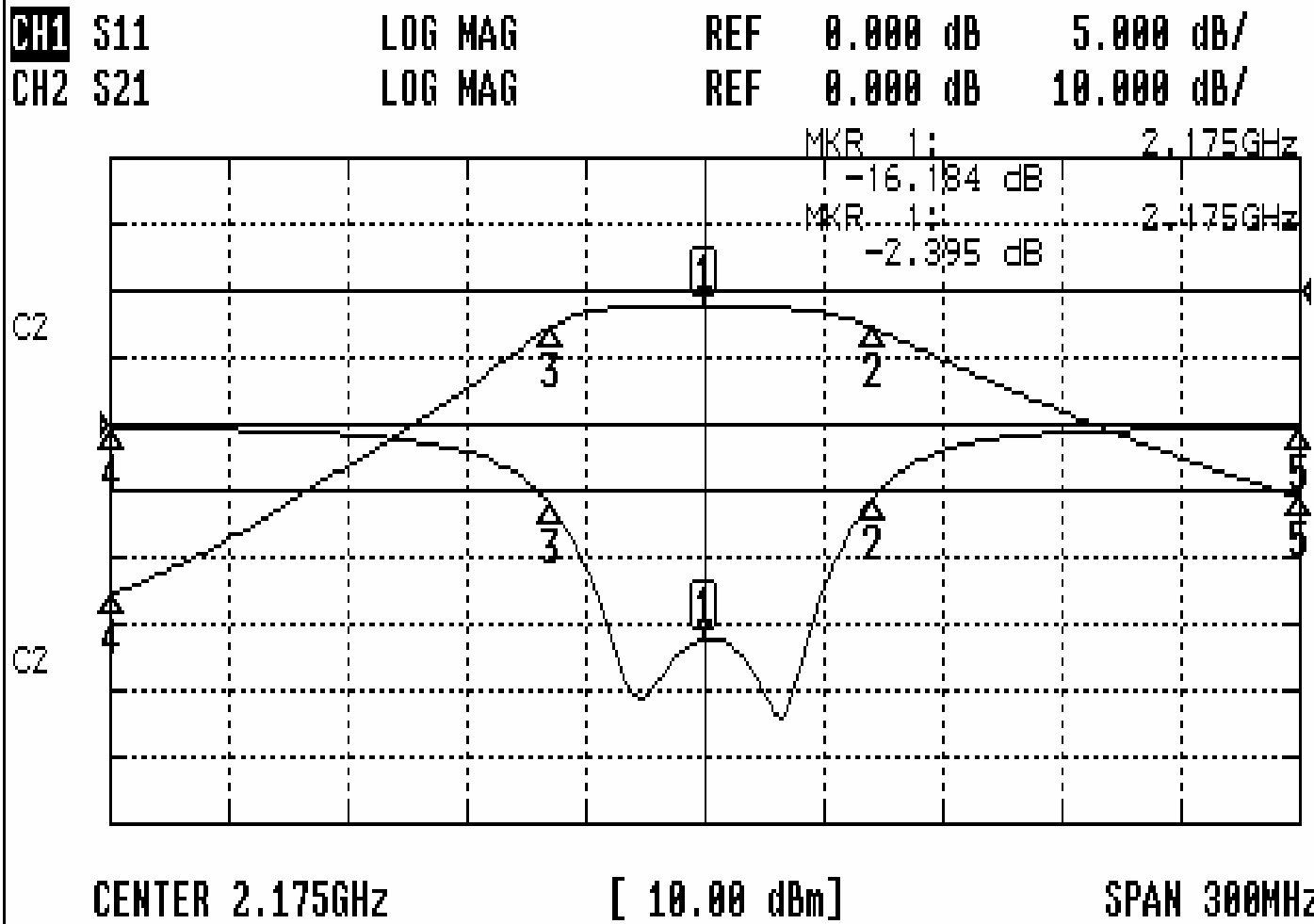


Approval	Supervisor	Designer	Aperture size
C.Y. Chang	C.S. Chang	C.S. Chang	5W3, 3.8*4.0 (4.11) 5HW046RB3.2

TEMWELL CORPORATION

# Performance-TTW3797B-2175M

## 0512051DC



### CH1 MARKER LIST

1	2.175	000GHz	-16.193	dB
2	2.217	000GHz	-5.714	dB
3	2.136	500GHz	-6.205	dB
4	2.025	000GHz	-0.314	dB
5	2.325	000GHz	-0.327	dB

### CH2 MARKER LIST

1	2.175	000GHz	-2.395	dB
2	2.217	000GHz	-5.421	dB
3	2.136	500GHz	-5.410	dB
4	2.025	000GHz	-45.441	dB
5	2.325	000GHz	-30.813	dB