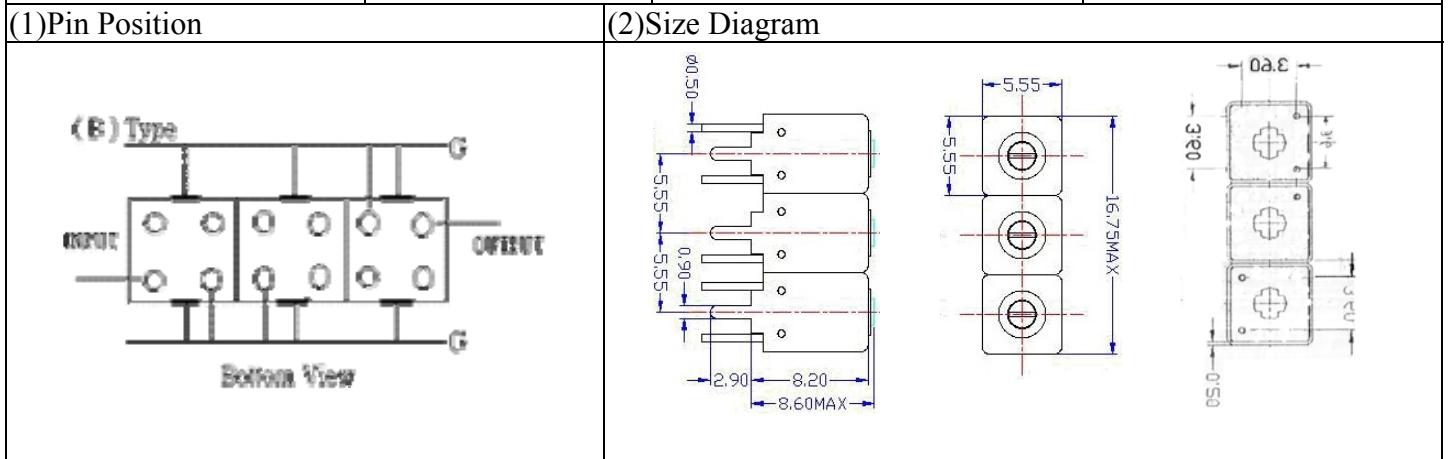


VHF UHF Helical Filter Specification Sheet

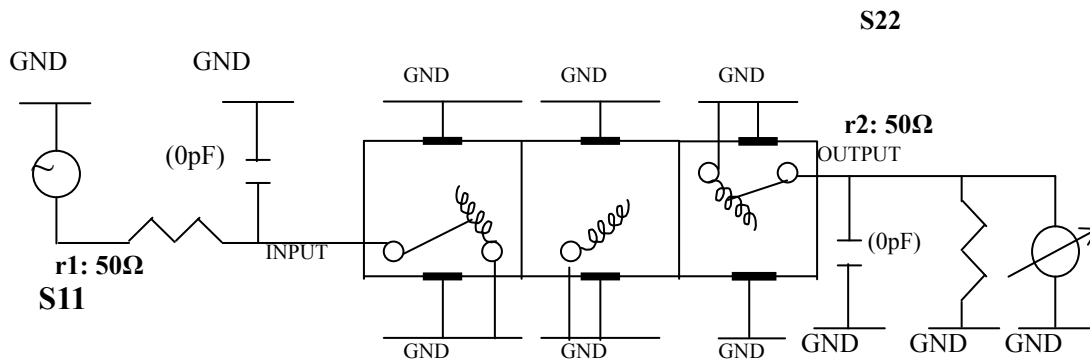
Customer Name		Temwell's Part No.	TTW3796B-2125M
Approval No. /dated	0512050APR	Acceptable Specify Fo Range	2101-2150 MHz
Work Instruction No.	0512050DC	Date	Feb.08.2006



Item		Specify		Performance	
Center Freq.(Fo) +/- 0.5 %		2125	MHz	2125	MHz
Tunable Range:		2125±5	MHz	2125±5	MHz
Insertion Loss		Typ. 3.5	dB	2.22	dB
-3 dB Bandwidth		Typ. 67	MHz	84.5	MHz
Sensitivity (Attenuation)	Fo - 150 MHz	Typ. 32	dBc	35	dBc
	Fo + 150 MHz	Typ. 20	dBc	23	dBc
	Fo - ()MHz	Typ.	dBc		dBc
	Fo + ()MHz	Typ.	dBc		dBc
Return Loss		Min. 12	dB	30.0	dB
Ripple		< 1	dB		dB
Impedance		In / Out : 50 Ω		In / Out : 50 Ω	
(4) Torque for Tuning Screw		> 60gf · cm			

(5) Temperature Condition:	
Operating Temperature	0°C ~ +60°C
Storage Temperature	-20°C ~ +70°C
(6) Input Power	> 0.5Watt

(7) Measuring Circuit: ※Easy to match Impedance S11/S22 50Ω by parallel with about(0pF) / (0pF).



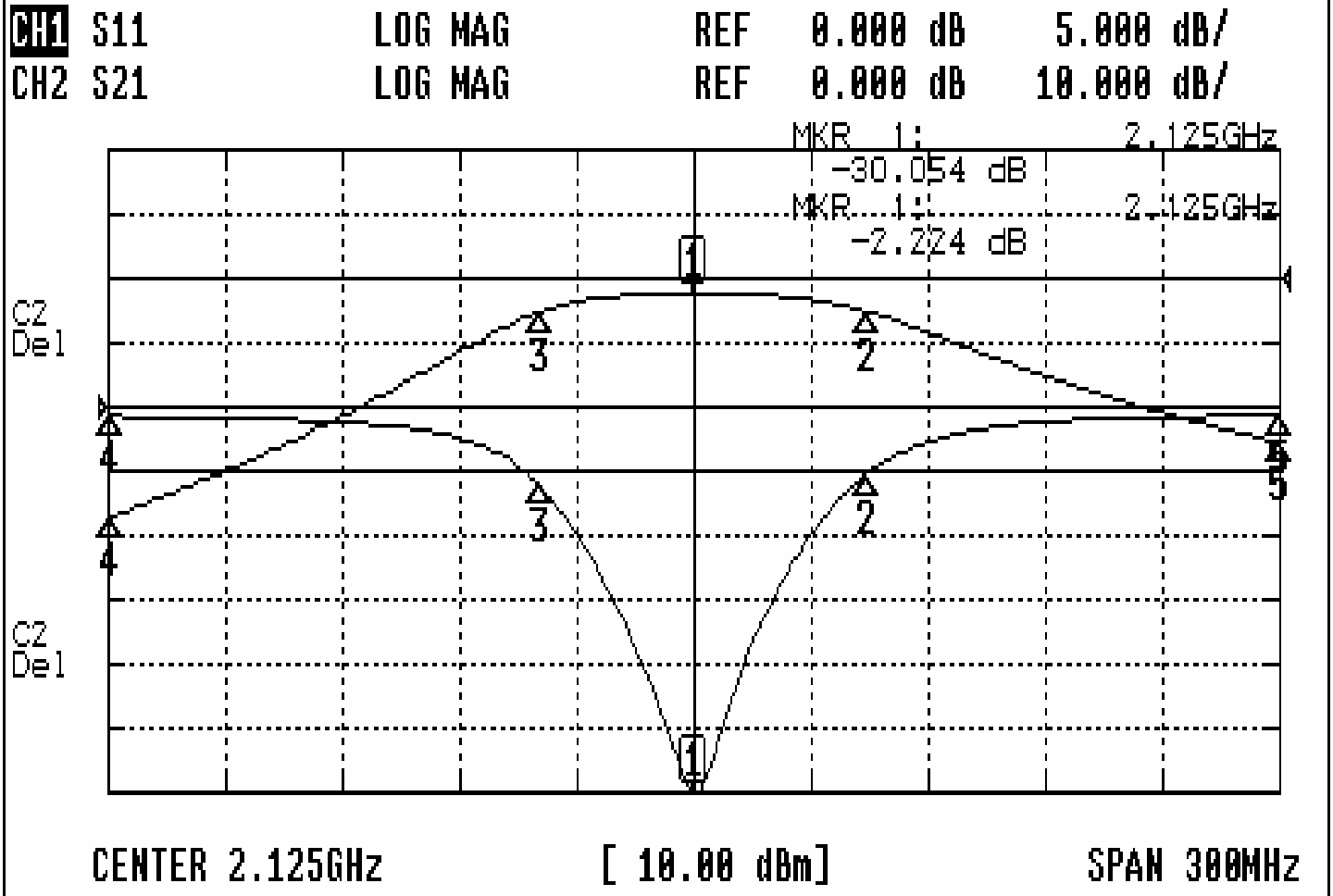
(Bottom View)

Approval	Supervisor	Designer	Aperture size
C.Y. Chang	C.S. Chang	C.S. Chang	5W3, 3.8*4.0 (4.26) 5HW046RB3.2

TEMWELL CORPORATION

Performance-TTW3796B-2125M

0512050DC



CH1 MARKER LIST

1	2.125	000GHz	-30.054	dB
2	2.169	750GHz	-5.110	dB
3	2.085	250GHz	-5.987	dB
4	1.975	000GHz	-0.718	dB
5	2.275	000GHz	-0.668	dB

CH2 MARKER LIST

1	2.125	000GHz	-2.223	dB
2	2.169	750GHz	-5.221	dB
3	2.085	250GHz	-5.213	dB
4	1.975	000GHz	-37.211	dB
5	2.275	000GHz	-25.444	dB