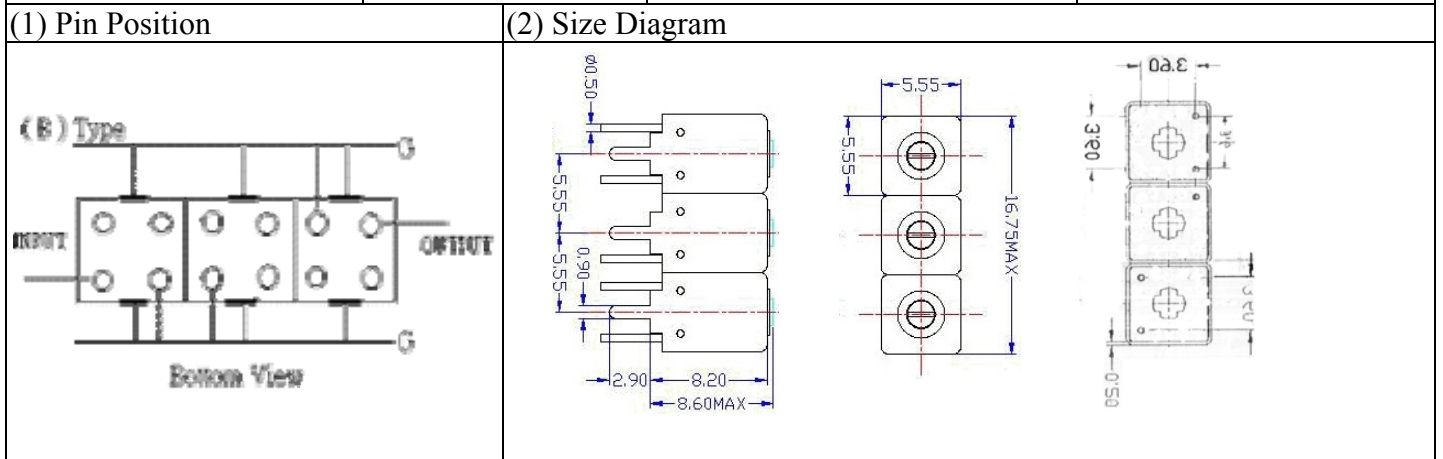


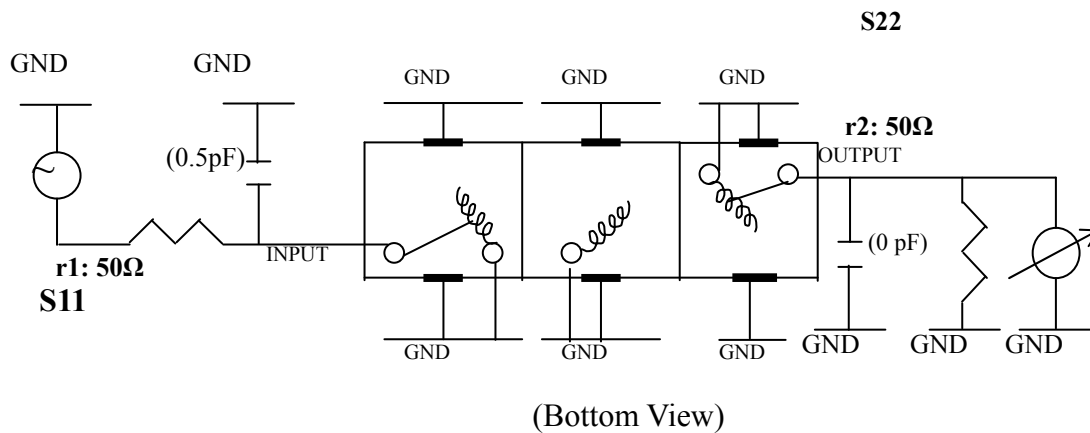
VHF UHF Helical Filter Specification Sheet

Customer Name		Temwell's Part No.	TTW3792B-1075M
Approval No. /dated	0512046APR	Acceptable Specify Fo Range	1051-1100 MHz
Work Instruction No.	0512046DC	Date	Jan.12.2006



(3) Electric Character		Item	Specify	Performance
Center Freq. (Fo) +/- 0.5 %			1075 MHz	1075 MHz
Tunable Range:			1075±5 MHz	1075±5 MHz
Insertion Loss		Typ.	2.5 dB	1.55 dB
-3 dB Bandwidth		Typ.	60 MHz	66.5 MHz
Sensitivity (Attenuation)	Fo - 100 MHz	Typ.	26 dBc	29 dBc
	Fo + 100 MHz	Typ.	16 dBc	19 dBc
	Fo - ()MHz	Typ.	dBc	dBc
	Fo +()MHz	Typ.	dBc	dBc
Return Loss		Min.	12 dB	16.9 dB
Ripple			< 1 dB	dB
Impedance			In / Out : 50 Ω	In / Out : 50 Ω
(4) Torque for Tuning Screw			> 60gf · cm	
(5) Temperature Condition:				
Operating Temperature			0°C ~ +60°C	
Storage Temperature			-20°C ~ +70°C	
(6) Input Power			> 0.5Watt	

(7) Measuring Circuit: ※Easy to match Impedance S11/S22 50Ω by parallel with about(0.5pF) / (0pF).



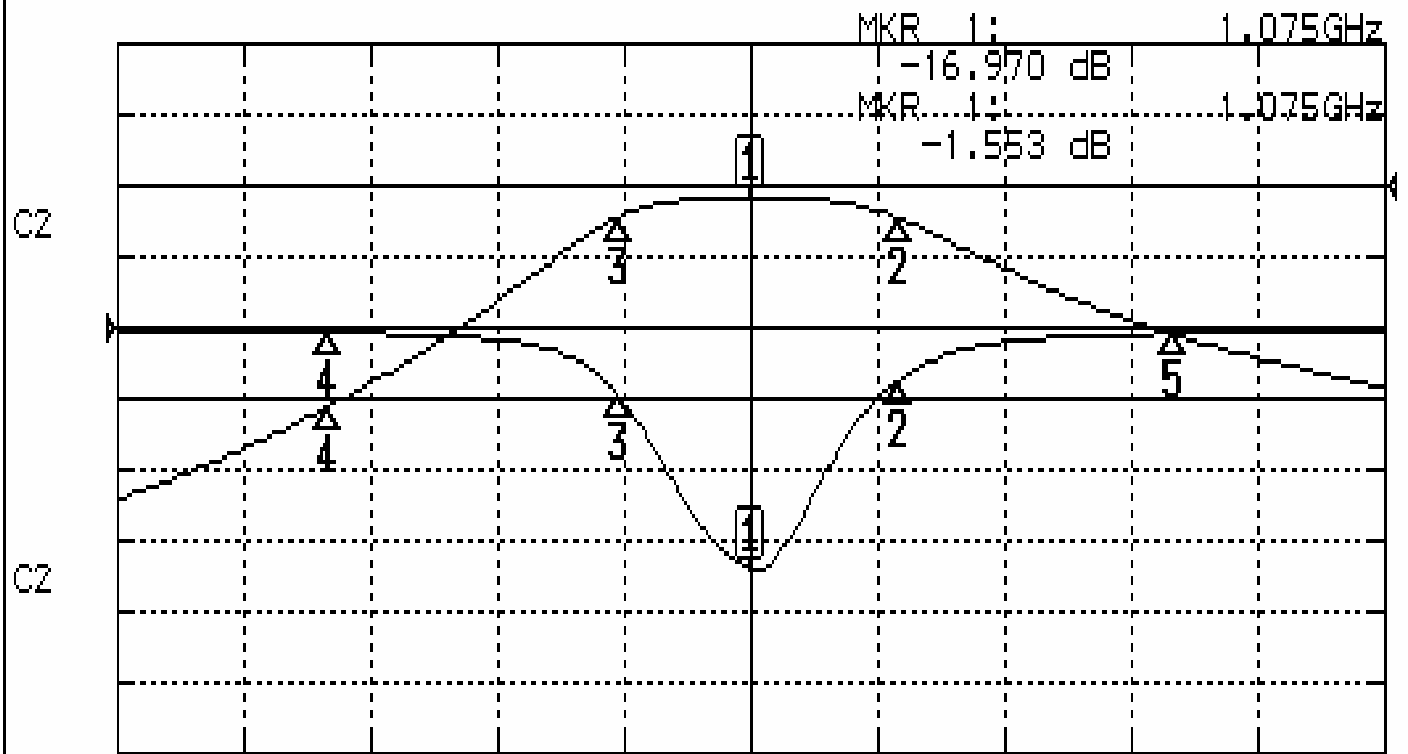
Approval	Supervisor	Designer	Aperture size
C.Y. Chang	C.S. Chang	C.S. Chang	5W3, 3.8*5.1 (5.12) 5HW046RB3.2

TEMWELL CORPORATION

Performance-TTW3792B-1075M

0512046DC

CH1 S11 LOG MAG REF 0.000 dB 5.000 dB/
CH2 S21 LOG MAG REF 0.000 dB 10.000 dB/



CENTER 1.075GHz

[10.00 dBm]

SPAN 300MHz

CH1 MARKER LIST

Marker	Frequency	Magnitude
1	1.075 000GHz	-16.970 dB
2	1.110 000GHz	-3.670 dB
3	1.043 500GHz	-4.701 dB
4	975.000MHz	-0.389 dB
5	1.175 000GHz	-0.414 dB
6		
7		
8		
9		
10		

CH2 MARKER LIST

Marker	Frequency	Magnitude
1	1.075 000GHz	-1.553 dB
2	1.110 000GHz	-4.573 dB
3	1.043 500GHz	-4.537 dB
4	975.000MHz	-31.104 dB
5	1.175 000GHz	-20.985 dB
6		
7		
8		
9		
10		