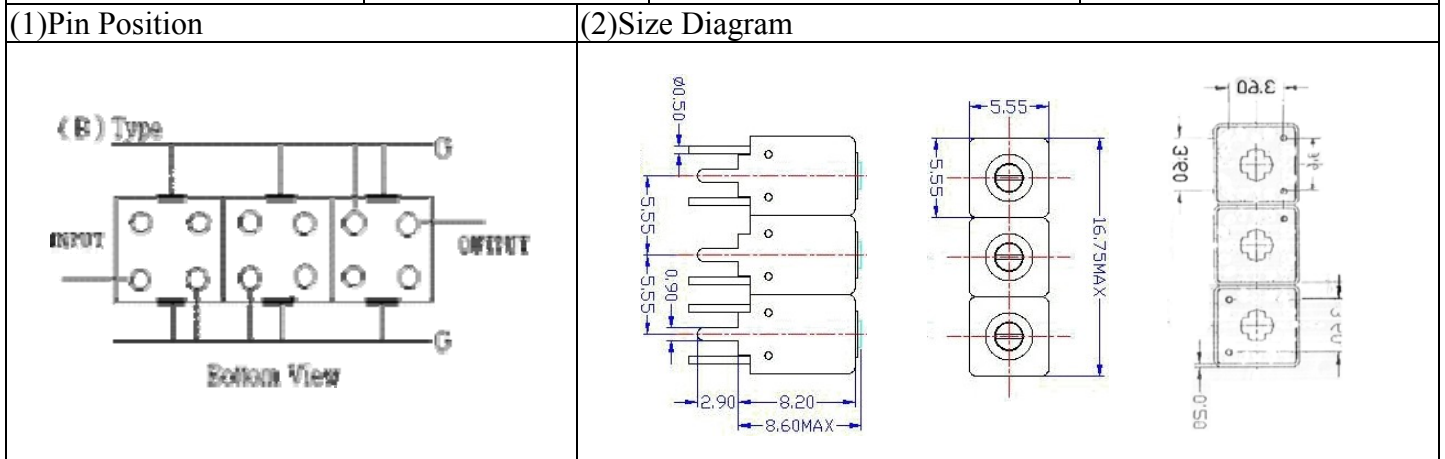


VHF UHF Helical Filter Specification Sheet

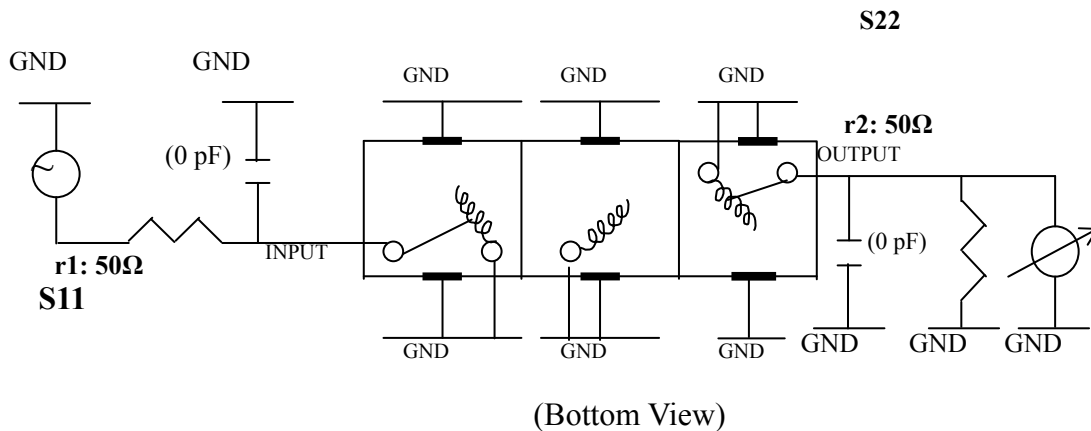
Customer Name		Temwell's Part No.	TTW3791B-1025M
Approval No. /dated	0512045APR	Acceptable Specify Fo Range	1001-1050 MHz
Work Instruction No.	0512045DC	Date	Jan.11.2006



(3) Electric Character		Item	Specify	Performance
Center Freq.(Fo) +/- 0.5 %			1025 MHz	1025 MHz
Tunable Range:			1025±5 MHz	1025±5 MHz
Insertion Loss		Typ.	3.0 dB	1.85 dB
-3 dB Bandwidth		Typ.	60 MHz	71.5 MHz
Sensitivity (Attenuation)	Fo - 100 MHz	Typ.	30 dBc	33 dBc
	Fo + 100 MHz	Typ.	17 dBc	20 dBc
	Fo - ()MHz	Typ.	dBc	dBc
	Fo +()MHz	Typ.	dBc	dBc
Return Loss		Min.	12 dB	21.6 dB
Ripple			< 1 dB	dB
Impedance			In / Out : 50 Ω	In / Out : 50 Ω

(4) Torque for Tuning Screw	> 60gf · cm
(5) Temperature Condition:	
Operating Temperature	0°C ~ +60°C
Storage Temperature	-20°C ~ +70°C
(6) Input Power	> 0.5Watt

(7) Measuring Circuit: ※Easy to match Impedance S11/S22 50Ω by parallel with about(0pF) / (0pF).

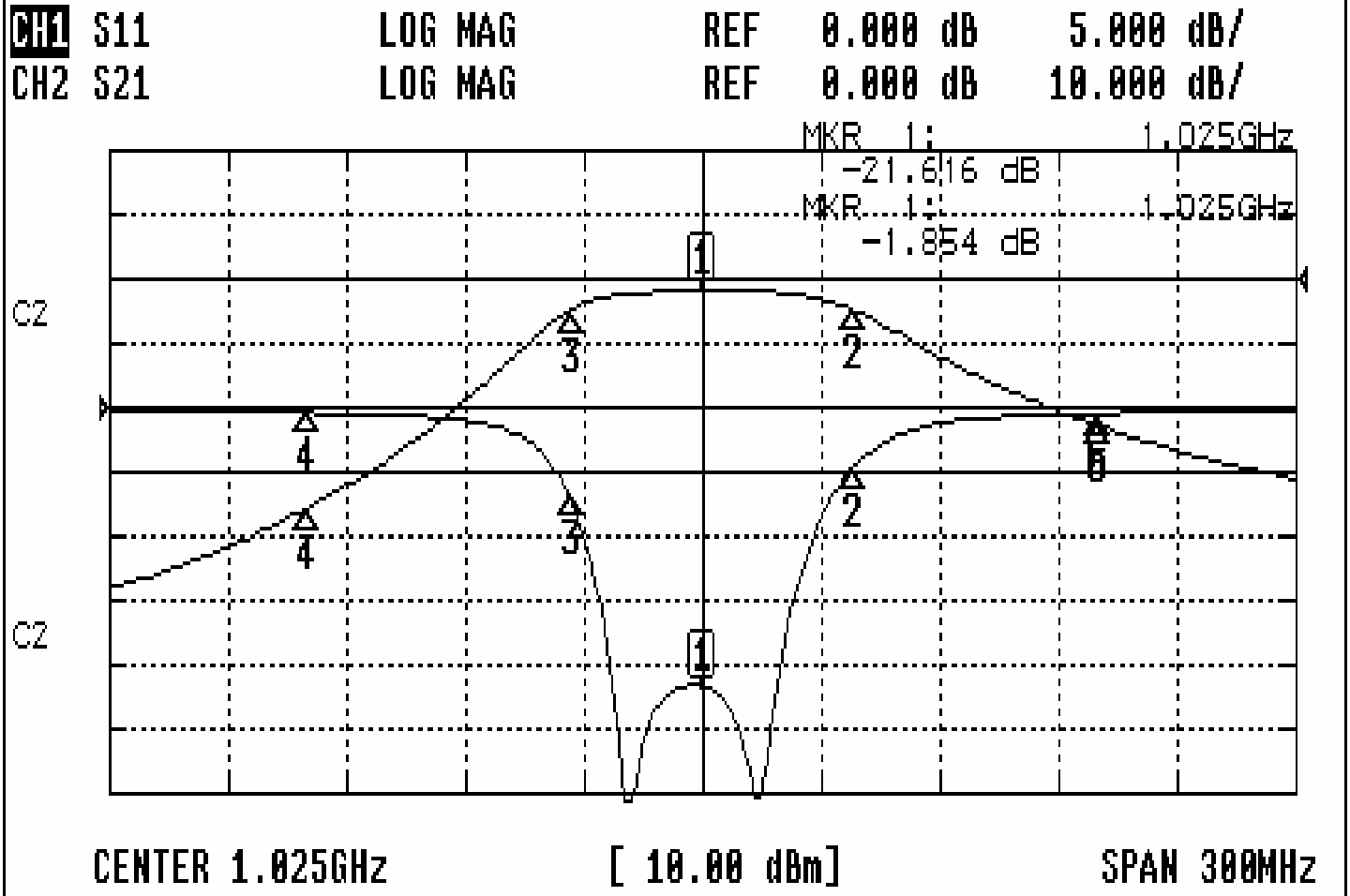


Approval	Supervisor	Designer	Aperture size
C.Y. Chang	C.S. Chang	C.S. Chang	5W3, 3.8*5.1 (5.12) 5HW046RB3.2

TEMWELL CORPORATION

Performance-TTW3791B-1025M

0512045DC



CH1 MARKER LIST

1:	1.025	000GHz	-21.616	dB
2:	1.063	000GHz	-4.661	dB
3:	991.500	MHz	-6.949	dB
4:	925.000	MHz	-0.422	dB
5:	1.125	000GHz	-0.461	dB

CH2 MARKER LIST

1:	1.025	000GHz	-1.854	dB
2:	1.063	000GHz	-4.866	dB
3:	991.500	MHz	-4.871	dB
4:	925.000	MHz	-35.572	dB
5:	1.125	000GHz	-22.776	dB