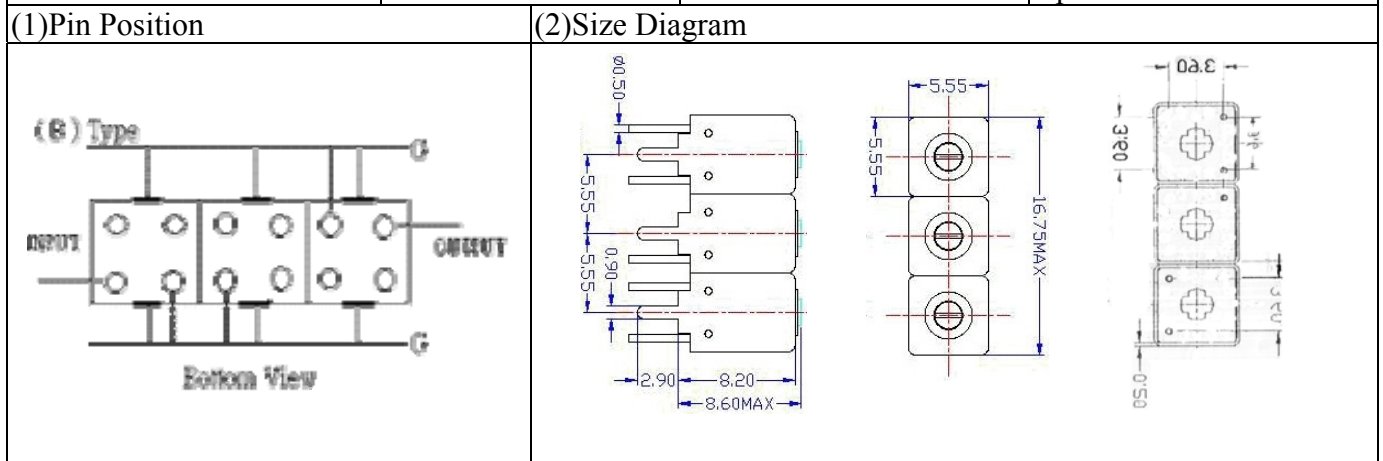


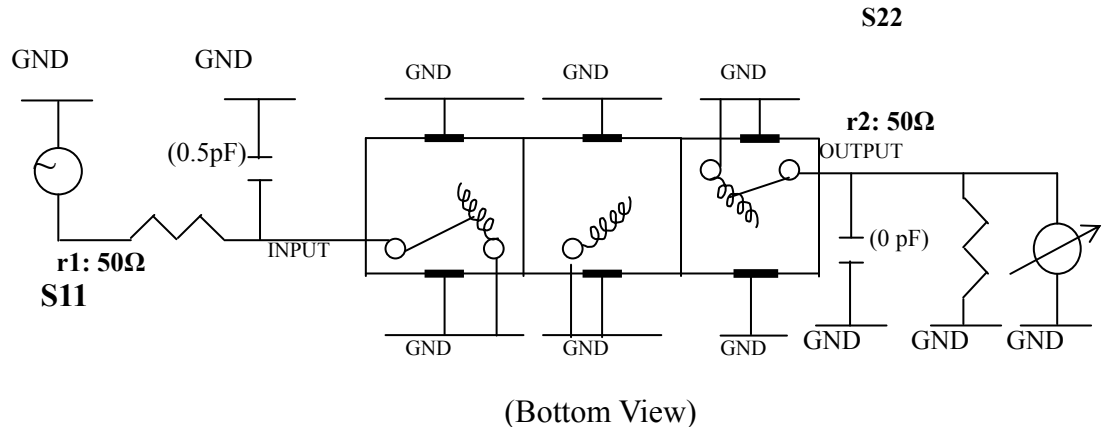
VHF UHF Helical Filter Specification Sheet

Customer Name		Temwell's Part No.	TTW3790B1-1000M
Approval No. /dated	0704011DC	Acceptable Fo Specify Range	951-1000 MHz
Work Instruction No.	0704011DC	Date	Apr.17.2007



(3) Electric Character			
Item		Specify	Performance
Center Freq.(Fo) +/- 0.5 %		1000 MHz	1000 MHz
Tunable Range:		1000±5 MHz	1000±5 MHz
Insertion Loss		Typ. 2.0 dB	1.12 dB
-1 dB Bandwidth		Typ. 50 MHz	57.5 MHz
-3 dB Bandwidth		Typ. 53 MHz	59 MHz
Sensitivity (Attenuation)	Fo - 150 MHz	Typ. 40 dBc	43 dBc
	Fo + 150 MHz	Typ. 27 dBc	30 dBc
	Fo - ()MHz	Typ. dBc	dBc
	Fo + ()MHz	Typ. dBc	dBc
Return Loss		Min. 12 dB	17.0 dB
Ripple		< 1 dB	dB
Impedance		In / Out : 50 Ω	In / Out : 50 Ω
(4) Torque for Tuning Screw		> 60gf · cm	
(5) Temperature Condition:			
Operating Temperature		0°C ~ +60°C	
Storage Temperature		-20°C ~ +70°C	
(6) Input Power		> 0.5Watt	

(7) Measuring Circuit: ※ Easy to match Impedance S11/S22 50Ω by parallel with about(0.5pF) / (0pF).

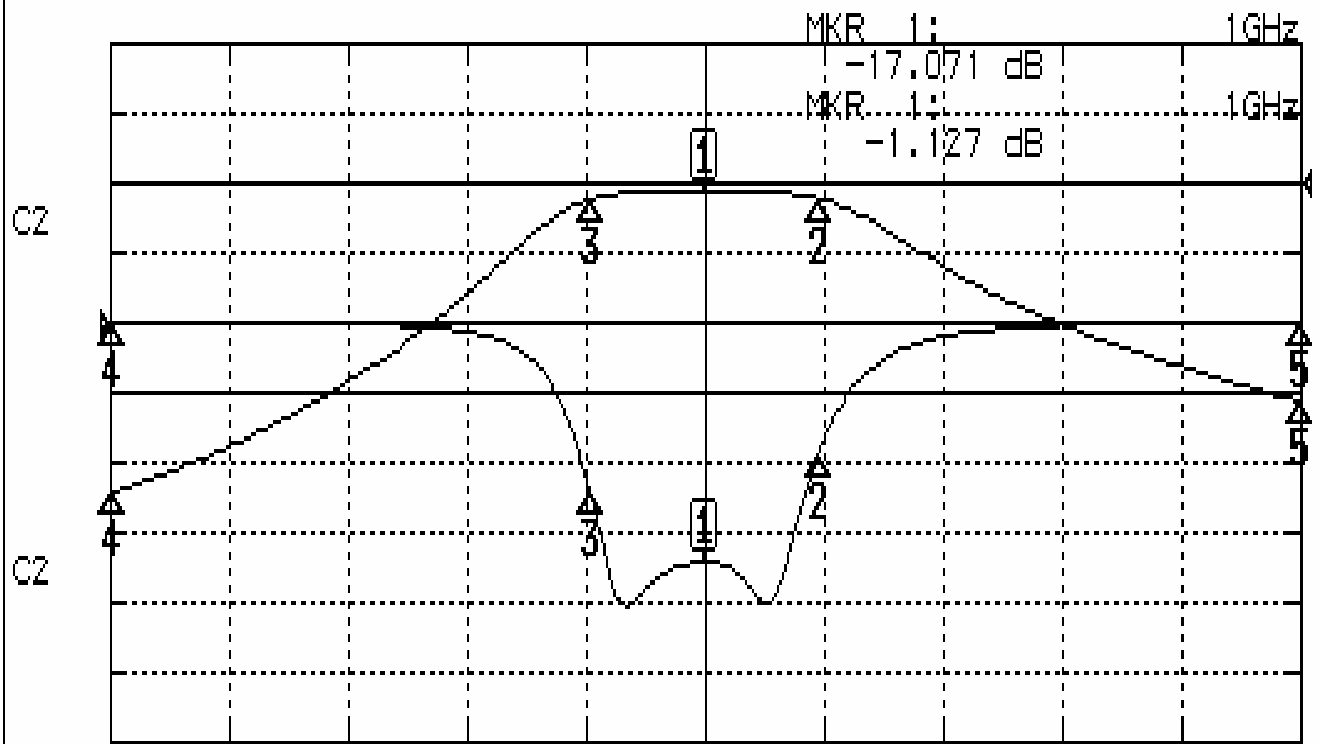


Approval	Supervisor	Designer	Aperture size
C.Y.Chang	C.S.Chang	C.S.Chang	5W3(3.8*4.0)(4.12) 5HW046RB4
TEMWELL CORPORATION			

Performance-TTW3790B1-1000M

0704011DC

CH1 S11 LOG MAG REF 0.000 dB 5.000 dB/
CH2 S21 LOG MAG REF 0.000 dB 10.000 dB/



CENTER 1GHz

[10.00 dBm]

SPAN 300MHz

CH1 MARKER LIST

Marker	Frequency	Magnitude
1	1.000 000GHz	-17.071 dB
2	1.028 750GHz	-9.347 dB
3	971.250MHz	-12.144 dB
4	850.000MHz	0.070 dB
5	1.150 000GHz	0.118 dB

CH2 MARKER LIST

Marker	Frequency	Magnitude
1	1.000 000GHz	-1.127 dB
2	1.028 750GHz	-2.154 dB
3	971.250MHz	-2.140 dB
4	850.000MHz	-44.197 dB
5	1.150 000GHz	-31.308 dB