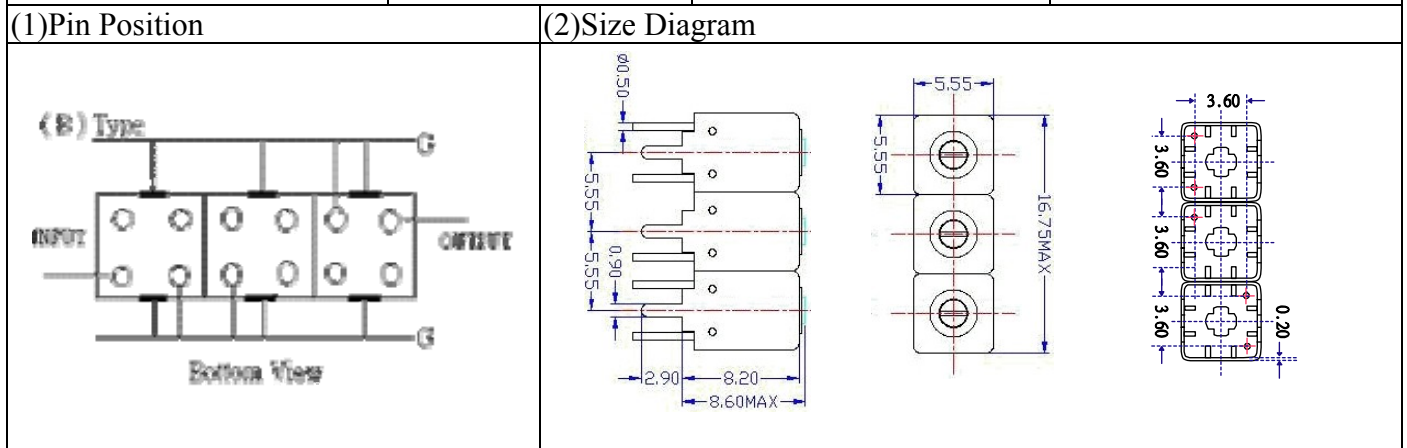


VHF UHF Helical Filter Specification Sheet

Customer Name		Temwell's Part No.	TTW3790B-975M
Approval No. /dated	201407160CD	Temwell's Print Name.	3790B 975M
Work Instruction No.	201407160CD	Date	Oct.17.2014



(3) Electric Character			
Item		Specify	Performance
Center Freq.(Fo) +/- 0.5 %		975 MHz	975 MHz
Insertion Loss		Typ. 3.0 dB	1.47 dB
-3 dB Bandwidth		Typ. 60 MHz	66.7 MHz
Sensitivity (Attenuation)	Fo - 100 MHz	Typ. 32 dBc	35 dBc
	Fo + 100 MHz	Typ. 22 dBc	25 dBc
	Fo - ()MHz	Typ. dBc	dBc
	Fo +()MHz	Typ. dBc	dBc
Return Loss		Min. 12 dB	20.8 dB
Ripple		< 1 dB	dB
Impedance		In / Out : 50 Ω	In / Out : 50 Ω

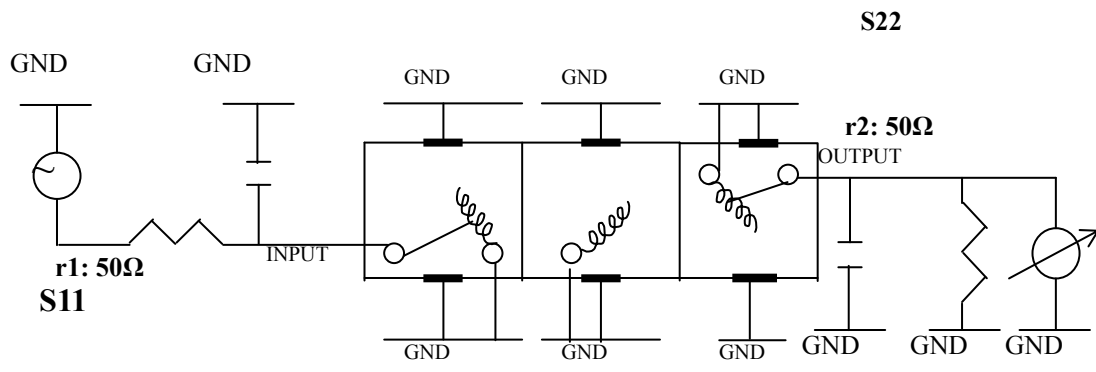
(4) Torque for Tuning Screw > 60gf · cm

(5) Temperature Condition:

Operating Temperature	0°C ~ +60°C
Storage Temperature	-20°C ~ +70°C

(6) Input Power > 0.5Watt

(7) Measuring Circuit: ※Easy to match Impedance S11/S22 50Ω by parallel with about(--) / (--).



(Bottom View)

Approval	Supervisor	Designer	Aperture size
C.Y.Chang	C.K.Chang	F.L.Lai	5W3S(3.8*4.5)(4.55) 5HW046RB3.2

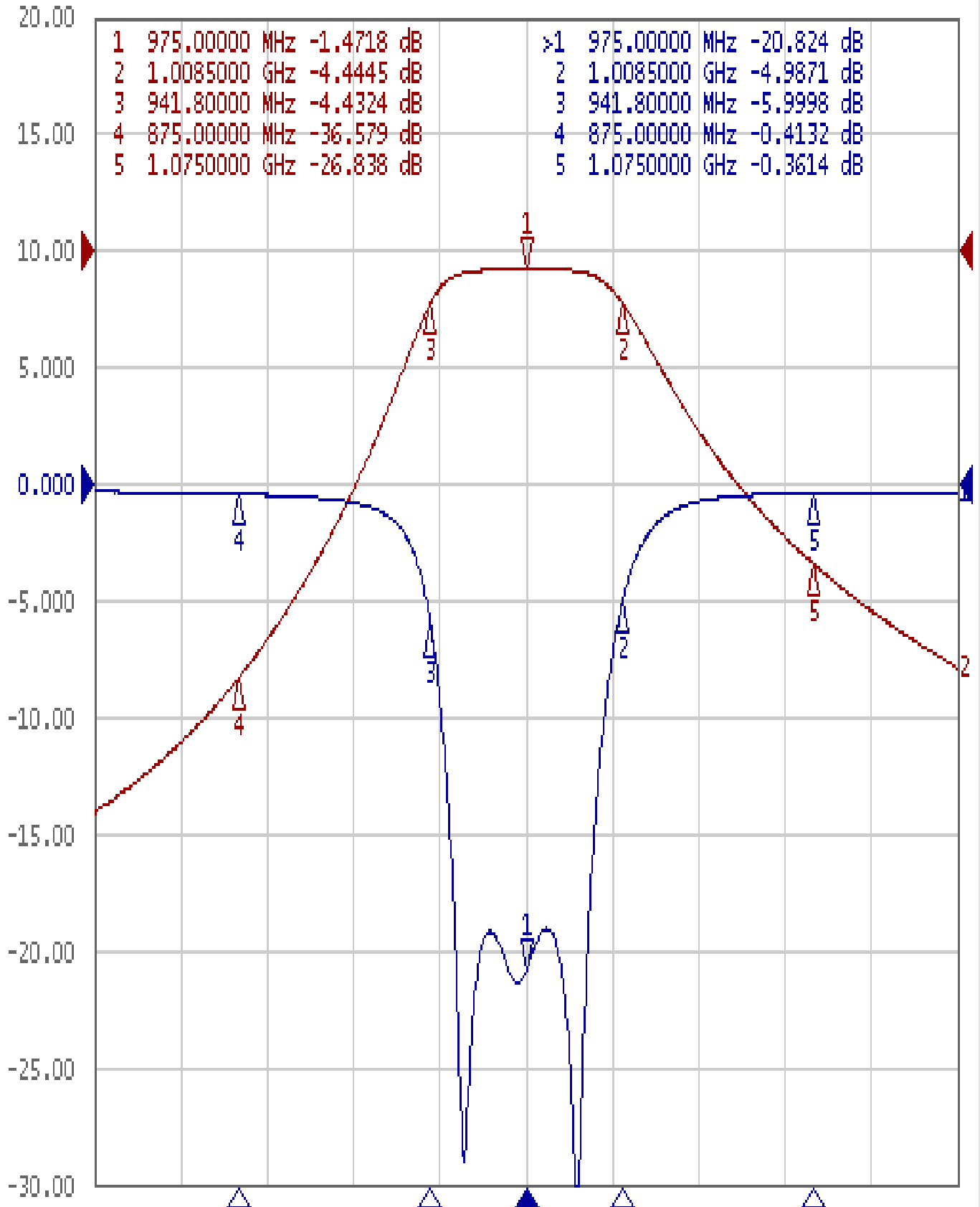
TEMWELL CORPORATION

Performance-TTW3790B-975M

201407160CD

Tr1 S11 Log Mag 5.000dB/ Ref 0.000dB [F2]

Tr2 S21 Log Mag 10.00dB/ Ref 0.000dB [F2]



1 Center 975 MHz

IFBW 10 kHz

Span 300 MHz

Cor !