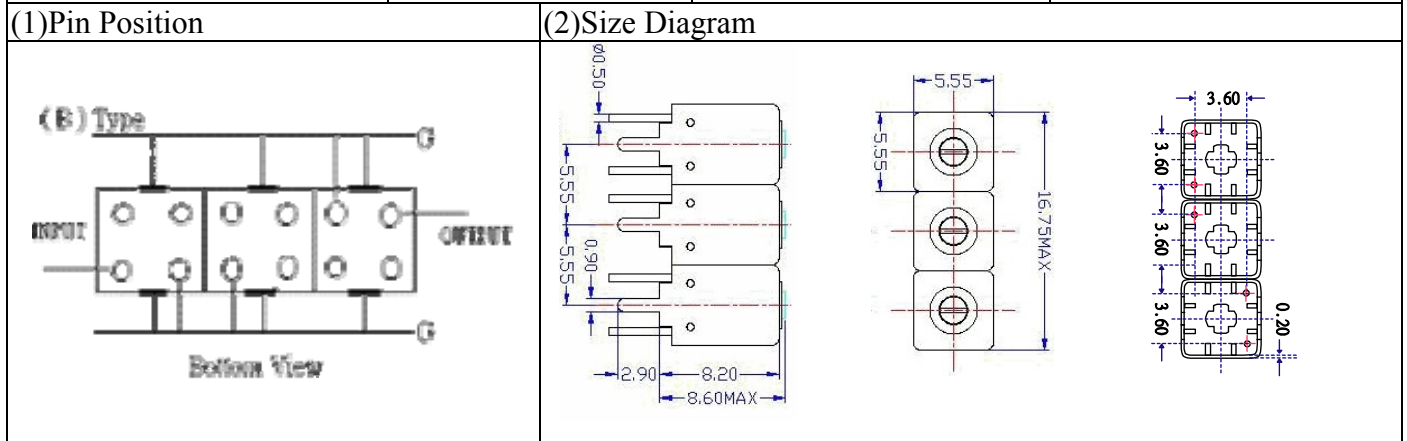


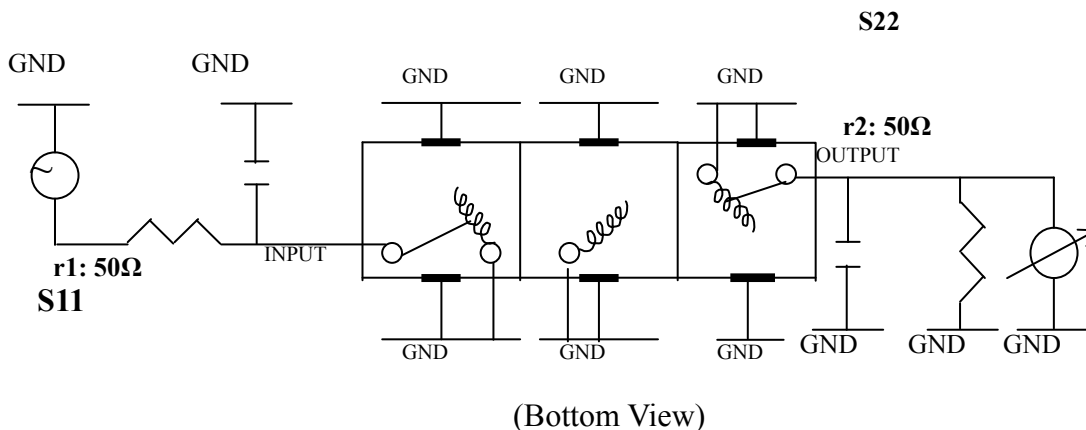
VHF UHF Helical Filter Specification Sheet

Customer Name		Temwell's Part No.	TTW3789B-925M
Approval No. /dated	201407163CD	Temwell's Print Name.	3789B 925M
Work Instruction No.	201407163CD	Date	Nov.28.2014



(3) Electric Character			
Item		Specify	Performance
Center Freq.(Fo) +/- 0.5 %		925 MHz	925 MHz
Insertion Loss		Typ. 2.5 dB	1.27 dB
-3 dB Bandwidth		Typ. 60 MHz	66.0 MHz
Sensitivity (Attenuation)	Fo -100 MHz	Typ. 35 dBc	38 dBc
	Fo +100 MHz	Typ. 21 dBc	24 dBc
	Fo - ()MHz	Typ. dBc	dBc
	Fo +()MHz	Typ. dBc	dBc
Return Loss		Min. 12 dB	21.5 dB
Ripple		< 1 dB	dB
Impedance		In / Out : 50 Ω	In / Out : 50 Ω
(4) Torque for Tuning Screw		> 60gf · cm	
(5) Temperature Condition:			
Operating Temperature		0°C ~ +60°C	
Storage Temperature		-20°C ~ +70°C	
(6) Input Power		> 0.5Watt	

(7) Measuring Circuit: ※Easy to match Impedance S11/S22 50Ω by parallel with about(- -).



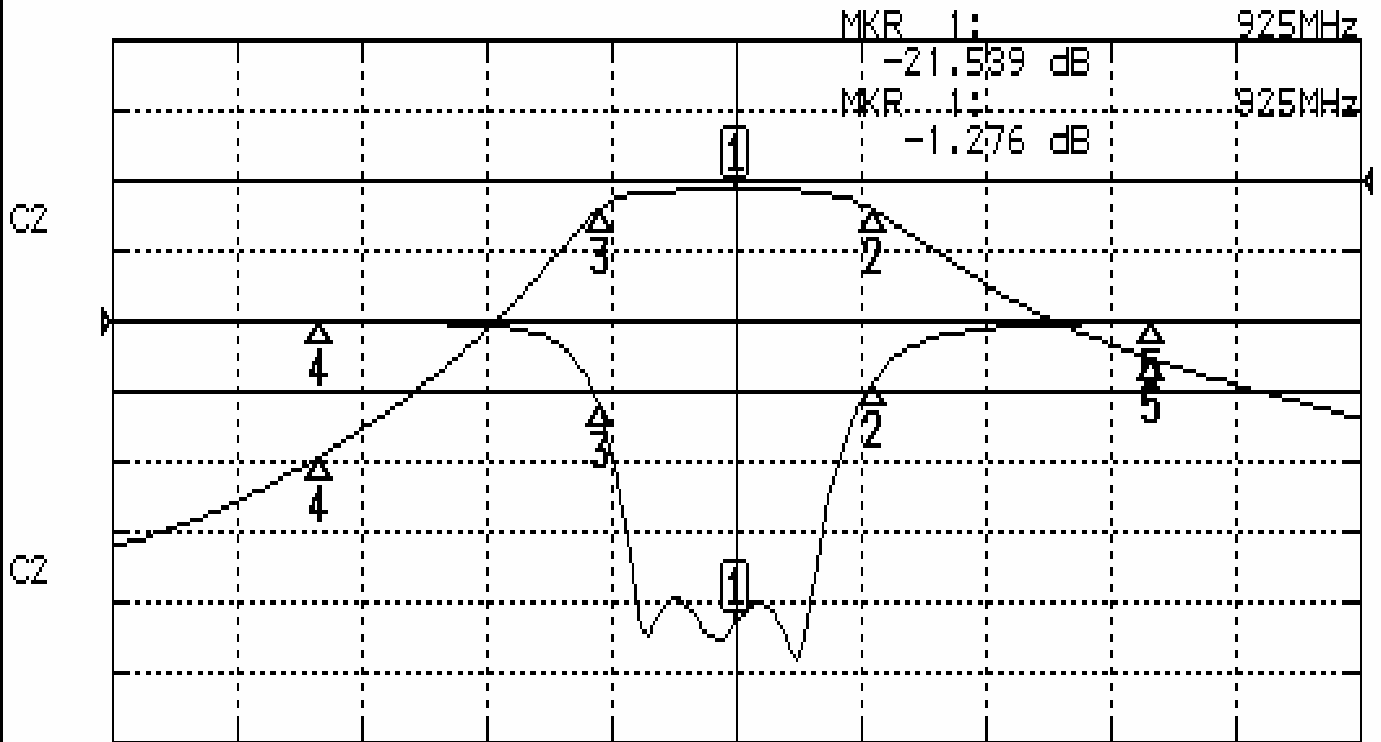
Approval	Supervisor	Designer	Aperture size
C.Y.Chang	C.k.Chang	H W.Lin	5W3S(3.8*5.1)(5.10) 5HW046RB3.2

TEMWELL CORPORATION

Performance-TTW3789B-925M

201407163CD

CH1	S11	LOG MAG	REF	0.000 dB	5.000 dB/
CH2	S21	LOG MAG	REF	0.000 dB	10.000 dB/



CENTER 925MHz

[10.00 dBm]

SPAN 300MHz

CH1 MARKER LIST

1:	925.000MHz	-21.539	dB
2:	958.000MHz	-4.314	dB
3:	992.000MHz	-5.966	dB
4:	825.000MHz	-0.005	dB
5:	1.025 000GHz	-0.036	dB

CH2 MARKER LIST

1:	925.000MHz	-1.276	dB
2:	958.000MHz	-4.236	dB
3:	992.000MHz	-4.220	dB
4:	825.000MHz	-39.276	dB
5:	1.025 000GHz	-25.368	dB