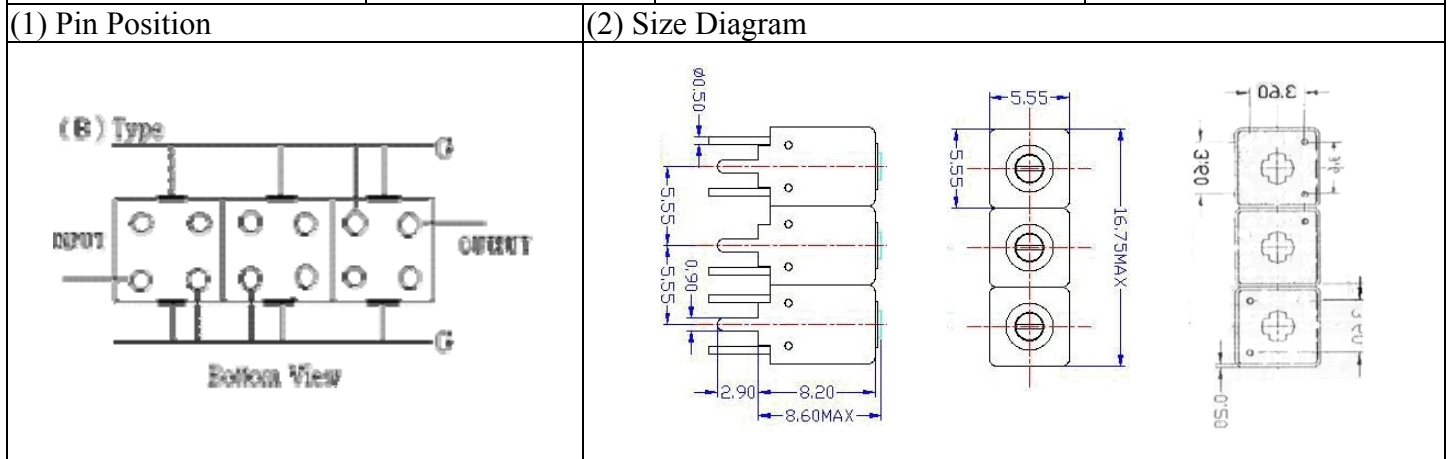


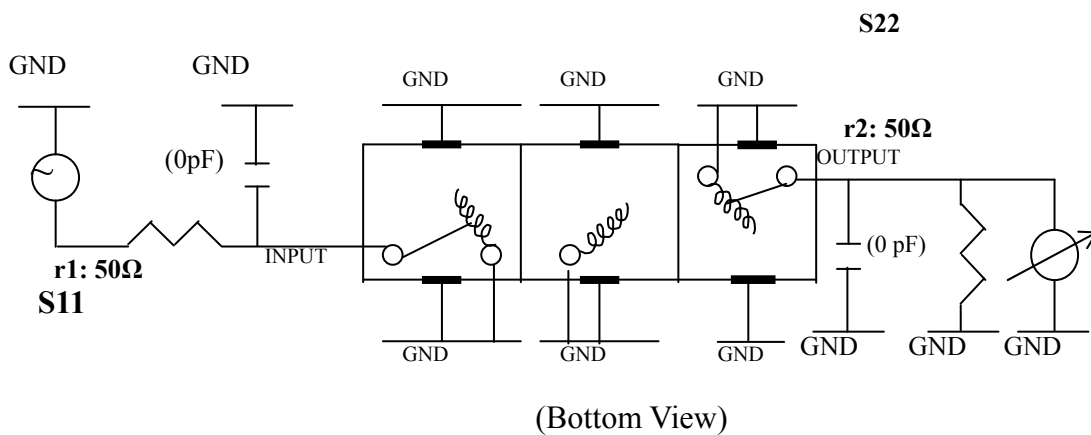
# VHF UHF Helical Filter Specification Sheet

Customer Name		Temwell's Part No.	TTW3786B-1175M
Approval No. /dated	0512040APR	Acceptable Specify Fo Range	1151-1200 MHz
Work Instruction No.	0512040DC	Date	Jan.16.2006



(3) Electric Character		Item	Specify	Performance
Center Freq.(Fo ) +/- 0.5 %			1175 MHz	1175 MHz
Tunable Range:			1175±5 MHz	1175±5 MHz
Insertion Loss		Typ.	2.5 dB	1.43 dB
-3 dB Bandwidth		Typ.	52 MHz	62.0 MHz
Sensitivity (Attenuation)	Fo - 100 MHz	Typ.	26 dBc	29 dBc
	Fo + 100 MHz	Typ.	14 dBc	17 dBc
	Fo - ( )MHz	Typ.	dBc	dBc
	Fo +( )MHz	Typ.	dBc	dBc
Return Loss		Min.	12 dB	24.7 dB
Ripple			< 1 dB	dB
Impedance			In / Out : 50 Ω	In / Out : 50 Ω
(4) Torque for Tuning Screw			> 60gf · cm	
(5) Temperature Condition:				
Operating Temperature			0°C ~ +60°C	
Storage Temperature			-20°C ~ +70°C	
(6) Input Power			> 0.5Watt	

(7) Measuring Circuit: ※Easy to match Impedance S11/S22 50Ω by parallel with about(0pF) / (0pF).

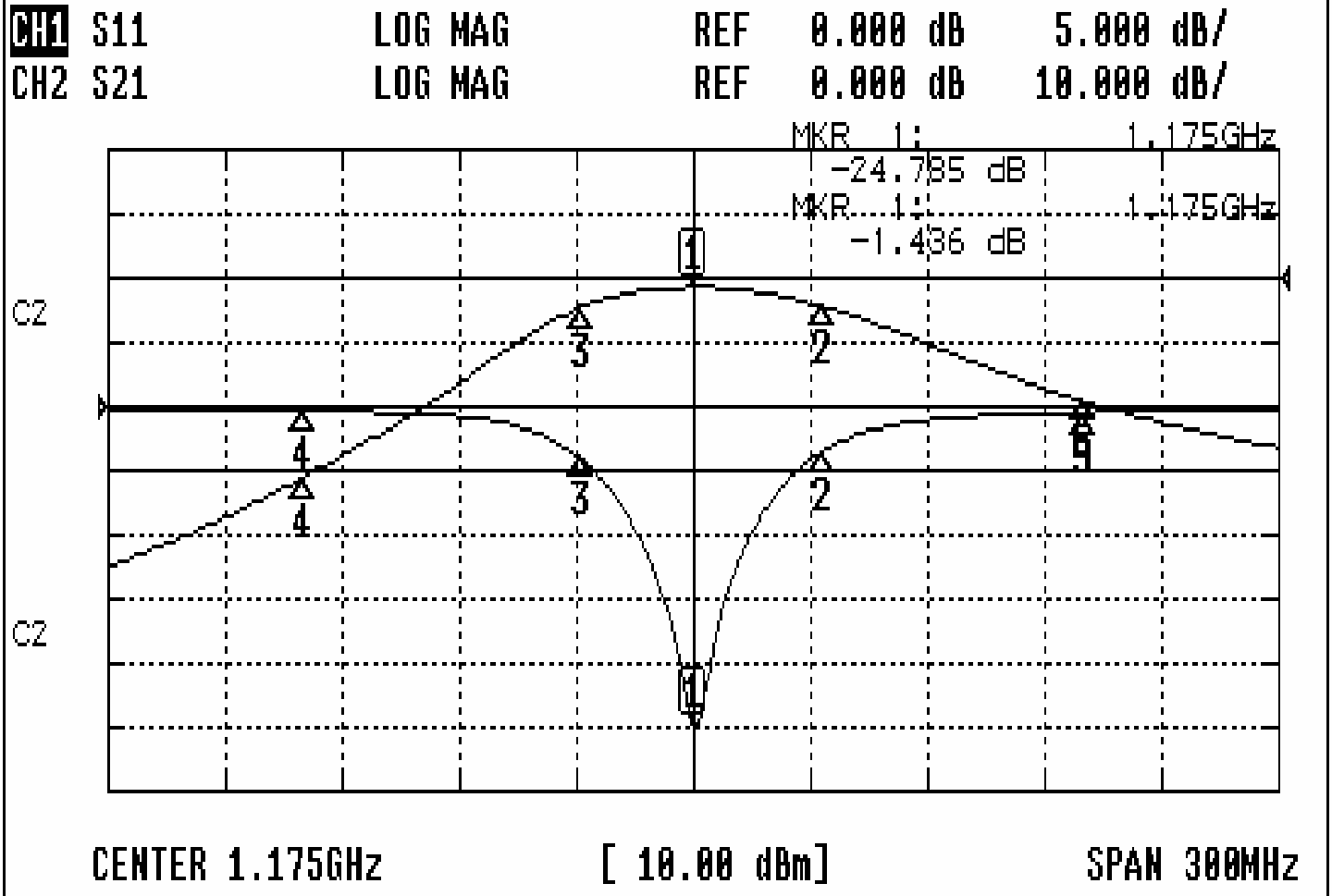


Approval	Supervisor	Designer	Aperture size
C.Y. Chang	C.S. Chang	C.S. Chang	5W3, 3.8*5.1 (5.12) 5HW046RB3.2

TEMWELL CORPORATION

# Performance-TTW3786B-1175M

## 0512040DC



### CH1 MARKER LIST

1:	1.175	000GHz	-24.785	dB
2:	1.208	250GHz	-3.457	dB
3:	1.146	250GHz	-4.068	dB
4:	1.075	000GHz	-0.349	dB
5:	1.275	000GHz	-0.453	dB

### CH2 MARKER LIST

1:	1.175	000GHz	-1.436	dB
2:	1.208	250GHz	-4.434	dB
3:	1.146	250GHz	-4.438	dB
4:	1.075	000GHz	-31.002	dB
5:	1.275	000GHz	-19.158	dB