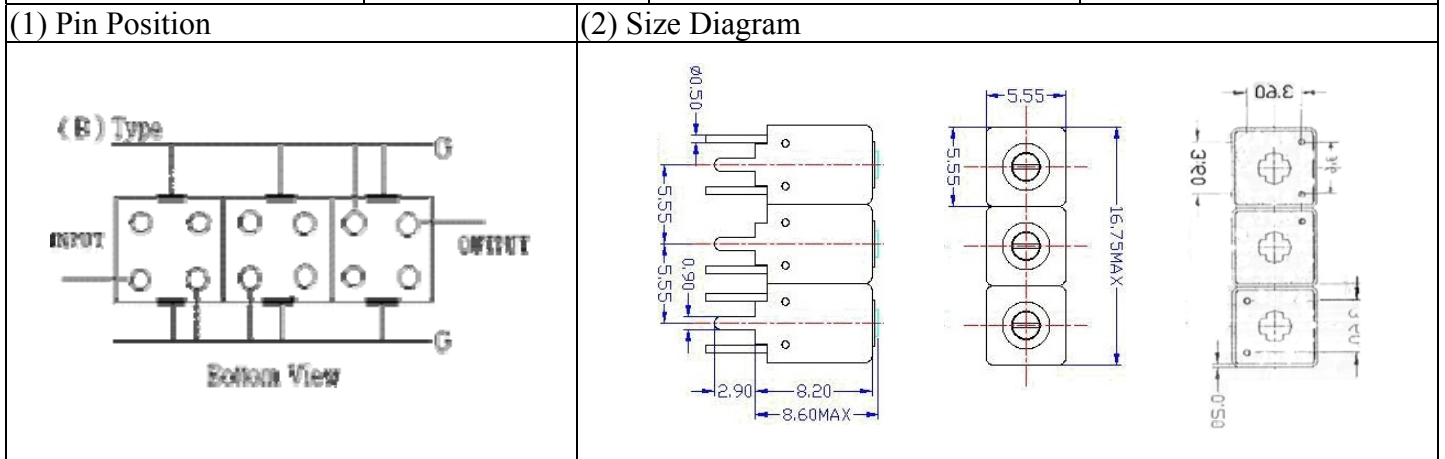


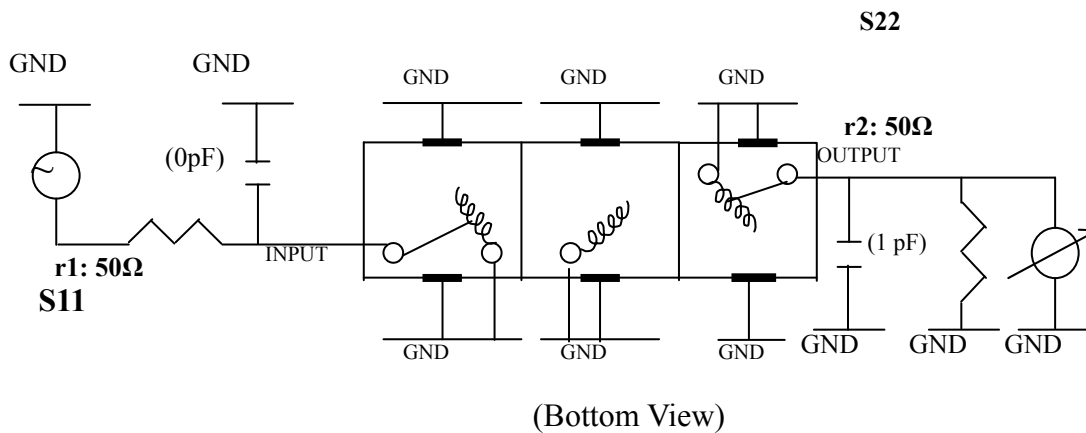
# VHF UHF Helical Filter Specification Sheet

Customer Name		Temwell's Part No.	TTW3784B-1075M
Approval No. /dated	0512038APR	Acceptable Specify Fo Range	1051-1100 MHz
Work Instruction No.	0512038DC	Date	Jan.12.2006



Item		Specify	Performance
Center Freq. (Fo) +/- 0.5 %		1075 MHz	1075 MHz
Tunable Range:		1075±5 MHz	1075±5 MHz
Insertion Loss		Typ. 3.0 dB	2.22 dB
-3 dB Bandwidth		Typ. 55 MHz	60.0 MHz
Sensitivity (Attenuation)	Fo - 100 MHz	Typ. 30 dBc	33 dBc
	Fo + 100 MHz	Typ. 18 dBc	21 dBc
	Fo - ( )MHz	Typ. dBc	dBc
	Fo +( )MHz	Typ. dBc	dBc
Return Loss		Min. 12 dB	21.1 dB
Ripple		< 1 dB	dB
Impedance		In / Out : 50 Ω	In / Out : 50 Ω
(4) Torque for Tuning Screw		> 60gf · cm	
(5) Temperature Condition:			
Operating Temperature		0°C ~ +60°C	
Storage Temperature		-20°C ~ +70°C	
(6) Input Power		> 0.5Watt	

(7) Measuring Circuit: ※Easy to match Impedance S11/S22 50Ω by parallel with about(0pF) / (1pF).



Approval	Supervisor	Designer	Aperture size
C.Y. Chang	C.S. Chang	C.S. Chang	5W3, 3.8*4.5 (4.60) 5HW046RB3.2

TEMWELL CORPORATION

TEMWELL

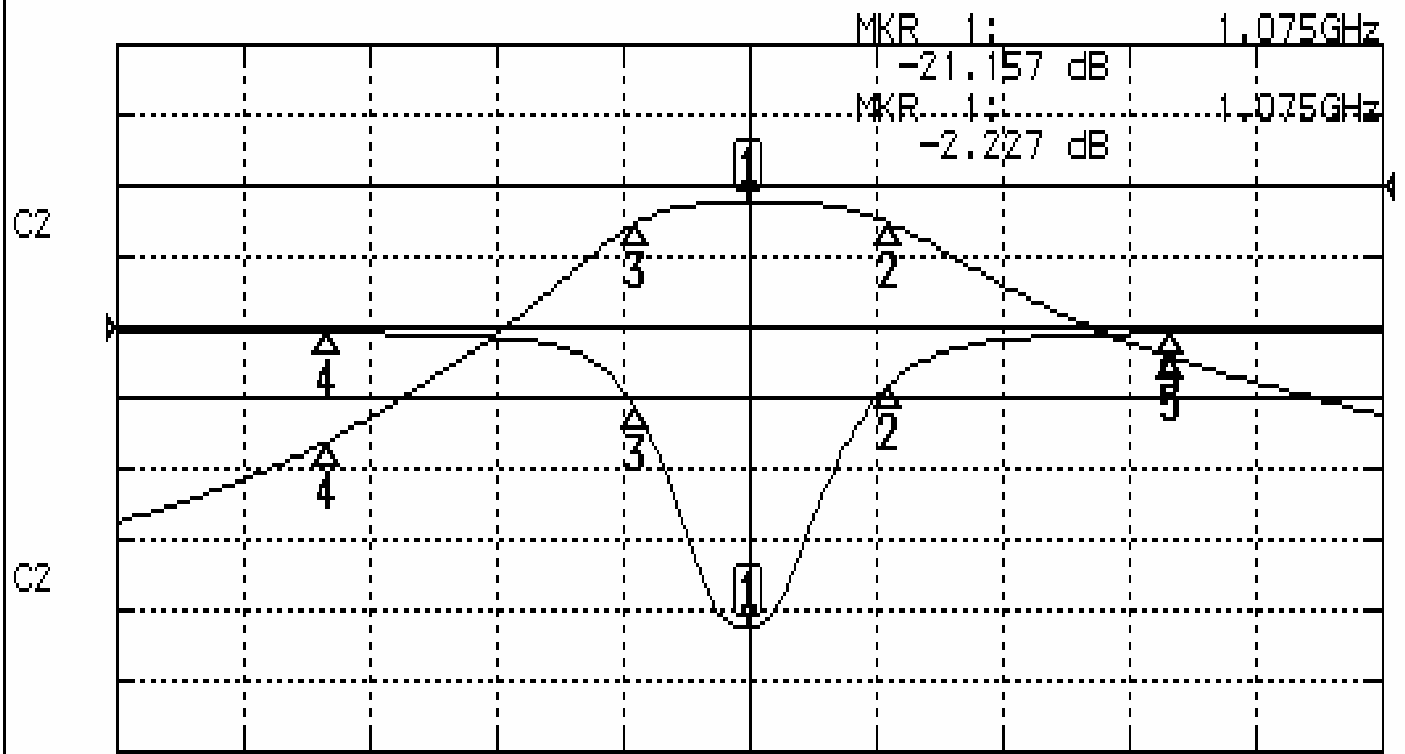
Form10-5W3B Vision D

RP: C.S. Chang

# Performance-TTW3784B-1075M

## 0512038DC

CH1 S11 LOG MAG REF 0.000 dB 5.000 dB/  
CH2 S21 LOG MAG REF 0.000 dB 10.000 dB/



CENTER 1.075GHz

[ 10.00 dBm ]

SPAN 300MHz

### CH1 MARKER LIST

1:	1.075 000GHz	-21.160 dB
2:	1.108 250GHz	-4.053 dB
3:	1.048 250GHz	-5.718 dB
4:	975.000MHz	-0.400 dB
5:	1.175 000GHz	-0.397 dB

### CH2 MARKER LIST

1:	1.075 000GHz	-2.227 dB
2:	1.108 250GHz	-5.253 dB
3:	1.048 250GHz	-5.260 dB
4:	975.000MHz	-36.065 dB
5:	1.175 000GHz	-24.267 dB