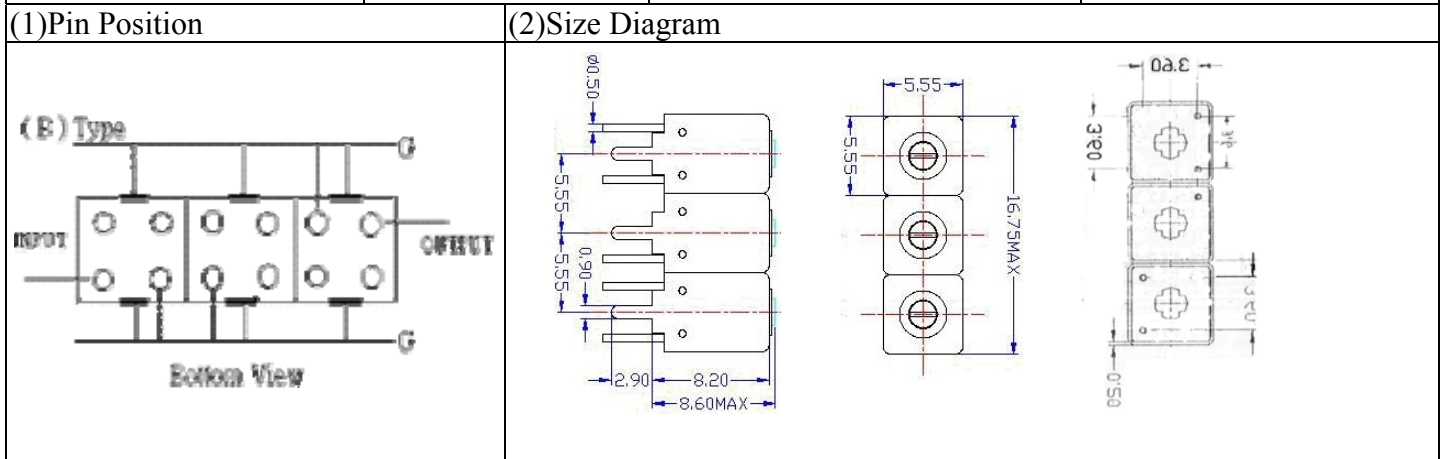


VHF UHF Helical Filter Specification Sheet

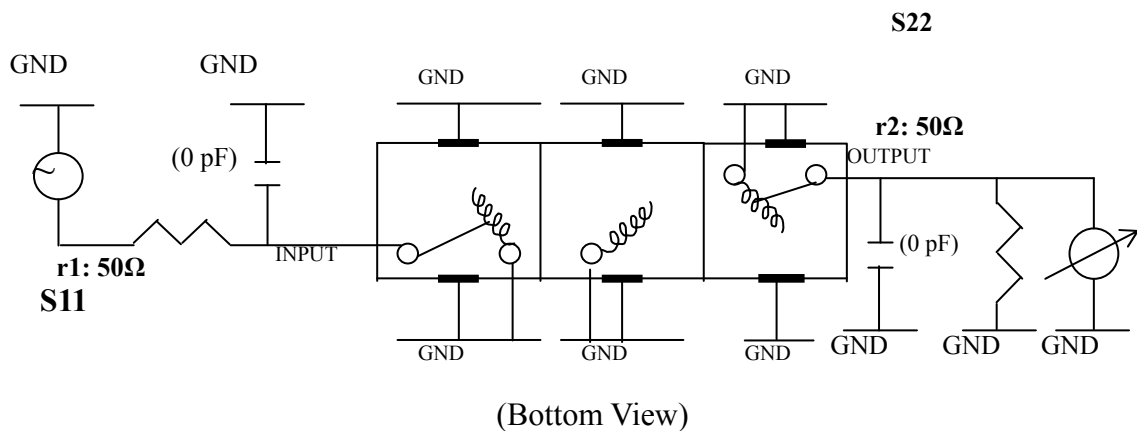
Customer Name		Temwell's Part No.	TTW3783B-1025M
Approval No. /dated	0512037APR	Acceptable Specify Fo Range	1001-1050 MHz
Work Instruction No.	0512037DC	Date	Jan.11.2006



(3) Electric Character		Item	Specify	Performance
Center Freq.(Fo) +/- 0.5 %			1025 MHz	1025 MHz
Tunable Range:			1025±5 MHz	1025±5 MHz
Insertion Loss		Typ.	3.0 dB	2.07 dB
-3 dB Bandwidth		Typ.	45 MHz	55.5 MHz
Sensitivity (Attenuation)	Fo - 100 MHz	Typ.	33 dBc	36 dBc
	Fo + 100 MHz	Typ.	21 dBc	24 dBc
	Fo - ()MHz	Typ.	dBc	dBc
	Fo + ()MHz	Typ.	dBc	dBc
Return Loss		Min.	12 dB	20.1 dB
Ripple			< 1 dB	dB
Impedance			In / Out : 50 Ω	In / Out : 50 Ω

(4) Torque for Tuning Screw	> 60gf · cm
(5) Temperature Condition:	
Operating Temperature	0°C ~ +60°C
Storage Temperature	-20°C ~ +70°C
(6) Input Power	> 0.5Watt

(7) Measuring Circuit: ※Easy to match Impedance S11/S22 50Ω by parallel with about(0pF) / (0pF).



Approval	Supervisor	Designer	Aperture size
C.Y. Chang	C.S. Chang	C.S. Chang	5W3, 3.8*4.5 (4.59) 5HW046RB3.2

TEMWELL CORPORATION

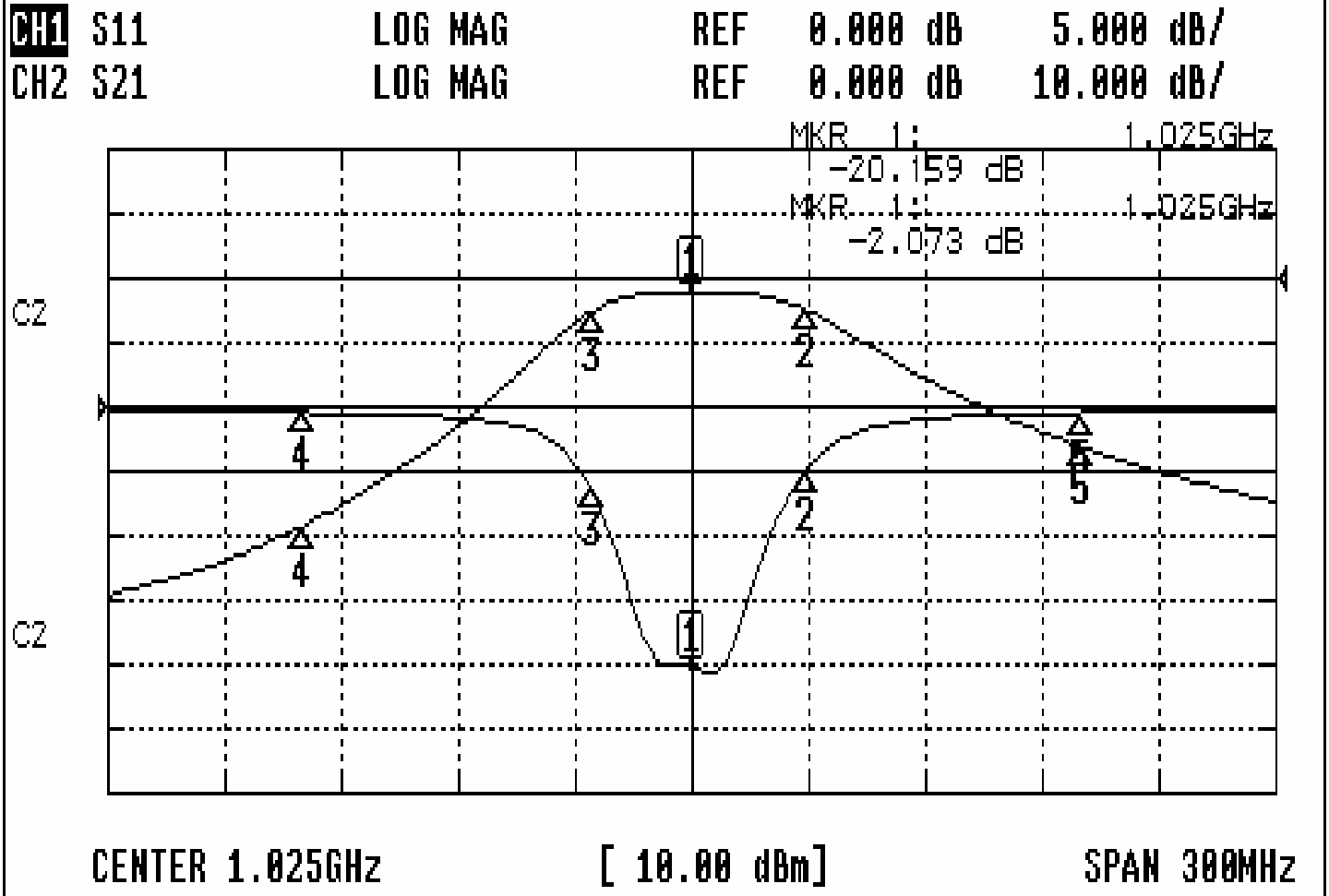
TEMWELL

Form10-5W3B Vision D

RP: C.S. Chang

Performance-TTW3783B-1025M

0512037DC



CH1 MARKER LIST

Marker	Freq (GHz)	Magnitude (dB)
1	1.025 000	-20.159
2	1.054 750	-4.825
3	999.250	-6.330
4	925.000	-0.426
5	1.125 000	-0.438

CH2 MARKER LIST

Marker	Freq (GHz)	Magnitude (dB)
1	1.025 000	-2.073
2	1.054 750	-15.032
3	999.250	-15.103
4	925.000	-38.478
5	1.125 000	-26.142