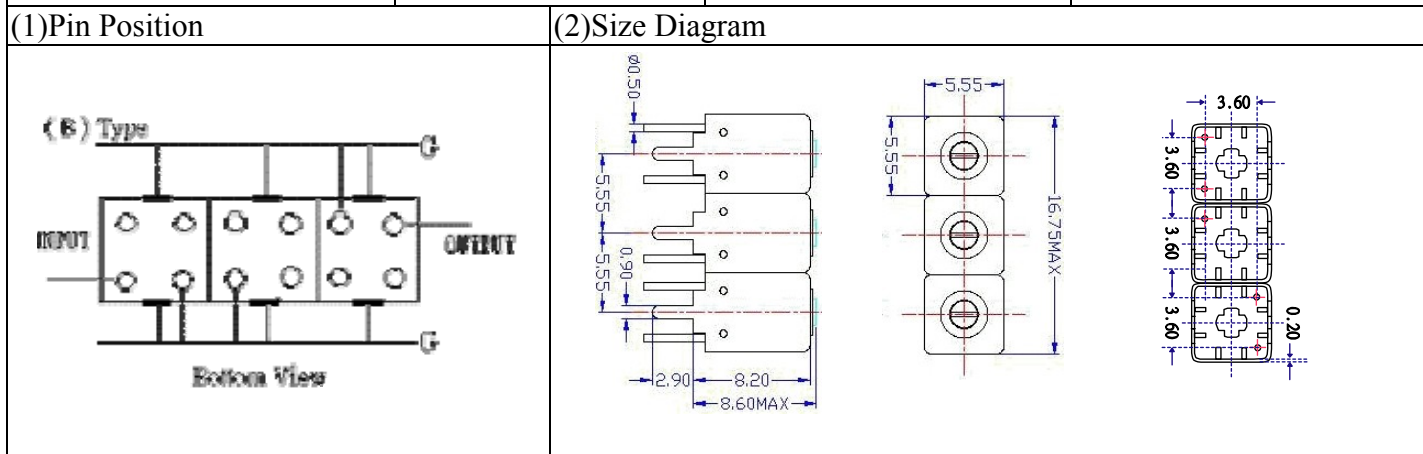


VHF UHF Helical Filter Specification Sheet

Customer Name		Temwell's Part No.	TTW3782B-975M
Approval No. /dated	201407161CD	Temwell's Print Name.	3782B 975M
Work Instruction No.	201407161CD	Date	Oct.24.2014



(3) Electric Character

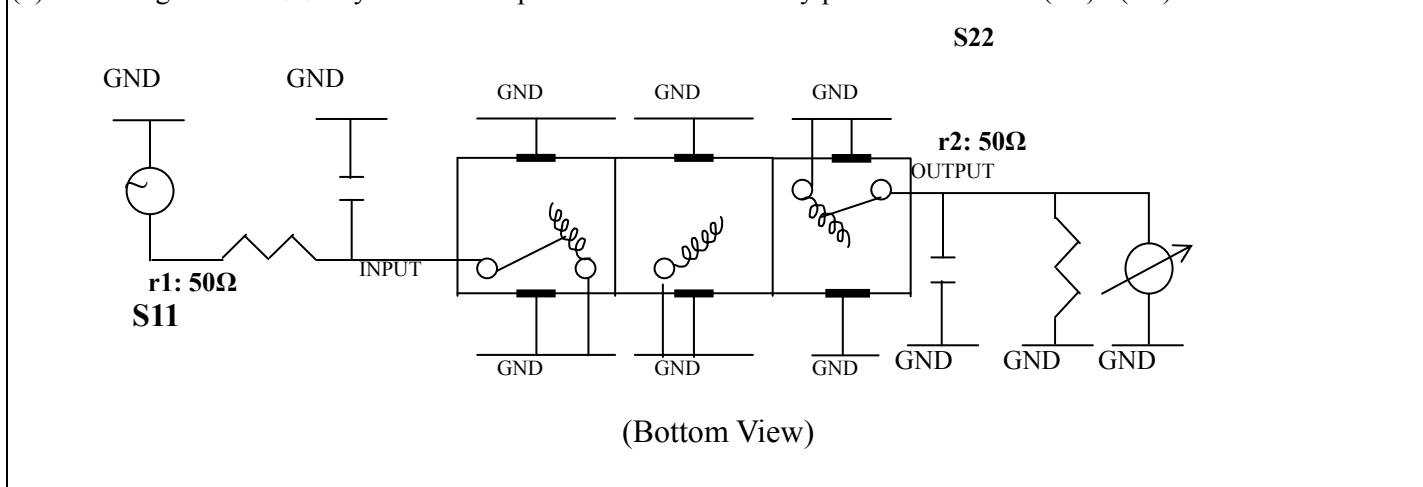
Item	Specify	Performance
Center Freq.(Fo) +/- 0.5 %	975 MHz	975 MHz
Insertion Loss	Typ. 2.5 dB	1.50 dB
-3 dB Bandwidth	Typ. 50 MHz	58.1 MHz
Sensitivity (Attenuation)	Fo - 100 MHz	Typ. 33 dBc
	Fo + 100 MHz	Typ. 22 dBc
	Fo - ()MHz	Typ. dBc
	Fo + ()MHz	Typ. dBc
Return Loss	Min. 12 dB	20.5 dB
Ripple	< 1 dB	
Impedance	In / Out : 50 Ω	In / Out : 50 Ω
(4) Torque for Tuning Screw	> 60gf · cm	

(5) Temperature Condition:

Operating Temperature	0°C ~ +60°C
Storage Temperature	-20°C ~ +70°C

(6) Input Power

(7) Measuring Circuit: ※Easy to match Impedance S11/S22 50Ω by parallel with about(--) / (--).



Approval C.Y.Chang	Supervisor C.K.Chang	Designer F.L.Lai	Aperture size 5W3S(3.8*4.5)(4.55) 5HW046RB3.2
-----------------------	-------------------------	---------------------	---

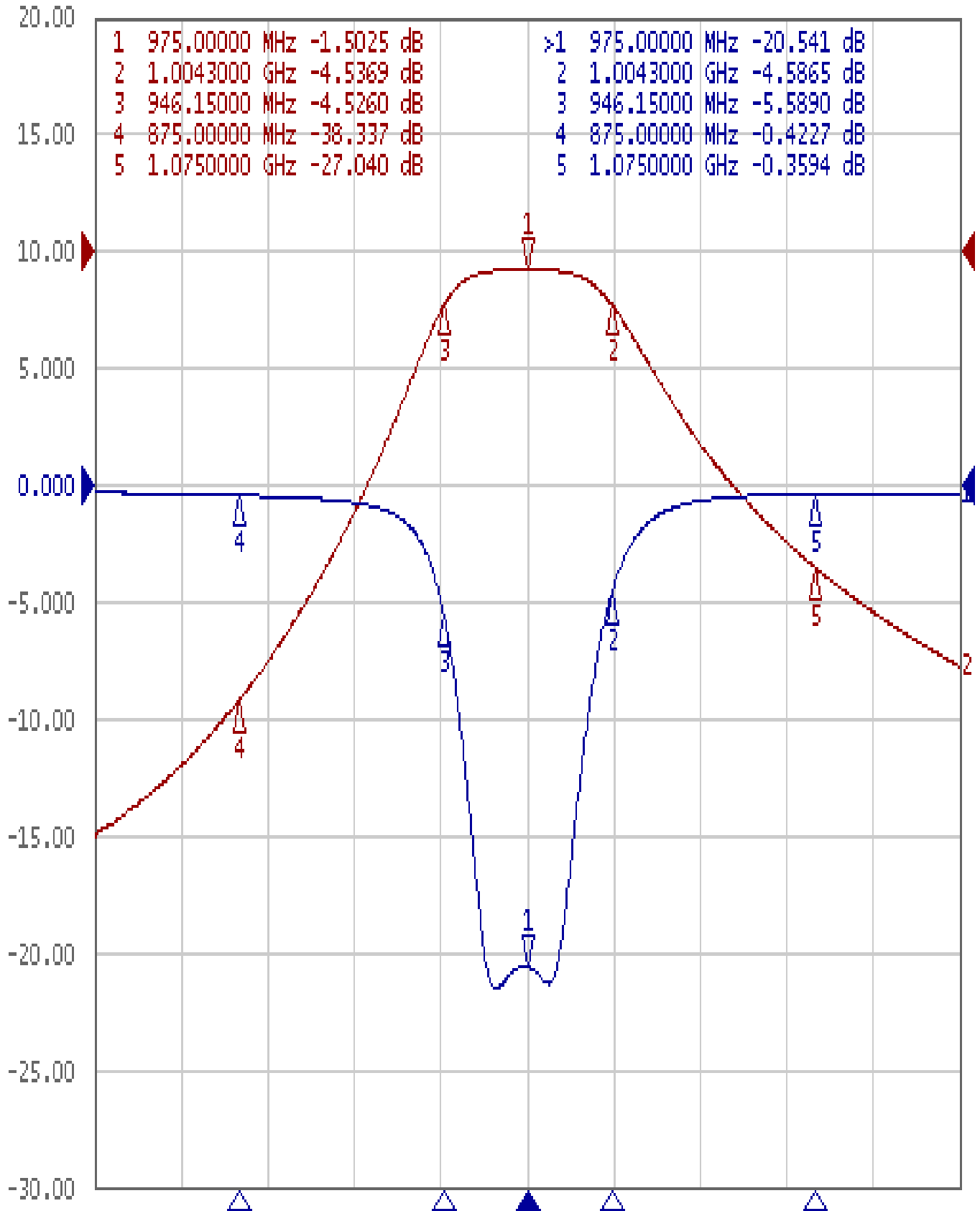
TEMWELL CORPORATION

Performance-TTW3782B-975M

201407161CD

Tr1 S11 Log Mag 5.000dB/ Ref 0.000dB [F2]

Tr2 S21 Log Mag 10.000dB/ Ref 0.000dB [F2]



1 Center 975 MHz

IFBW 10 kHz

Span 300 MHz

Cor !