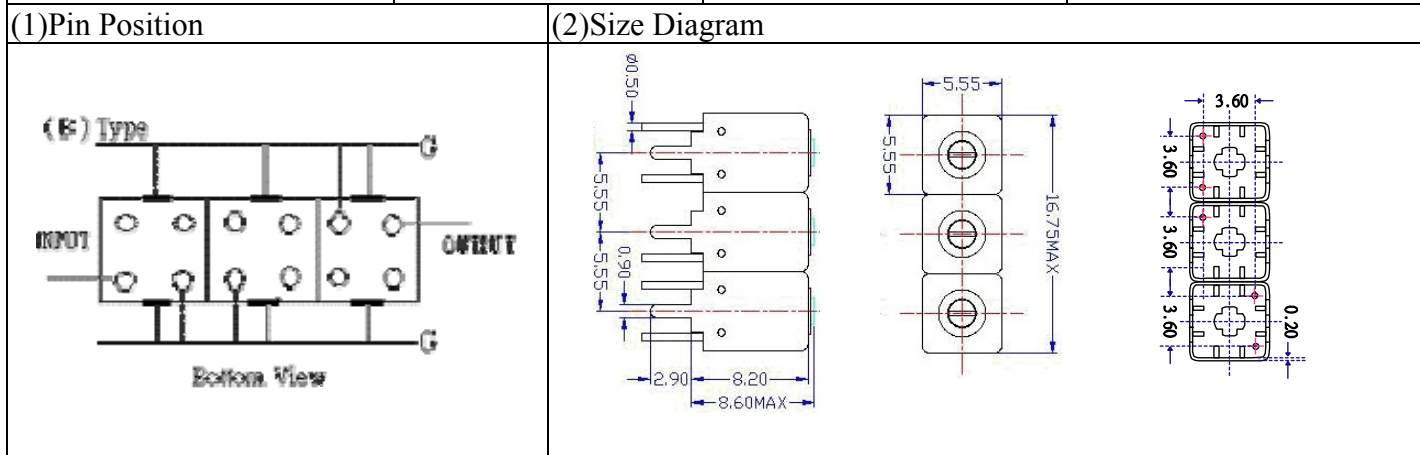


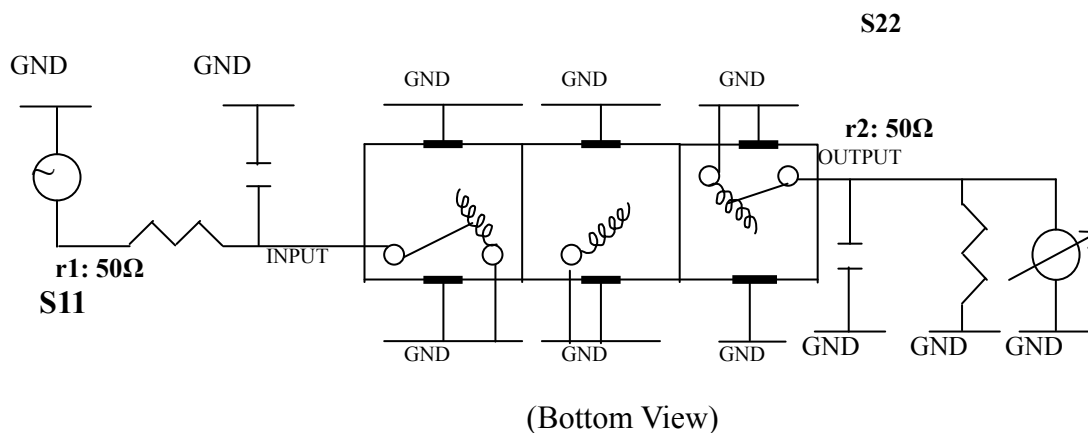
# VHF UHF Helical Filter Specification Sheet

Customer Name		Temwell's Part No.	TTW3781B-925M
Approval No. /dated		Temwell's Print Name.	3781B 925M
Work Instruction No.	201406028CD	Date	Jun.25.2014



(3) Electric Character					
Item		Specify		Performance	
Center Freq.(Fo) +/- 0.5 %		925 MHz		925 MHz	
Insertion Loss		Typ. 3.0 dB		1.92 dB	
-3 dB Bandwidth		Typ. 50 MHz		56.1 MHz	
Sensitivity (Attenuation)	Fo - 100 MHz	Typ. 39 dBc		42 dBc	
	Fo + 100 MHz	Typ. 27 dBc		30 dBc	
	Fo - ( )MHz	Typ. dBc		dBc	
	Fo + ( )MHz	Typ. dBc		dBc	
Return Loss		Min. 12 dB		17.0 dB	
Ripple		< 1 dB		dB	
Impedance		In / Out : 50 Ω		In / Out : 50 Ω	
(4) Torque for Tuning Screw		> 60gf · cm			
(5) Temperature Condition:					
Operating Temperature		0°C ~ +60°C			
Storage Temperature		-20°C ~ +70°C			
(6) Input Power		> 0.5Watt			

(7) Measuring Circuit: ※Easy to match Impedance S11/S22 50Ω by parallel with about(- -).



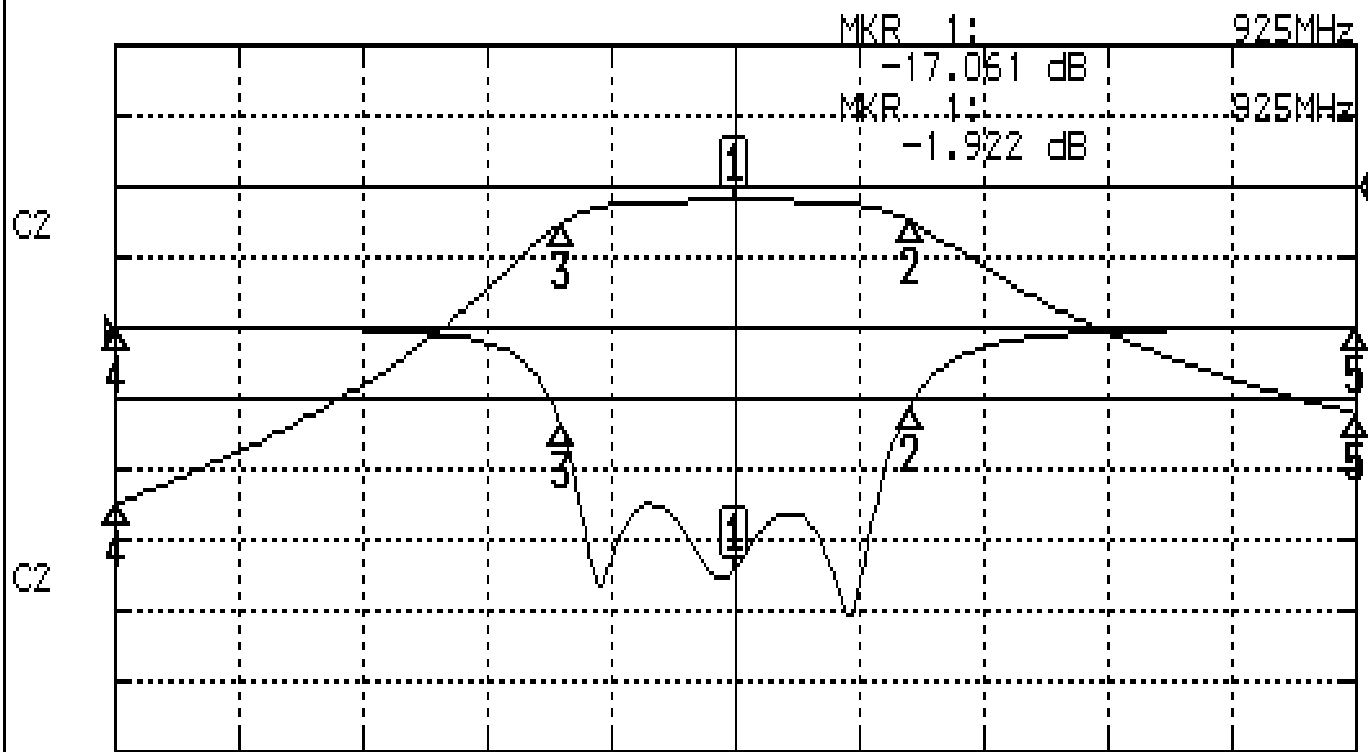
Approval	Supervisor	Designer	Aperture size
C.Y.Chang	C.K.Chang	C.Ko.Chang	5W3S(3.8*4.5)(4.60) 5HW046RB3.2

TEMWELL CORPORATION

# Performance-TTW3781B-925M

## 201406028CD

**CH1** S11                      LOG MAG                      REF    0.000 dB            5.000 dB/  
**CH2** S21                      LOG MAG                      REF    0.000 dB            10.000 dB/



CENTER 925MHz

[ 10.00 dBm ]

SPAN 200MHz

### CH1 MARKER LIST

1:	925.000MHz	-17.040 dB
2:	953.333MHz	-5.507 dB
3:	897.166MHz	-7.143 dB
4:	825.000MHz	0.035 dB
5:	1.025 000GHz	0.025 dB
6:		
7:		
8:		
9:		
10:		

### CH2 MARKER LIST

1:	925.000MHz	-1.922 dB
2:	953.333MHz	-4.973 dB
3:	897.166MHz	-4.923 dB
4:	825.000MHz	-44.836 dB
5:	1.025 000GHz	-32.124 dB
6:		
7:		
8:		
9:		
10:		