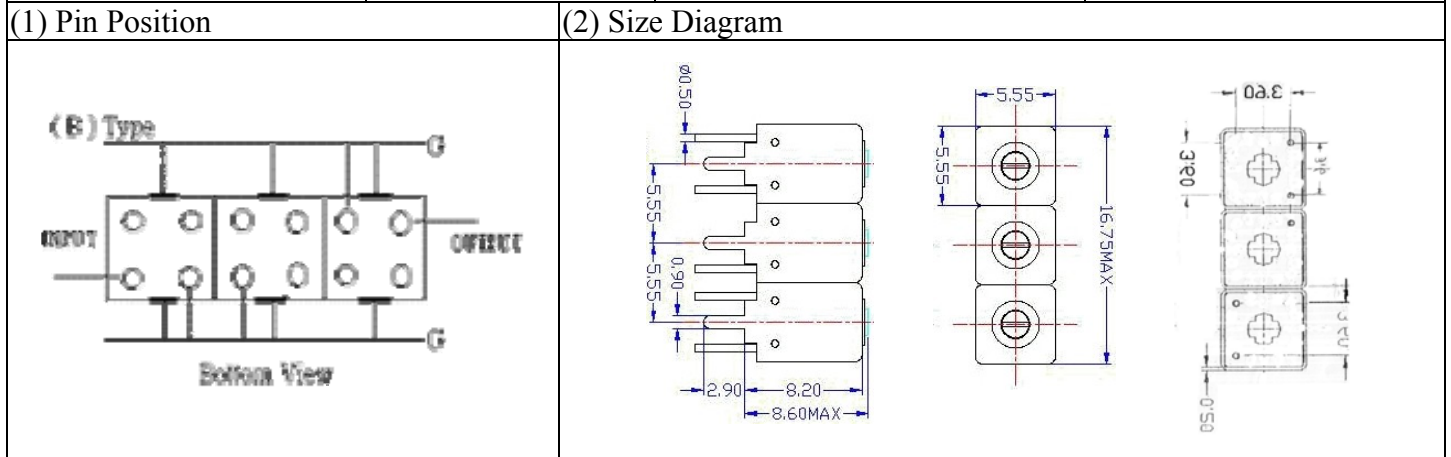


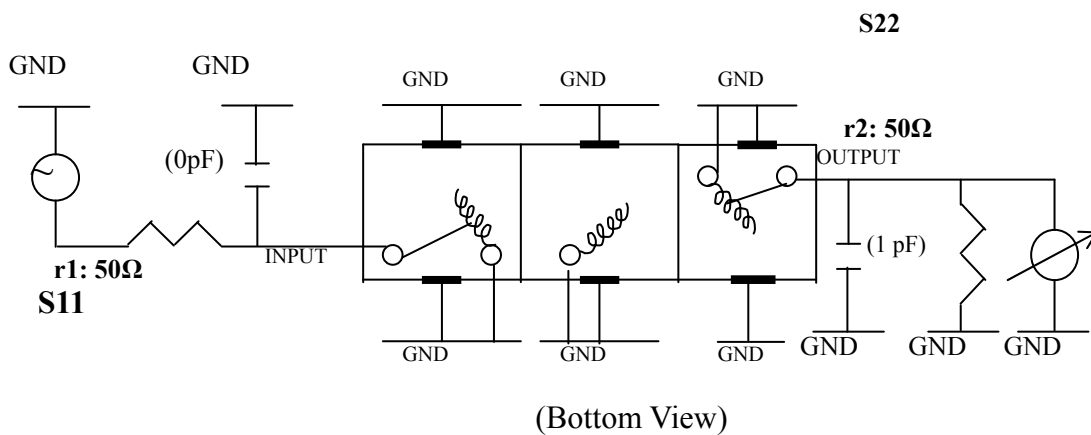
VHF UHF Helical Filter Specification Sheet

Customer Name		Temwell's Part No.	TTW3778B-1175M
Approval No. /dated	0512032APR	Acceptable Specify Fo Range	1151-1200 MHz
Work Instruction No.	0512032DC	Date	Jan.16.2006



(3) Electric Character			
Item	Specify		Performance
Center Freq.(Fo) +/- 0.5 %	1175	MHz	1175 MHz
Tunable Range:	1175±5	MHz	1175±5 MHz
Insertion Loss	Typ. 3.0	dB	1.96 dB
-3 dB Bandwidth	Typ. 35	MHz	46.3 MHz
Sensitivity (Attenuation)	Fo - 100 MHz	Typ. 29	dBc
	Fo + 100 MHz	Typ. 17	dBc
	Fo - ()MHz	Typ.	dBc
	Fo +()MHz	Typ.	dBc
Return Loss	Min. 12	dB	27.4 dB
Ripple	< 1	dB	dB
Impedance	In / Out : 50 Ω		In / Out : 50 Ω
(4) Torque for Tuning Screw			
> 60gf · cm			
(5) Temperature Condition:			
Operating Temperature	0°C ~ +60°C		
Storage Temperature	-20°C ~ +70°C		
(6) Input Power			
> 0.5Watt			

(7) Measuring Circuit: ※Easy to match Impedance S11/S22 50Ω by parallel with about(0pF) / (1pF).

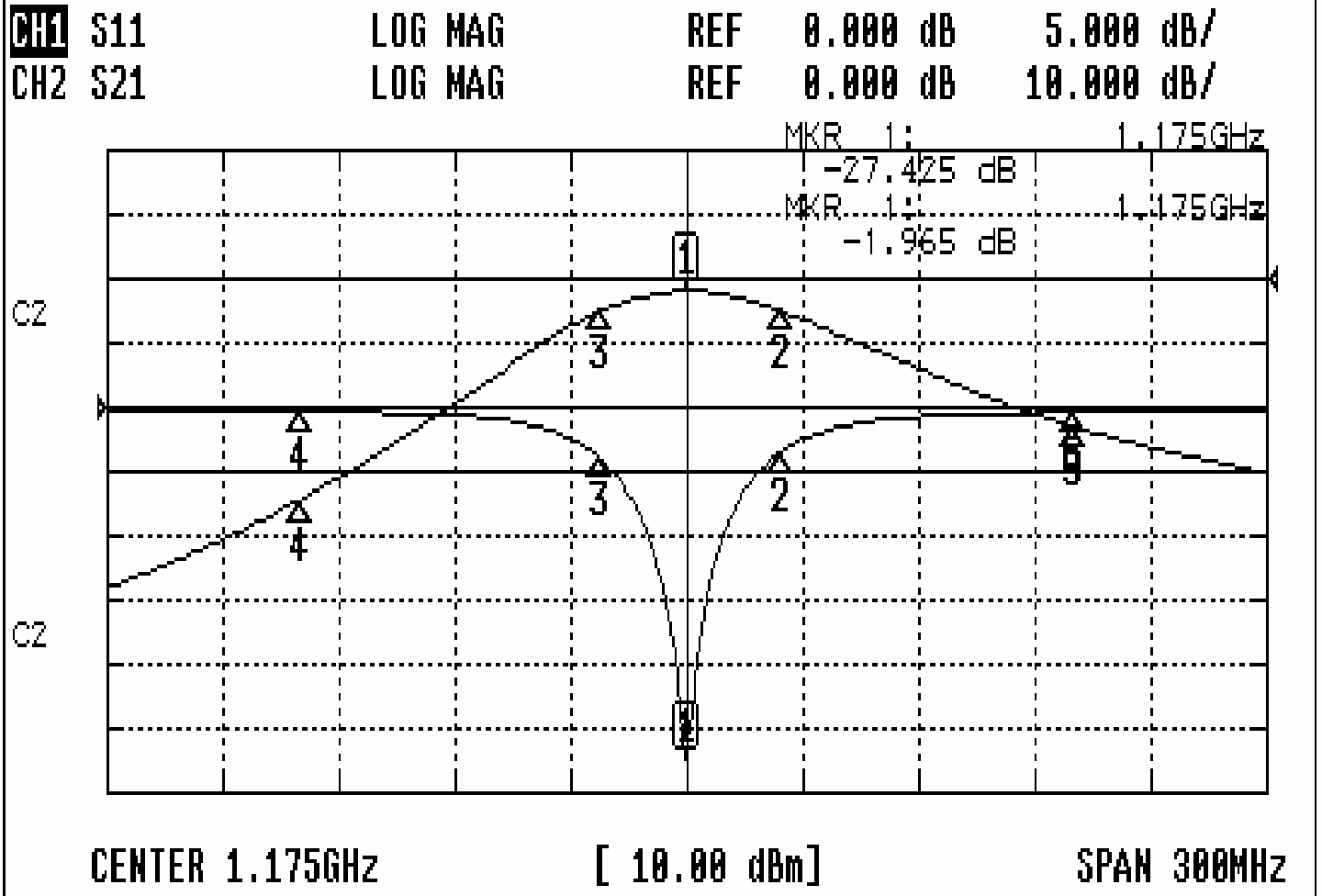


Approval	Supervisor	Designer	Aperture size
C.Y. Chang	C.S. Chang	C.S. Chang	5W3, 3.8*4.5 (4.58) 5HW046RB3.2

TEMWELL CORPORATION

Performance-TTW3778B-1175M

0512032DC



CH1 MARKER LIST

1:	1.175	000GHz	-27.425	dB
2:	1.199	000GHz	-3.528	dB
3:	1.152	750GHz	-4.021	dB
4:	1.075	000GHz	-0.345	dB
5:	1.275	000GHz	-0.409	dB

CH2 MARKER LIST

1:	1.175	000GHz	-1.965	dB
2:	1.199	000GHz	-4.946	dB
3:	1.152	750GHz	-4.934	dB
4:	1.075	000GHz	-34.300	dB
5:	1.275	000GHz	-22.987	dB