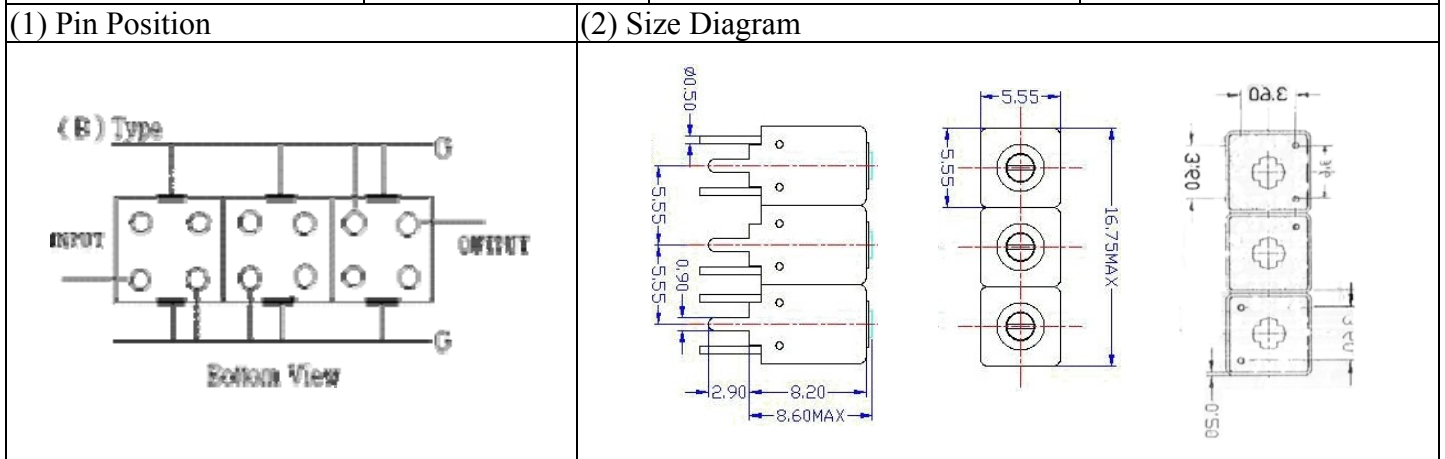


VHF UHF Helical Filter Specification Sheet

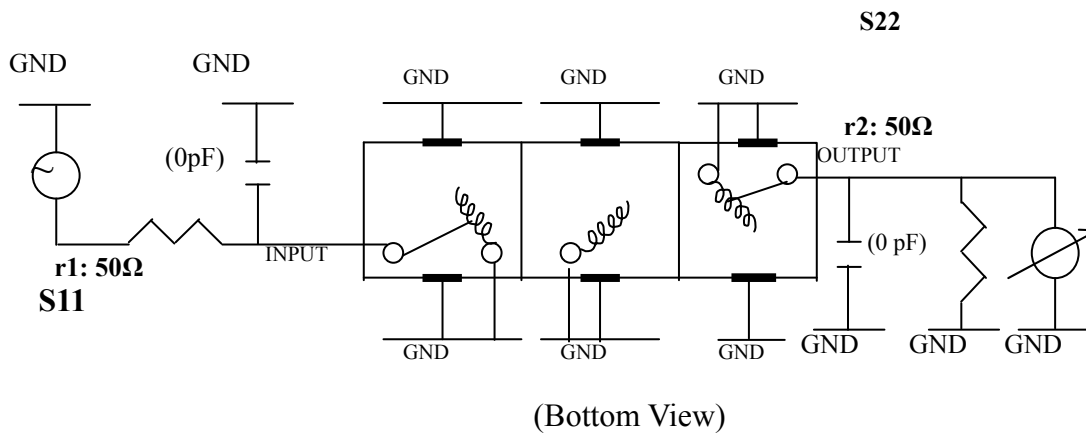
Customer Name		Temwell's Part No.	TTW3776B-1075M
Approval No. /dated	0512030APR	Acceptable Specify Fo Range	1051-1100 MHz
Work Instruction No.	0512030DC	Date	Jan.12.2006



Item		Specify		Performance	
Center Freq. (Fo) +/- 0.5 %		1075	MHz	1075	MHz
Tunable Range:		1075±5	MHz	1075±5	MHz
Insertion Loss		Typ. 3.0	dB	1.73	dB
-3 dB Bandwidth		Typ. 40	MHz	48.0	MHz
Sensitivity (Attenuation)	Fo - 100 MHz	Typ. 33	dBc	36	dBc
	Fo + 100 MHz	Typ. 21	dBc	24	dBc
	Fo - ()MHz	Typ.	dBc		dBc
	Fo +()MHz	Typ.	dBc		dBc
Return Loss		Min. 12	dB	20.4	dB
Ripple		< 1	dB		dB
Impedance		In / Out : 50 Ω		In / Out : 50 Ω	

(4) Torque for Tuning Screw	> 60gf · cm
(5) Temperature Condition:	
Operating Temperature	0°C ~ +60°C
Storage Temperature	-20°C ~ +70°C
(6) Input Power	> 0.5Watt

(7) Measuring Circuit: ※Easy to match Impedance S11/S22 50Ω by parallel with about(0pF) / (0pF).



Approval	Supervisor	Designer	Aperture size
C.Y. Chang	C.S. Chang	C.S. Chang	5W3, 3.8*4.0 (4.25) 5HW046RB3.2

TEMWELL CORPORATION

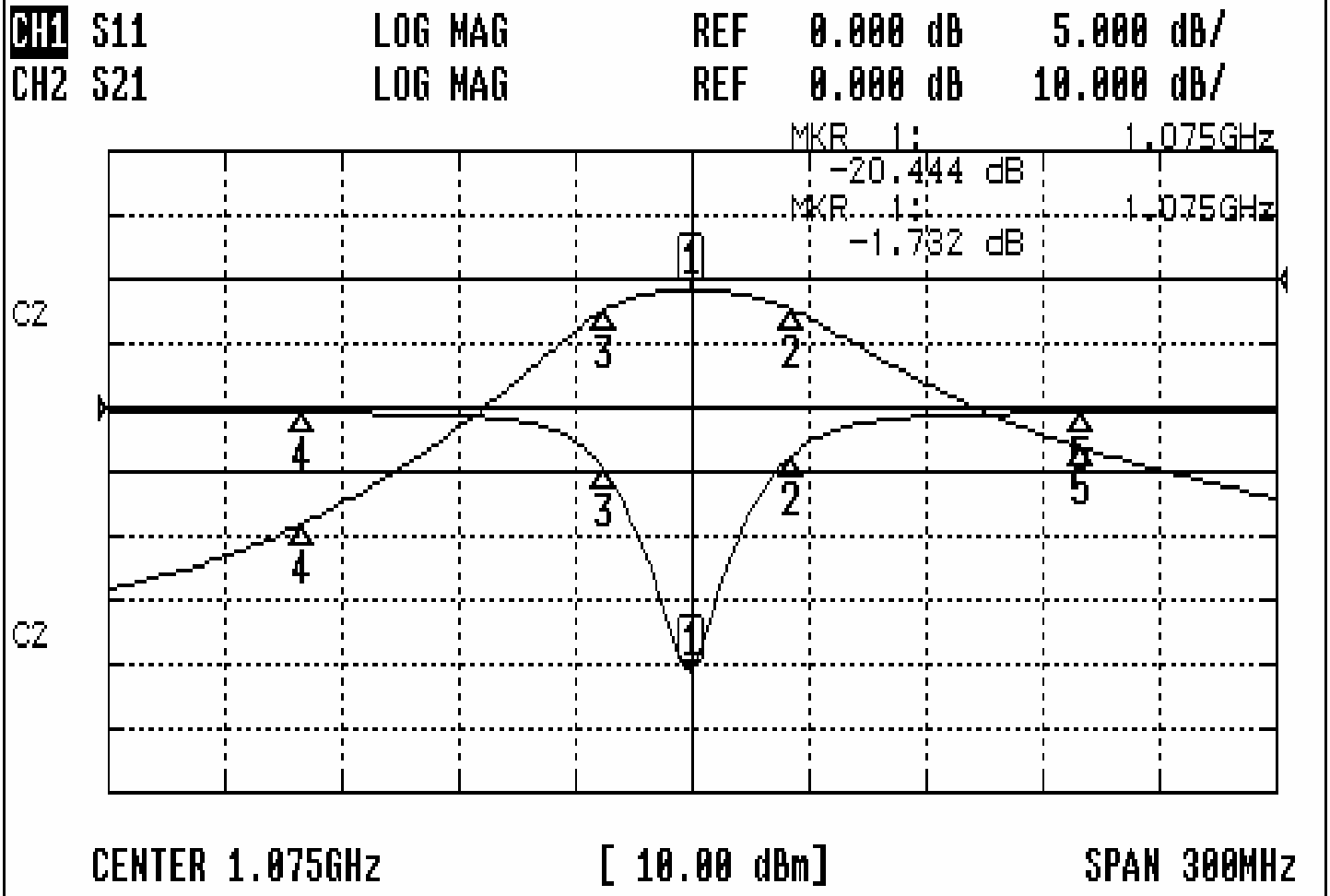
TEMWELL

Form10-5W3B Vision D

RP: C.S. Chang

Performance-TTW3776B-1075M

0512030DC



CH1 MARKER LIST

1	1.075 000GHz	-20.444	dB
2	1.100 750GHz	-3.725	dB
3	1.052 750GHz	-4.945	dB
4	975.000MHz	-0.391	dB
5	1.175 000GHz	-0.363	dB

CH2 MARKER LIST

1	1.075 000GHz	-1.732	dB
2	1.100 750GHz	-4.758	dB
3	1.052 750GHz	-4.736	dB
4	975.000MHz	-38.031	dB
5	1.175 000GHz	-26.186	dB