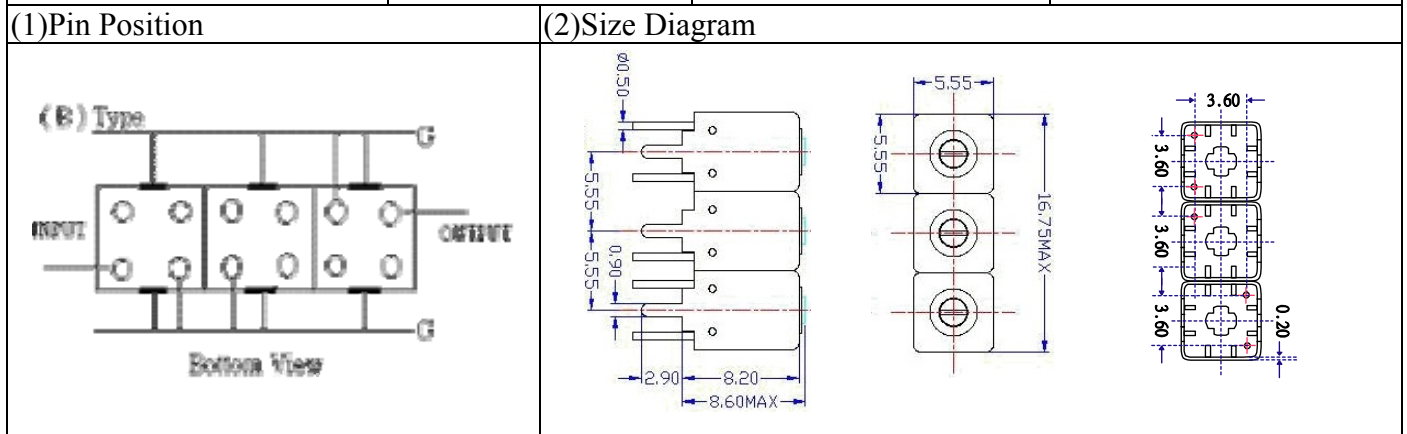


# VHF UHF Helical Filter Specification Sheet

Customer Name		Temwell's Part No.	TTW3774B-975M
Approval No. /dated	201407162CD	Temwell's Print Name.	3774B 975M
Work Instruction No.	201407162CD	Date	Nov.19.2014



(3) Electric Character		Item	Specify	Performance
Center Freq.(Fo) +/- 0.5 %			975 MHz	975 MHz
Insertion Loss		Typ.	2.5 dB	1.59 dB
-3 dB Bandwidth		Typ.	40 MHz	45.0 MHz
Sensitivity (Attenuation)	Fo - 100 MHz	Typ.	37 dBc	40 dBc
	Fo + 100 MHz	Typ.	23 dBc	26 dBc
	Fo - ( )MHz	Typ.	dBc	dBc
	Fo +( )MHz	Typ.	dBc	dBc
Return Loss		Min.	12 dB	23.1 dB
Ripple			< 1 dB	dB
Impedance			In / Out : 50 Ω	In / Out : 50 Ω

(4) Torque for Tuning Screw > 60gf · cm

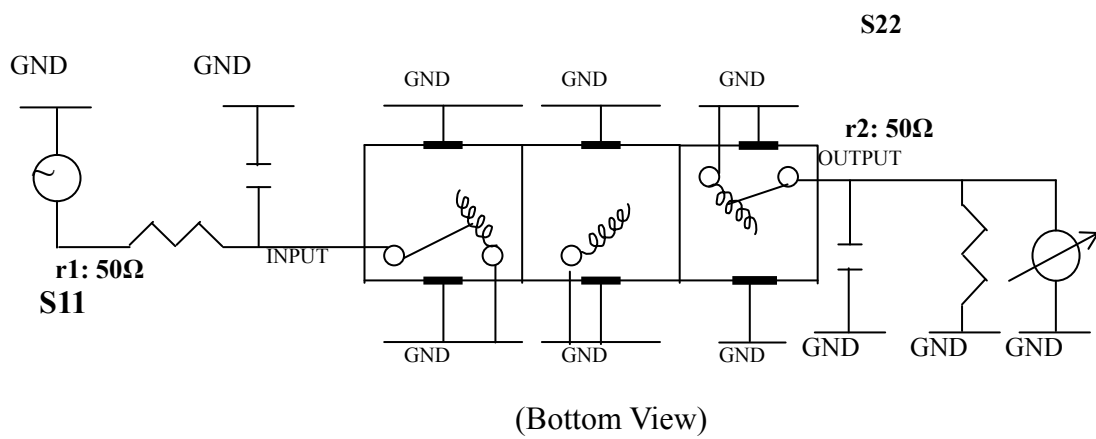
(5) Temperature Condition:

Operating Temperature 0°C ~ +60°C

Storage Temperature -20°C ~ +70°C

(6) Input Power > 0.5Watt

(7) Measuring Circuit: ※Easy to match Impedance S11/S22 50Ω by parallel with about( -- ) / ( -- ).

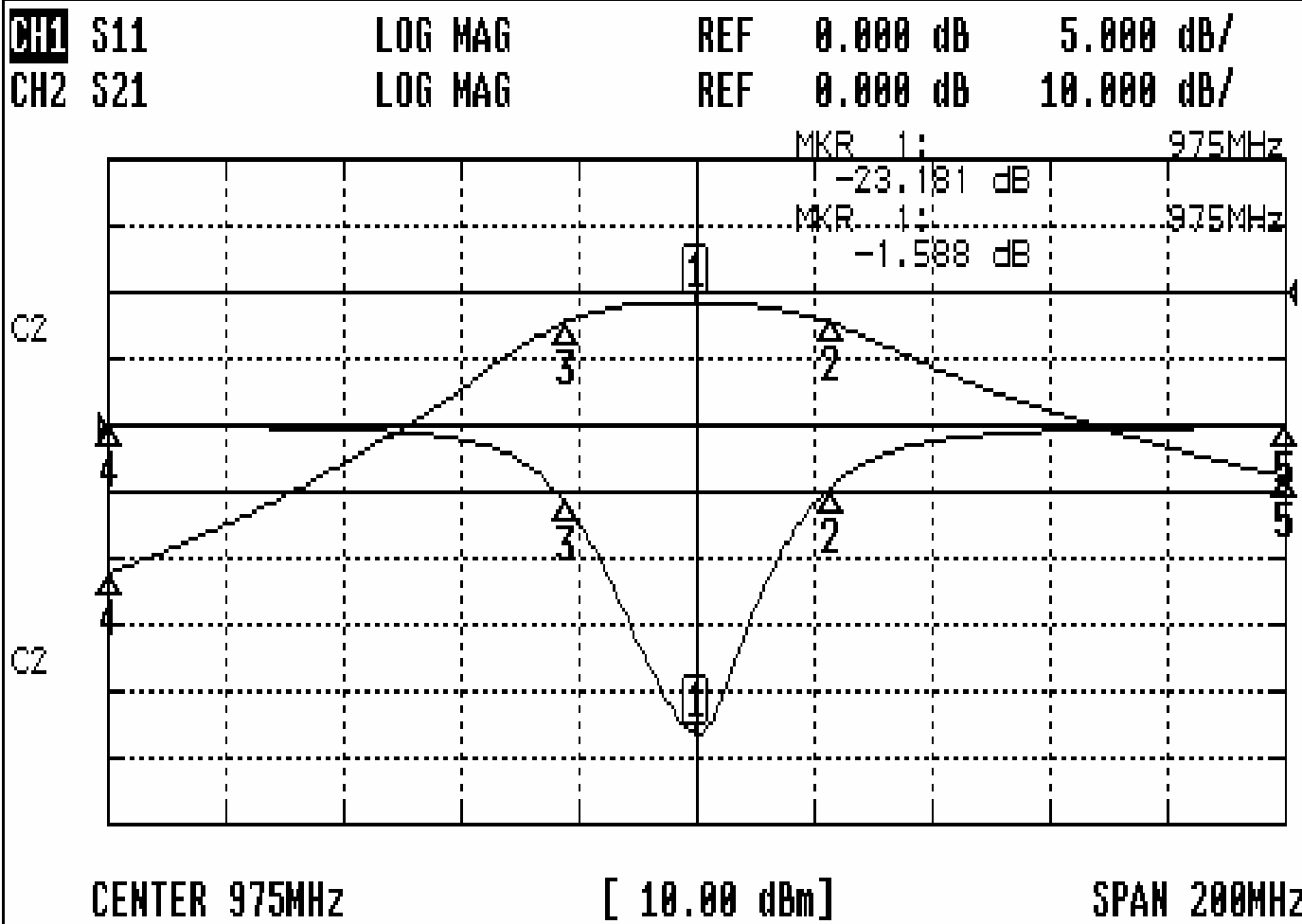


Approval	Supervisor	Designer	Aperture size
C.Y.Chang	C.K.Chang	H.W.Lin	5W3S(3.8*4.5)(4.55) 5HW046RB3.2

TEMWELL CORPORATION

# Performance-TTW3774B-975M

## 201407162CD



### CH1 MARKER LIST

1:	975.000MHz	-23.181	dB
2:	997.666MHz	-4.713	dB
3:	952.666MHz	-5.762	dB
4:	875.000MHz	-0.019	dB
5:	1.075 000GHz	-0.057	dB
6:			
7:			
8:			
9:			
10:			

### CH2 MARKER LIST

1:	975.000MHz	-1.590	dB
2:	997.666MHz	-4.539	dB
3:	952.666MHz	-4.534	dB
4:	875.000MHz	-42.285	dB
5:	1.075 000GHz	-27.723	dB
6:			
7:			
8:			
9:			
10:			