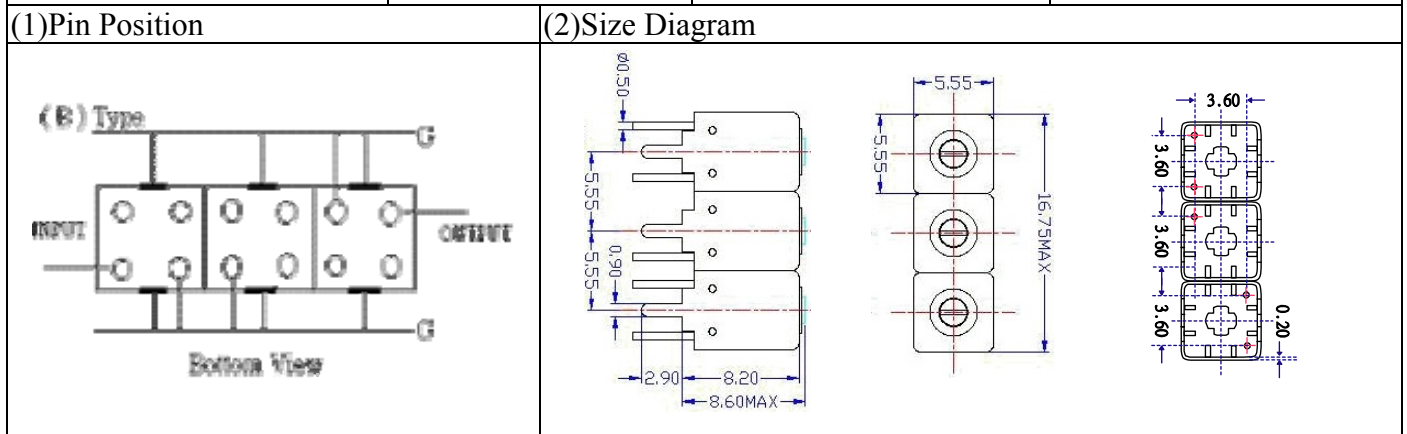


# VHF UHF Helical Filter Specification Sheet

Customer Name		Temwell's Part No.	TTW3773B-925M
Approval No. /dated	201407164CD	Temwell's Print Name.	3773B 925M
Work Instruction No.	201407164CD	Date	Oct.15.2014



(3)Electric Character			
Item		Specify	Performance
Center Freq.(Fo) +/- 0.5 %		925 MHz	925 MHz
Insertion Loss		Typ. 3.0 dB	1.75 dB
-3 dB Bandwidth		Typ. 40 MHz	50.5 MHz
Sensitivity (Attenuation)	Fo - 100 MHz	Typ. 37 dBc	41 dBc
	Fo + 100 MHz	Typ. 25 dBc	30 dBc
	Fo - ( )MHz	Typ. dBc	dBc
	Fo +( )MHz	Typ. dBc	dBc
Return Loss		Min. 12 dB	30.9 dB
Ripple		< 1 dB	dB
Impedance		In / Out : 50 Ω	In / Out : 50 Ω

(4)Torque for Tuning Screw > 60gf · cm

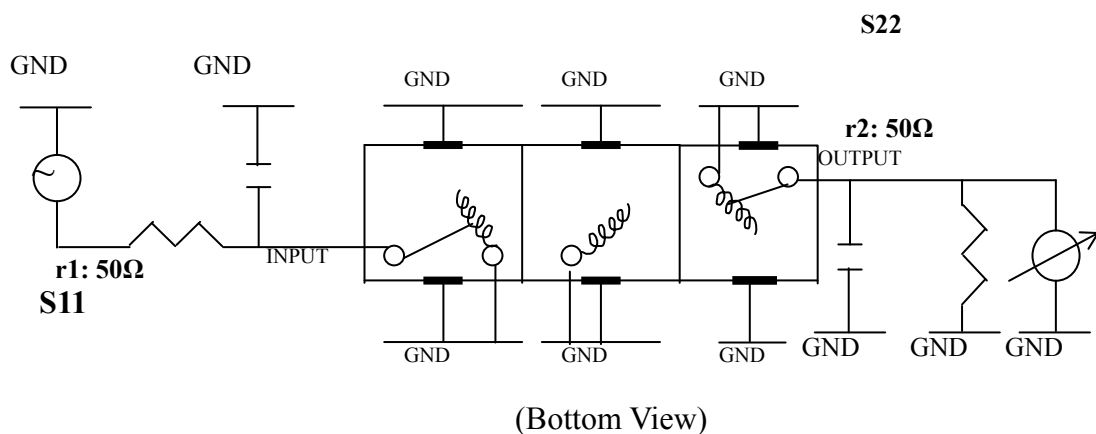
(5)Temperature Condition:

Operating Temperature 0°C ~ +60°C

Storage Temperature -20°C ~ +70°C

(6)Input Power > 0.5Watt

(7)Measuring Circuit: ※Easy to match Impedance S11/S22 50Ω by parallel with about( -- ) / ( -- ).



Approval	Supervisor	Designer	Aperture size
C.Y.Chang	C.K.Chang	F.L.Lai	5W3S(3.8*4.0)(4.05) 5HW046RB3.2

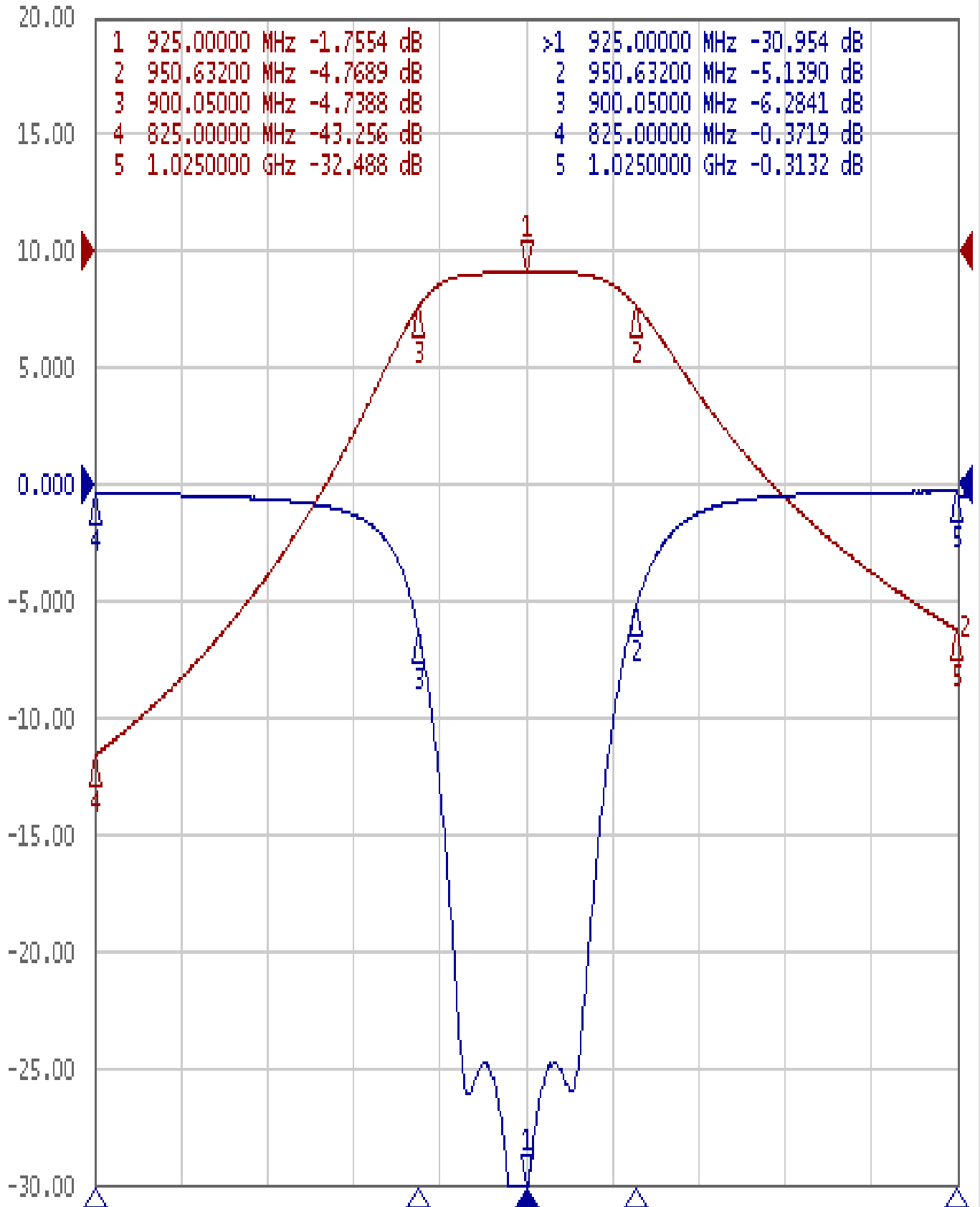
TEMWELL CORPORATION

# Performance-TTW3773B-925M

## 201407164CD

Tr1 S11 Log Mag 5.000dB/ Ref 0.000dB [F2]

Tr2 S21 Log Mag 10.000dB/ Ref 0.000dB [F2]



1 Center 925 MHz

IFBW 10 kHz

Span 200 MHz Cor !