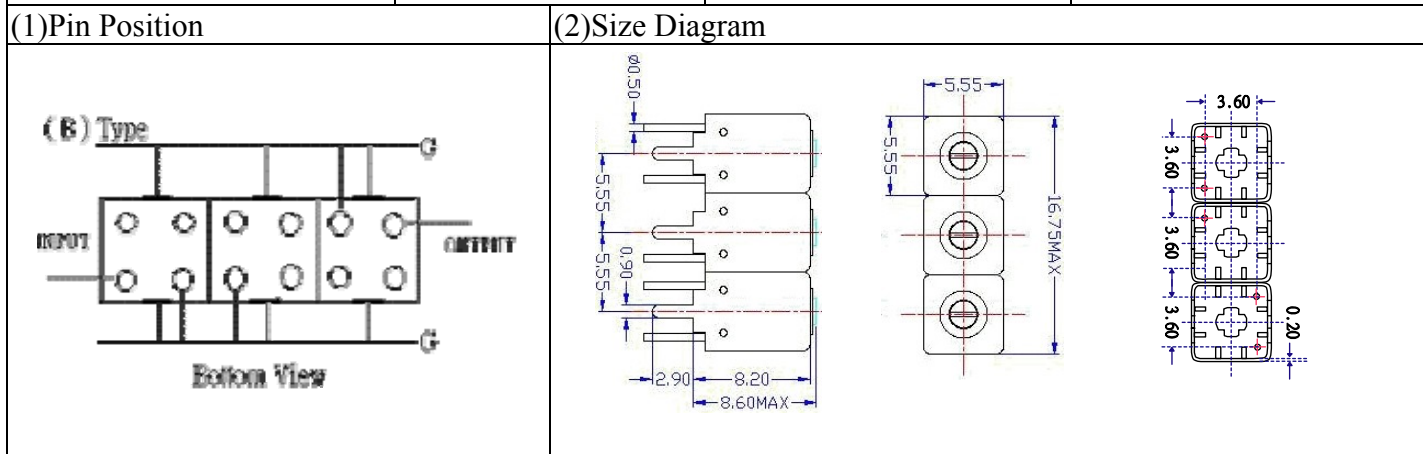


VHF UHF Helical Filter Specification Sheet

Customer Name		Temwell's Part No.	TTW3769B-1975M
Approval No. /dated	201407137CD	Temwell's Print Name.	3769B 1975M
Work Instruction No.	201407137CD	Date	Dec.02.2014



(3) Electric Character

Item	Specify	Performance
Center Freq.(Fo) +/- 0.5 %	1975 MHz	1975 MHz
Insertion Loss	Typ. 3.5 dB	1.96 dB
-3 dB Bandwidth	Typ. 72 MHz	88.5 MHz
Sensitivity (Attenuation)	Fo - 150 MHz	Typ. 34 dBc
	Fo + 150 MHz	Typ. 18 dBc
	Fo - ()MHz	Typ. dBc
	Fo +()MHz	Typ. dBc
Return Loss	Min. 12 dB	26.2 dB
Ripple	< 1 dB	dB
Impedance	In / Out : 50 Ω	In / Out : 50 Ω

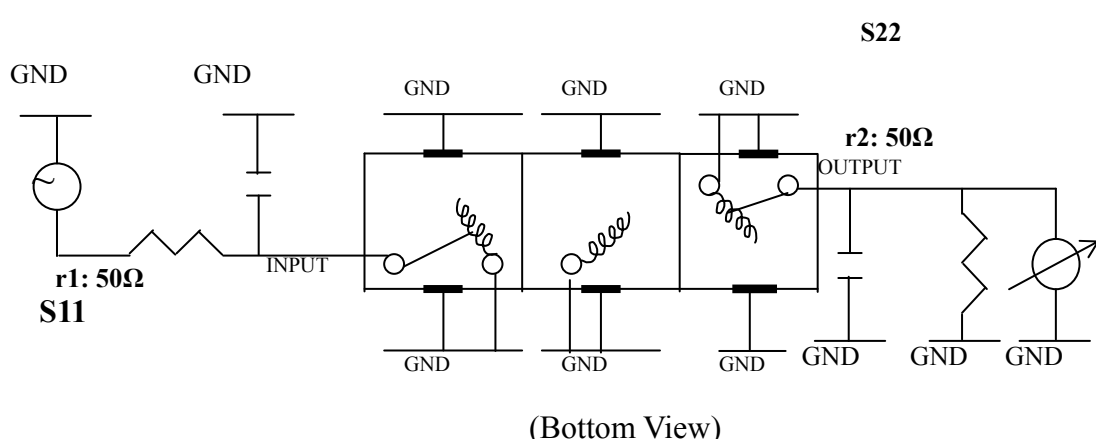
(4) Torque for Tuning Screw > 60gf · cm

(5) Temperature Condition:

Operating Temperature	0°C ~ +60°C
Storage Temperature	-20°C ~ +70°C

(6) Input Power > 0.5Watt

(7) Measuring Circuit: ※Easy to match Impedance S11/S22 50Ω by parallel with about(--)



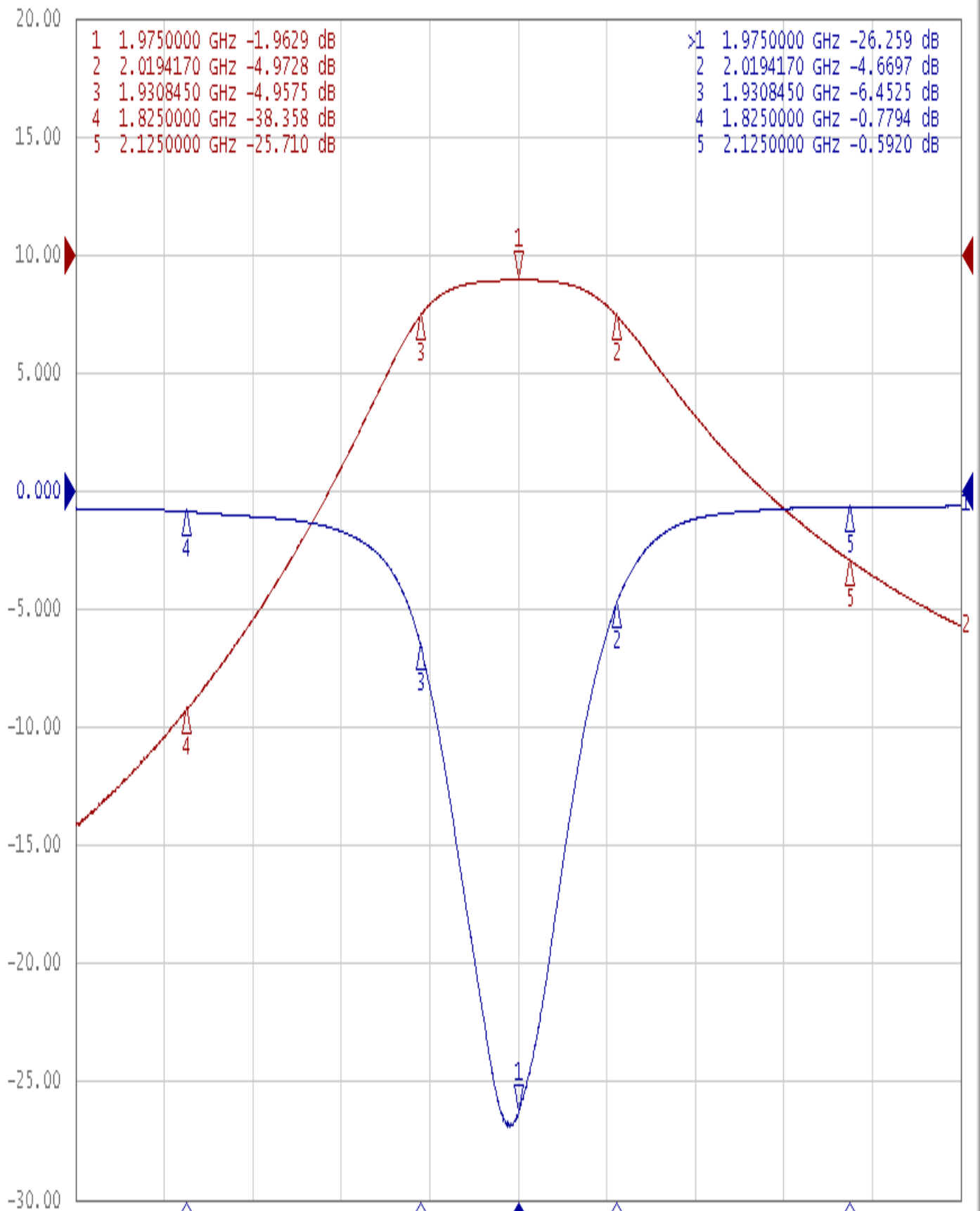
Approval C.Y.Chang	Supervisor C.K.Chang	Designer C.S.Chang	Aperture size 5W3S(3.8*5.1)(5.12) 5HW046RB3.2 (J1)
-----------------------	-------------------------	-----------------------	--

TEMWELL CORPORATION

Performance-TTW3769B-1975M

201407137CD

Tr1 S11 Log Mag 5.000dB/ Ref 0.000dB [F2]
Tr2 S21 Log Mag 10.00dB/ Ref 0.000dB [F2]



1 Center 1.975 GHz

IFBW 10 kHz

Span 400 MHz Cor !