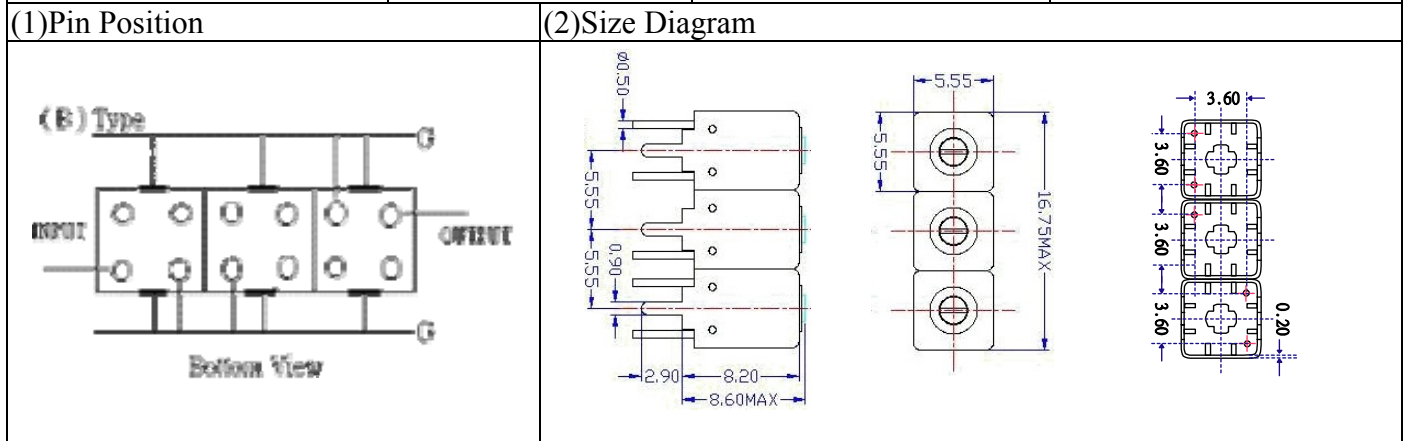


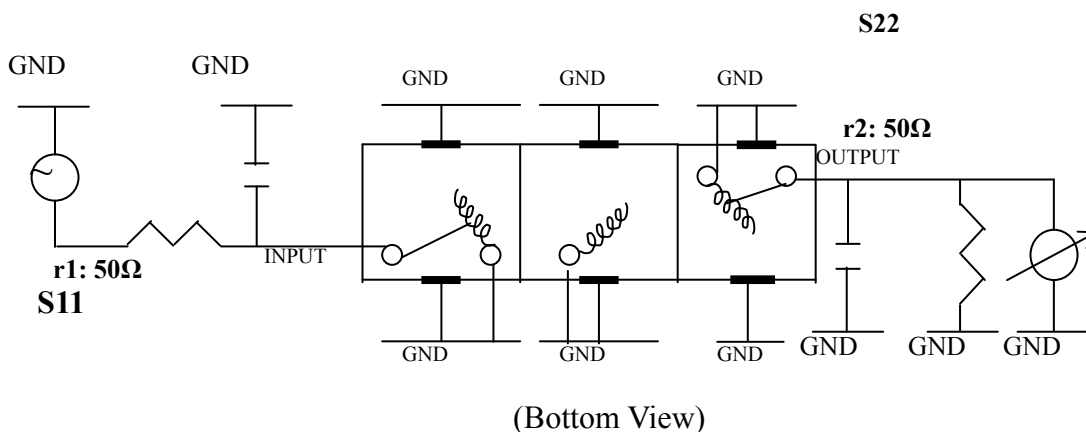
VHF UHF Helical Filter Specification Sheet

Customer Name		Temwell's Part No.	TTW3768B-1775M
Approval No. /dated	201407140CD	Temwell's Print Name.	3768B 1775M
Work Instruction No.	201407140CD	Date	Dec.16.2014



(3) Electric Character			
Item		Specify	Performance
Center Freq.(Fo) +/- 0.5 %		1775 MHz	1775 MHz
Insertion Loss		Typ. 3.5 dB	1.91 dB
-3 dB Bandwidth		Typ. 70 MHz	84.6 MHz
Sensitivity (Attenuation)	Fo - 150 MHz	Typ. 31 dBc	37 dBc
	Fo + 150 MHz	Typ. 20 dBc	25 dBc
	Fo - ()MHz	Typ. dBc	dBc
	Fo +()MHz	Typ. dBc	dBc
Return Loss		Min. 12 dB	19.1 dB
Ripple		< 1 dB	dB
Impedance		In / Out : 50 Ω	In / Out : 50 Ω
(4) Torque for Tuning Screw		> 60gf · cm	
(5) Temperature Condition:			
Operating Temperature		0°C ~ +60°C	
Storage Temperature		-20°C ~ +70°C	
(6) Input Power		> 0.5Watt	

(7) Measuring Circuit: ※Easy to match Impedance S11/S22 50Ω by parallel with about(--)



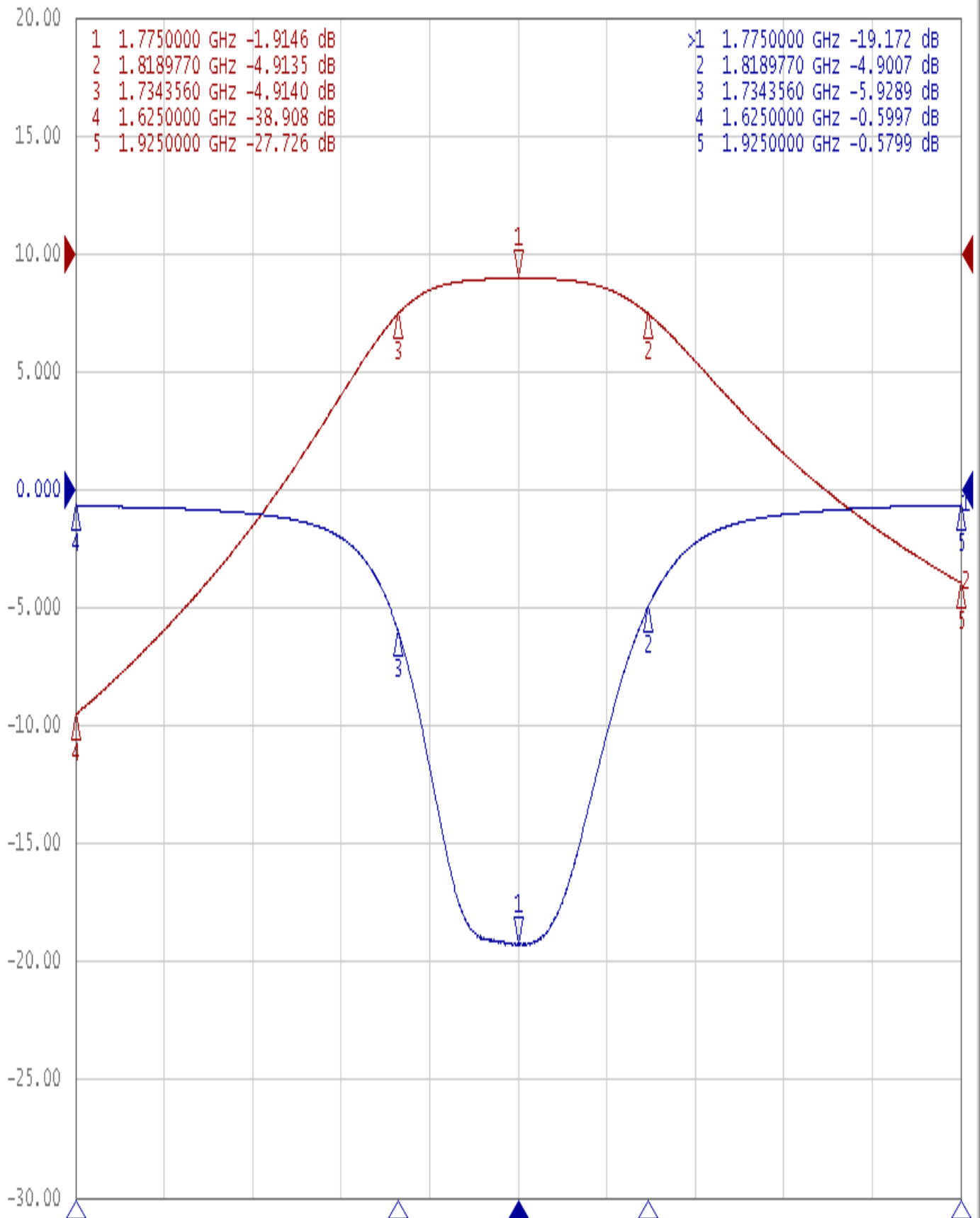
Approval	Supervisor	Designer	Aperture size
C.Y.Chang	C.K.Chang	C.S.Chang	5W3S(3.8*5.1)(5.12) 5HW046RB3.2

TEMWELL CORPORATION

Performance-TTW3768B-1775M

201407140CD

Tr1 S11 Log Mag 5.000dB/ Ref 0.000dB [F2]
Tr2 S21 Log Mag 10.00dB/ Ref 0.000dB [F2]



1 Center 1.775 GHz

IFBW 10 kHz

Span 300 MHz Cor |