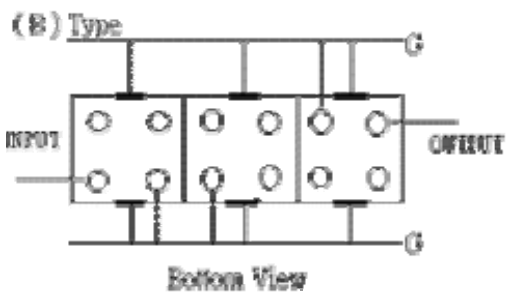
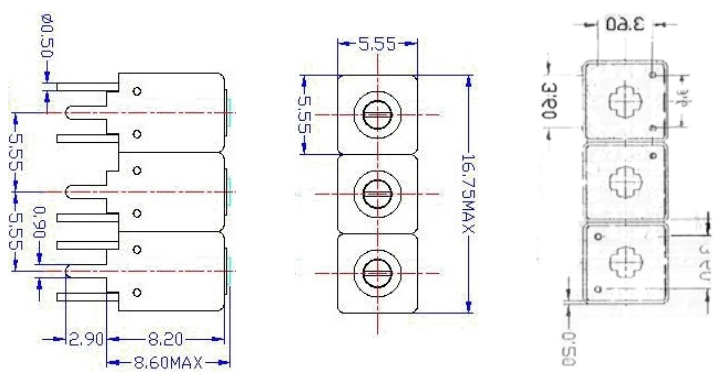


# VHF UHF Helical Filter Specification Sheet

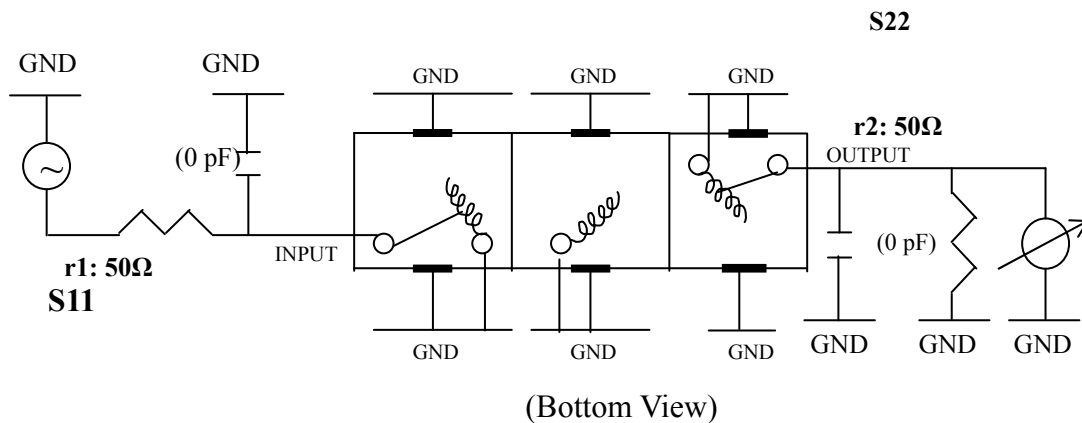
|                      |            |                       |                |
|----------------------|------------|-----------------------|----------------|
| Customer Name        |            | Temwell's Part No.    | TTW3765B-1575M |
| Approval No. /dated  | 0605021APR | Temwell's Print Name. | 3765B<br>1575M |
| Work Instruction No. | 0605021C   | Date                  | May.11.2006    |

|  |  |
|--|--|
| <p>(1) Pin Position</p>  <p style="text-align: center;">Bottom View</p> | <p>(2) Size Diagram</p>  |
|--|--|

| (3) Electric Character       |              | Specify         | Performance     |
|------------------------------|--------------|-----------------|-----------------|
| Item                         |              |                 |                 |
| Center Freq (Fo) +/-0.5%     |              | 1575 MHz        | 1575 MHz        |
| Tunable Range                |              | 1575±5 MHz      | 1575±5 MHz      |
| Insertion Loss               |              | Typ. 3.5 dB     | 1.68 dB         |
| -3 dB Bandwidth              |              | Typ. 60 MHz     | 73.5 MHz        |
| Sensitivity<br>(Attenuation) | Fo - 100 MHz | Typ. 22 dBc     | 25 dBc          |
|                              | Fo + 100 MHz | Typ. 12 dBc     | 15 dBc          |
|                              | Fo - ( )MHz  | Typ. dBc        | dBc             |
|                              | Fo +( )MHz   | Typ. dBc        | dBc             |
| Return Loss                  |              | Min. 12 dB      | 26.9 dB         |
| Ripple                       |              | < 1 dB          | dB              |
| Impedance                    |              | In / Out : 50 Ω | In / Out : 50 Ω |

|                             |               |
|-----------------------------|---------------|
| (4) Torque for Tuning Screw | > 60gf · cm   |
| (5) Temperature Condition:  |               |
| Operating Temperature       | 0°C ~ +60°C   |
| Storage Temperature         | -20°C ~ +70°C |
| (6) Input Power             | >0.5 Watt     |

(7) Measuring Circuit: ※Easy to match Impedance S11/S22 50Ω/ by parallel with about(0 pF) / (0 pF).



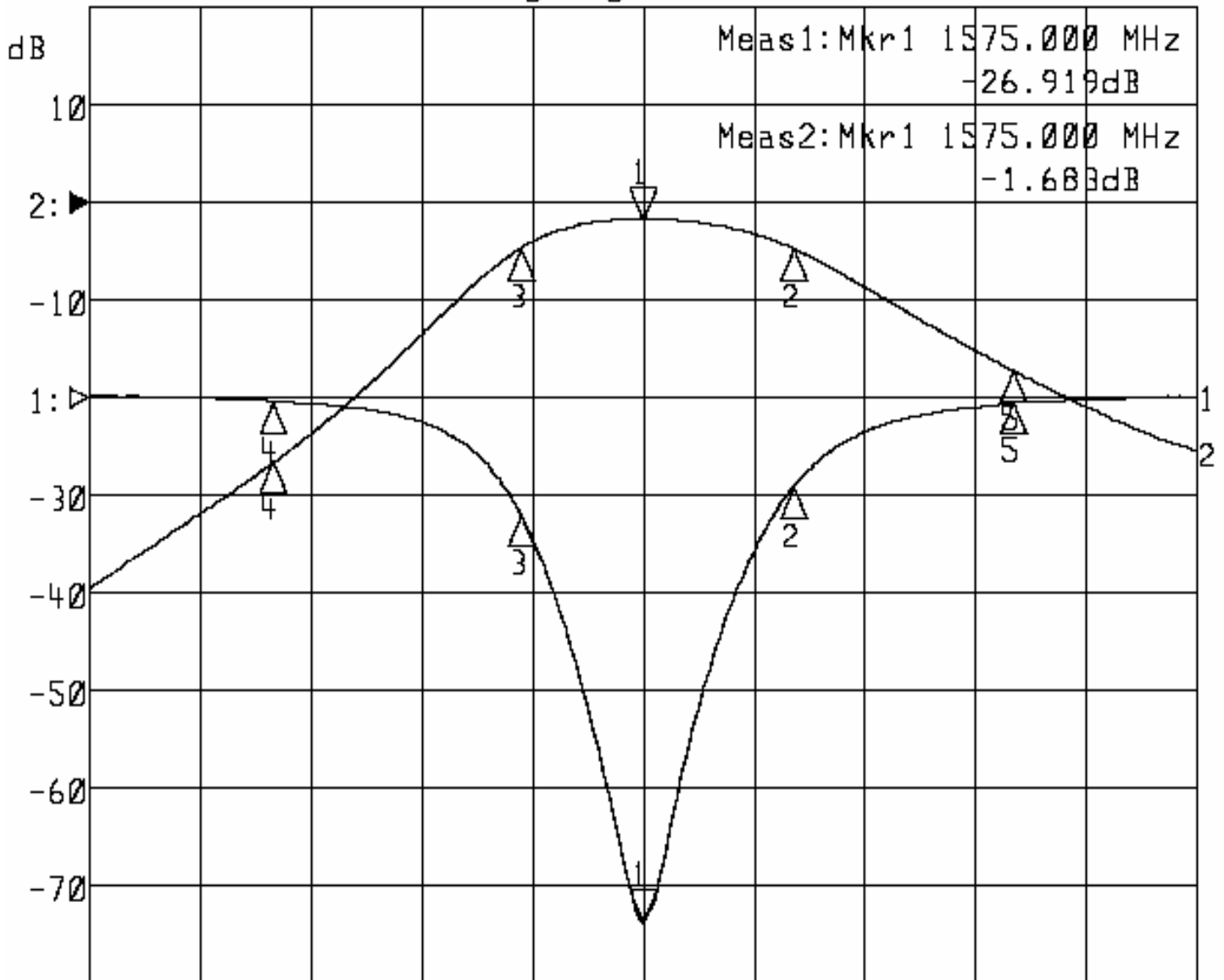
|            |            |           |                             |
|------------|------------|-----------|-----------------------------|
| Approval   | Supervisor | Designer  | Aperture size               |
| C.Y. Chang | C.S. Chang | W.W. Wang | 5W3(3.8*4.5)<br>5HW046RB3.2 |

TEMWELL CORPORATION

# Performance-TTW3765B-1575M

## 0605021C

▶1: S11 Refl Port1 Log Mag 5.0 dB/ Ref 0.00 dB C  
▶2: S21 Fwd Trans Log Mag 10.0 dB/ Ref 0.00 dB C



Center 1 575.000 MHz

Span 300.000 MHz

| 1: Mkr (MHz) | dB      | 2: Mkr (MHz) | dB      |
|--------------|---------|--------------|---------|
| 1> 1575.0000 | -26.919 | 1> 1575.0000 | -1.683  |
| 2: 1615.5000 | -4.612  | 2: 1615.5000 | -4.682  |
| 3: 1542.0000 | -5.955  | 3: 1542.0000 | -4.644  |
| 4: 1475.0000 | -0.196  | 4: 1475.0000 | -26.623 |
| 5: 1675.0000 | -0.290  | 5: 1675.0000 | -17.137 |