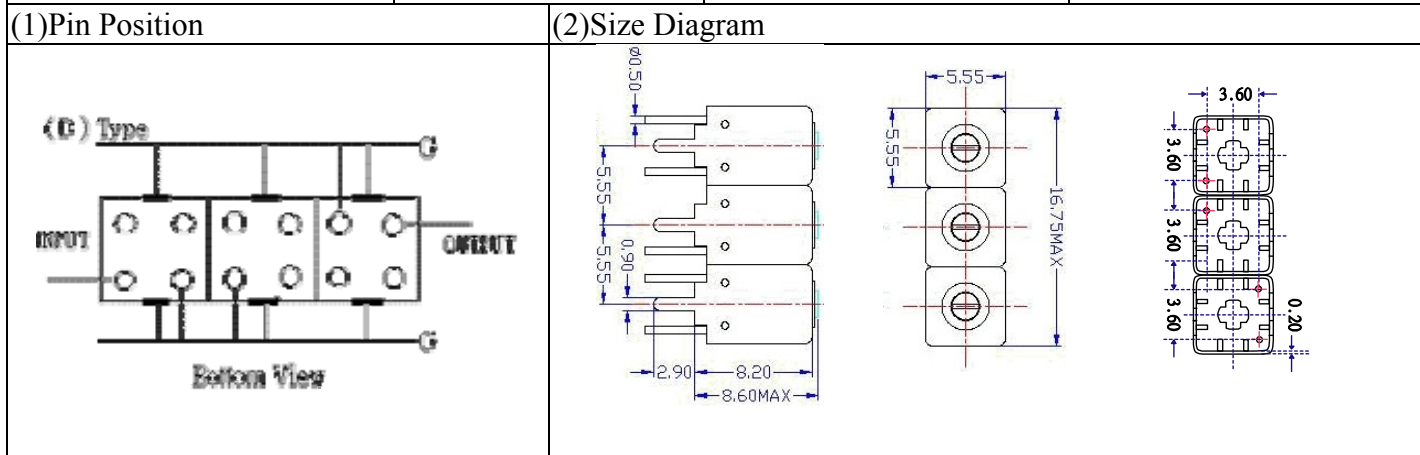


VHF UHF Helical Filter Specification Sheet

Customer Name		Temwell's Part No.	TTW3764B-1525M
Approval No. /dated	201407123CD	Temwell's Print Name.	3764B 1525M
Work Instruction No.	201407123CD	Date	Dec.04.2014



(3) Electric Character

Item	Specify	Performance
Center Freq.(Fo) +/- 0.5 %	1525 MHz	1525 MHz
Insertion Loss	Typ. 3.0 dB	1.80 dB
-3 dB Bandwidth	Typ. 63 MHz	75.7 MHz
Sensitivity (Attenuation)	Fo - 100 MHz	Typ. 24 dBc
	Fo + 100 MHz	Typ. 15 dBc
	Fo - ()MHz	Typ. dBc
	Fo +()MHz	Typ. dBc
Return Loss	Min. 12 dB	19.1 dB
Ripple	< 1 dB	
Impedance	In / Out : 50 Ω	In / Out : 50 Ω

(4) Torque for Tuning Screw > 60gf · cm

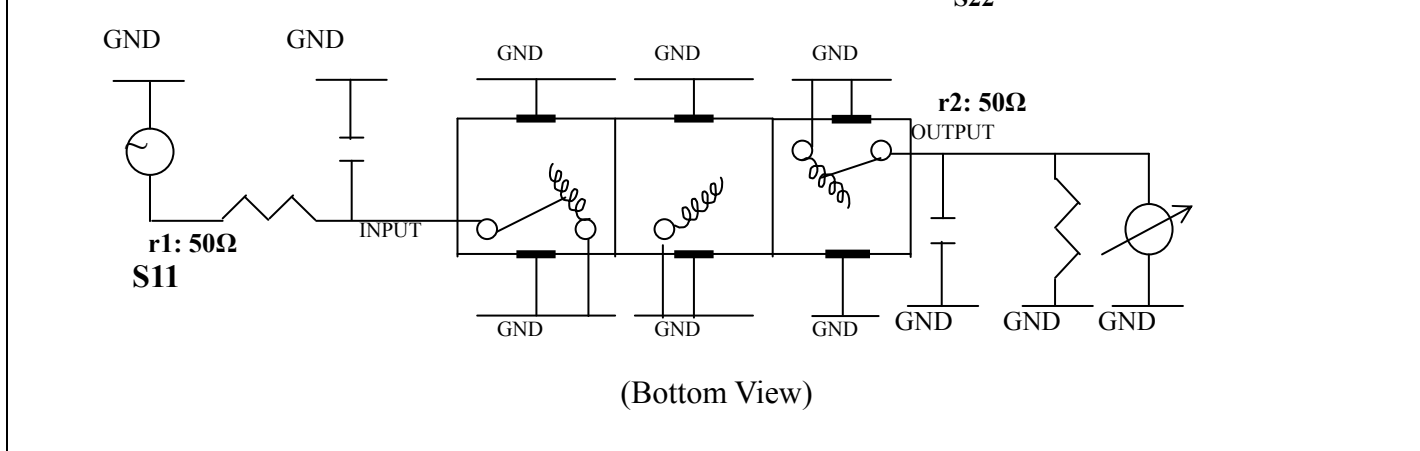
(5) Temperature Condition:

Operating Temperature	0°C ~ +60°C
-----------------------	-------------

Storage Temperature	-20°C ~ +70°C
---------------------	---------------

(6) Input Power > 0.5Watt

(7) Measuring Circuit: ※Easy to match Impedance S11/S22 50Ω by parallel with about(--) / (--).



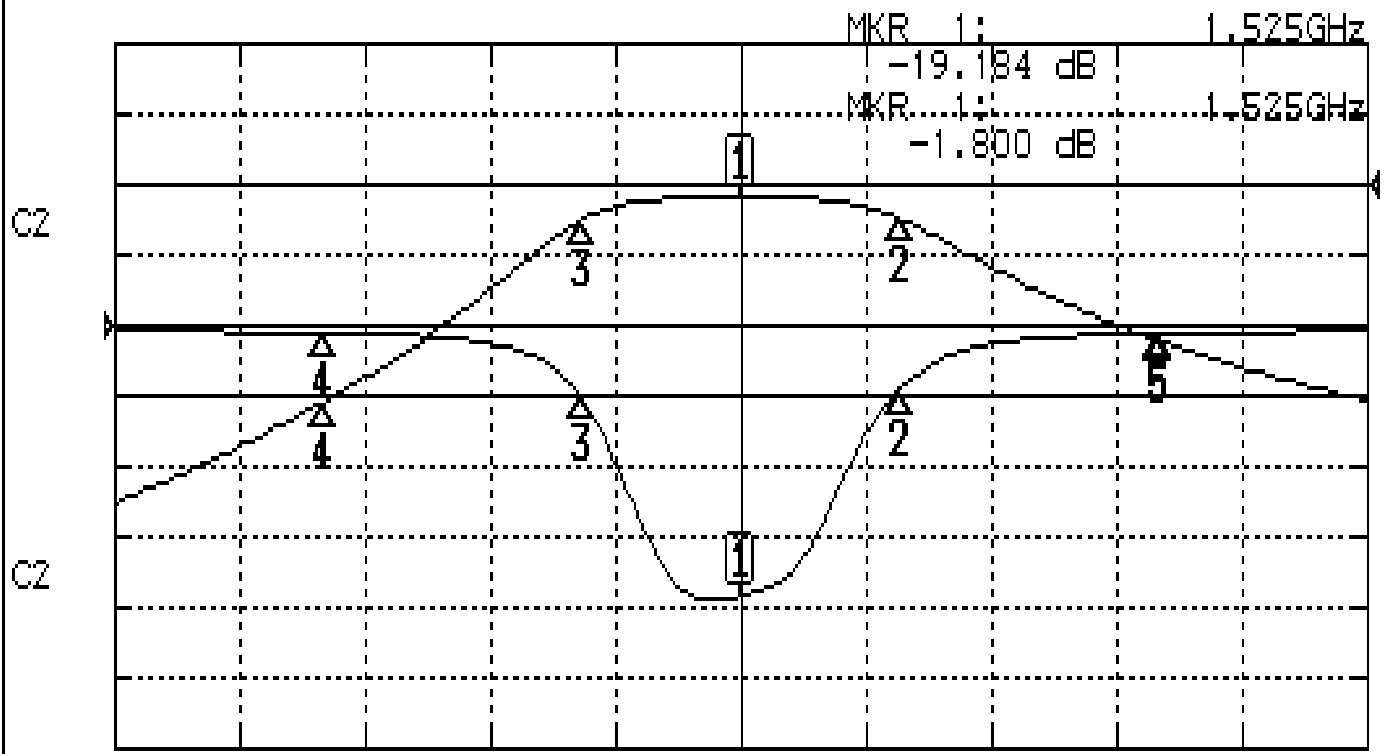
Approval C.Y.Chang	Supervisor C.K.Chang	Designer J.Yang	Aperture size 5W3S(3.8*4.5)(4.54) 5HW046RB3.2
-----------------------	-------------------------	--------------------	-----------------------------------------------------

TEMWELL CORPORATION

Performance-TTW3764B-1525M

201407123CD

CH1 S11 LOG MAG REF 0.000 dB 5.000 dB/
CH2 S21 LOG MAG REF 0.000 dB 10.000 dB/



CENTER 1.525GHz

[10.00 dBm]

SPAN 300MHz

CH1 MARKER LIST

Marker	Frequency (GHz)	Value (dB)
1	1.525 000	-19.184
2	1.563 000	-4.487
3	1.487 250	-5.237
4	1.425 000	-0.532
5	1.625 000	-0.541

CH2 MARKER LIST

Marker	Frequency (GHz)	Value (dB)
1	1.525 000	-1.801
2	1.563 000	-4.827
3	1.487 250	-4.877
4	1.425 000	-30.801
5	1.625 000	-22.114