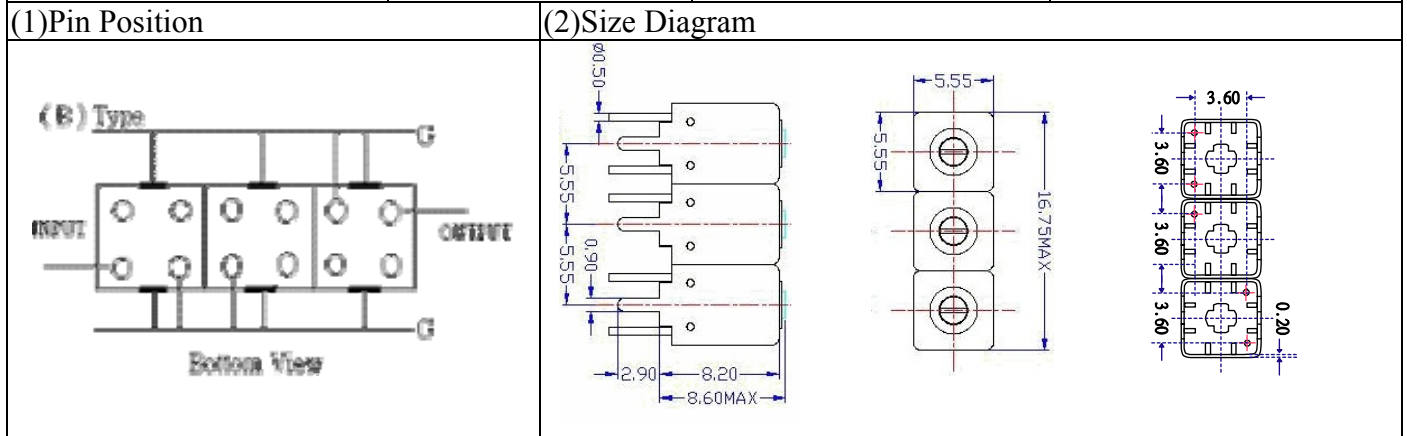
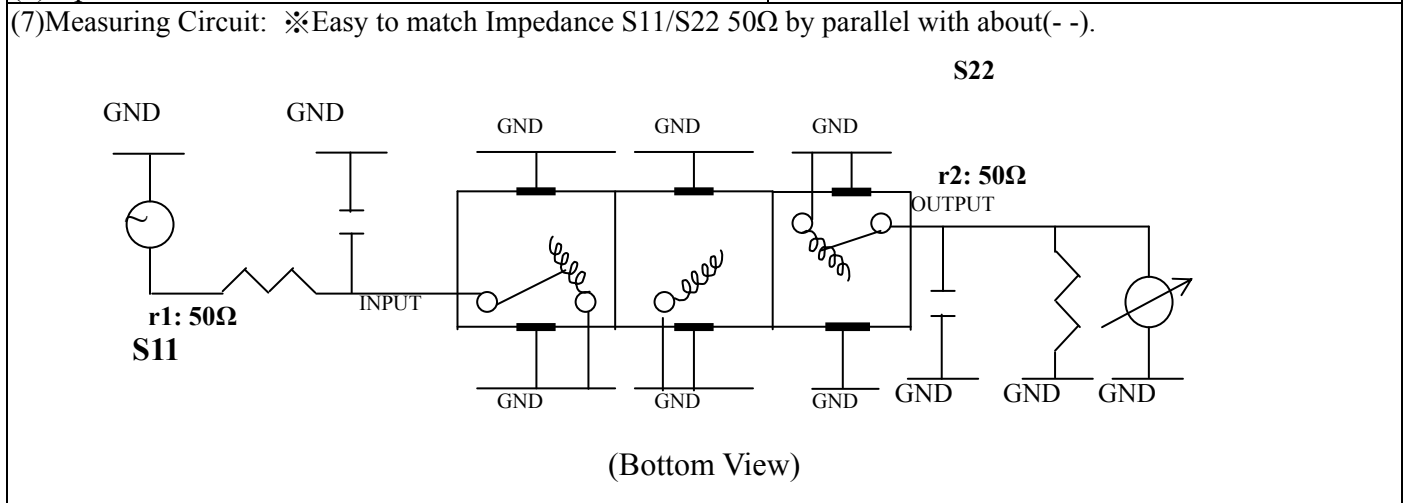


VHF UHF Helical Filter Specification Sheet

Customer Name		Temwell's Part No.	TTW3763B-1475M
Approval No. /dated	201407122CD	Temwell's Print Name.	3763B 1475M
Work Instruction No.	201407122CD	Date	Dec.05.2014



(3) Electric Character			
Item		Specify	Performance
Center Freq.(Fo) +/- 0.5 %		1475 MHz	1475 MHz
Insertion Loss		Typ. 3.0 dB	1.74 dB
-3 dB Bandwidth		Typ. 60 MHz	70.2 MHz
Sensitivity (Attenuation)	Fo - 150 MHz	Typ. 32 dBc	37 dBc
	Fo + 150 MHz	Typ. 20 dBc	25 dBc
	Fo - ()MHz	Typ. dBc	dBc
	Fo +()MHz	Typ. dBc	dBc
Return Loss		Min. 12 dB	29.1 dB
Ripple		< 1 dB	dB
Impedance		In / Out : 50 Ω	In / Out : 50 Ω
(4) Torque for Tuning Screw		> 60gf · cm	
(5) Temperature Condition:			
Operating Temperature		0°C ~ +60°C	
Storage Temperature		-20°C ~ +70°C	
(6) Input Power		> 0.5Watt	



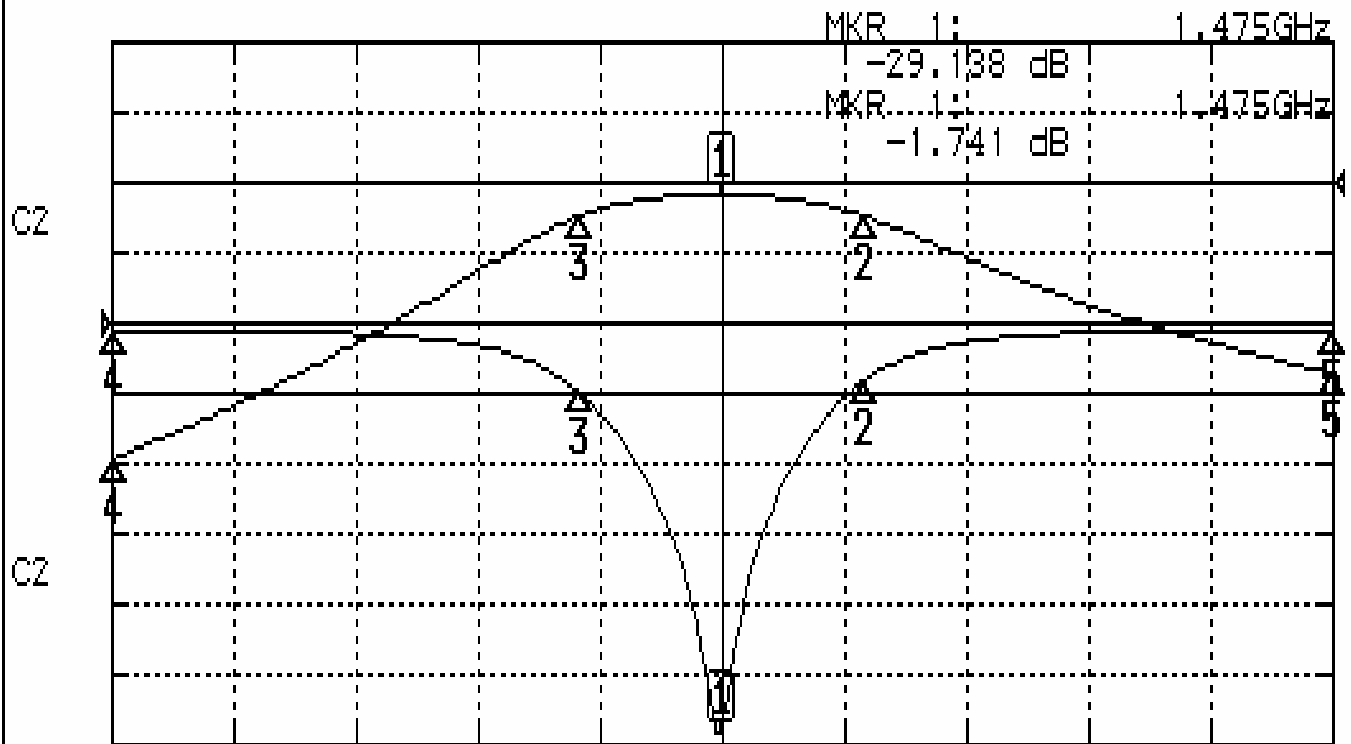
Approval C.Y.Chang	Supervisor C.K.Chang	Designer M.Y.Kang	Aperture size 5W3S(3.8*4.5)(4.47) 5HW046RB3.2
-----------------------	-------------------------	----------------------	---

TEMWELL CORPORATION

Performance-TTW3763B-1475M

201407122CD

CH1 S11 LOG MAG REF 0.000 dB 5.000 dB/
 CH2 S21 LOG MAG REF 0.000 dB 10.000 dB/



CENTER 1.475GHz

[10.00 dBm]

SPAN 300MHz

CH1 MARKER LIST

1:	1.475 000GHz	-29.174 dB
2:	1.510 000GHz	-4.080 dB
3:	1.439 750GHz	-4.858 dB
4:	1.325 000GHz	-0.465 dB
5:	1.625 000GHz	-0.457 dB

CH2 MARKER LIST

1:	1.475 000GHz	-1.741 dB
2:	1.510 000GHz	-4.788 dB
3:	1.439 750GHz	-4.741 dB
4:	1.325 000GHz	-39.278 dB
5:	1.625 000GHz	-27.035 dB