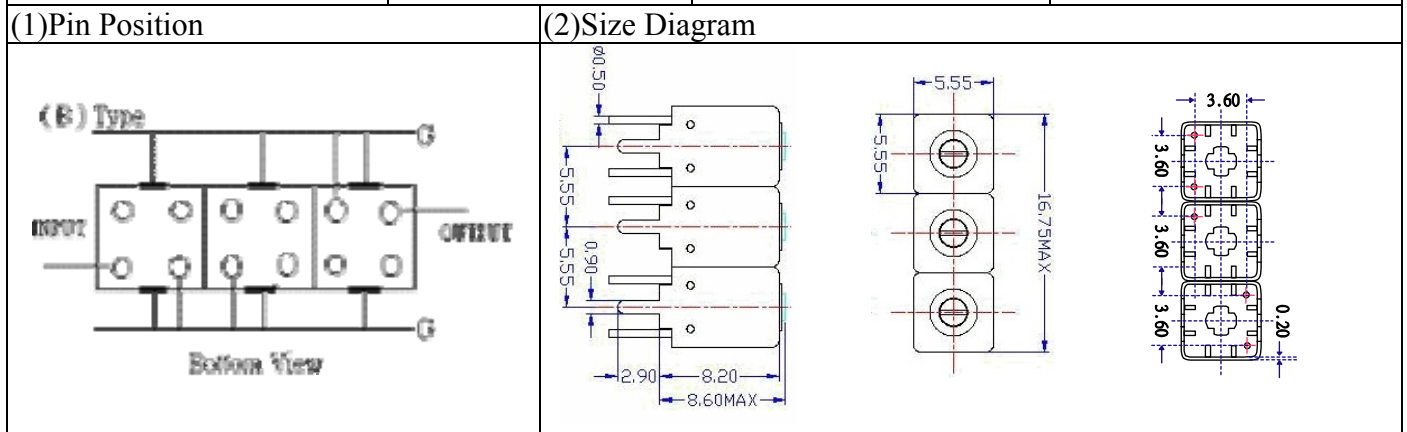


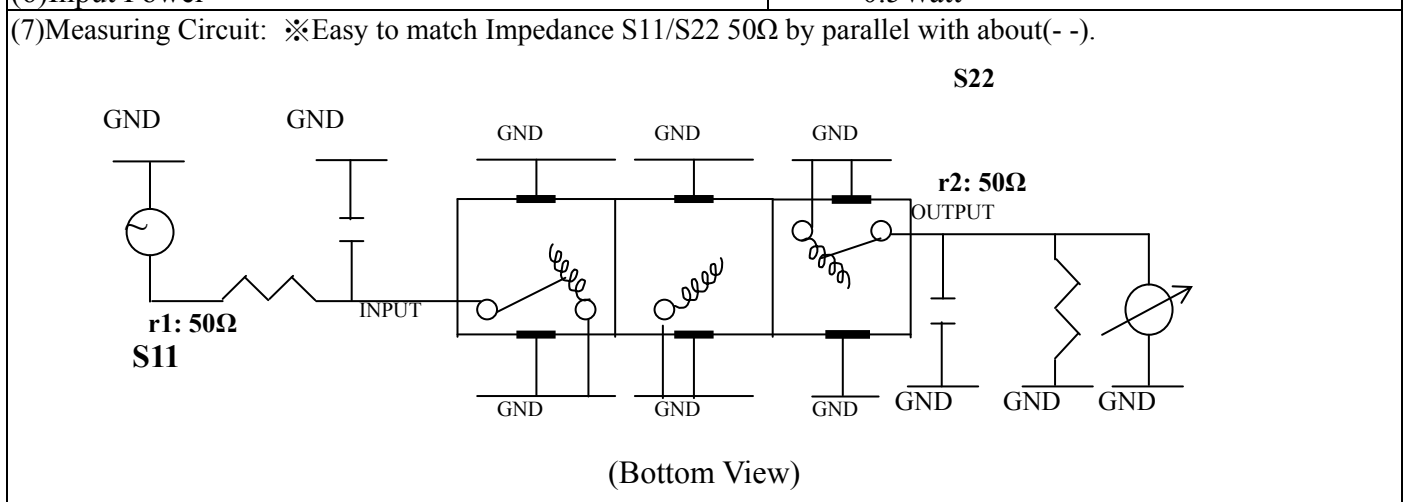
VHF UHF Helical Filter Specification Sheet

Customer Name		Temwell's Part No.	TTW3762B-1425M
Approval No. /dated	201407120CD	Temwell's Print Name.	3762B 1425M
Work Instruction No.	201407120CD	Date	Nov.21.2014



(3) Electric Character		Item	Specify	Performance
		Center Freq.(Fo) +/- 0.5 %	1425 MHz	1425 MHz
		Insertion Loss	Typ. 2.5 dB	1.67 dB
		-3 dB Bandwidth	Typ. 62 MHz	72.7 MHz
Sensitivity (Attenuation)	Fo - 150 MHz	Typ. 37 dBc		42 dBc
	Fo + 150 MHz	Typ. 24 dBc		29 dBc
	Fo - ()MHz	Typ. dBc		dBc
	Fo +()MHz	Typ. dBc		dBc
		Return Loss	Min. 12 dB	28.8 dB
		Ripple	< 1 dB	dB
		Impedance	In / Out : 50 Ω	In / Out : 50 Ω
(4) Torque for Tuning Screw		> 60gf · cm		

(5) Temperature Condition:	
Operating Temperature	0°C ~ +60°C
Storage Temperature	-20°C ~ +70°C
(6) Input Power	> 0.5Watt

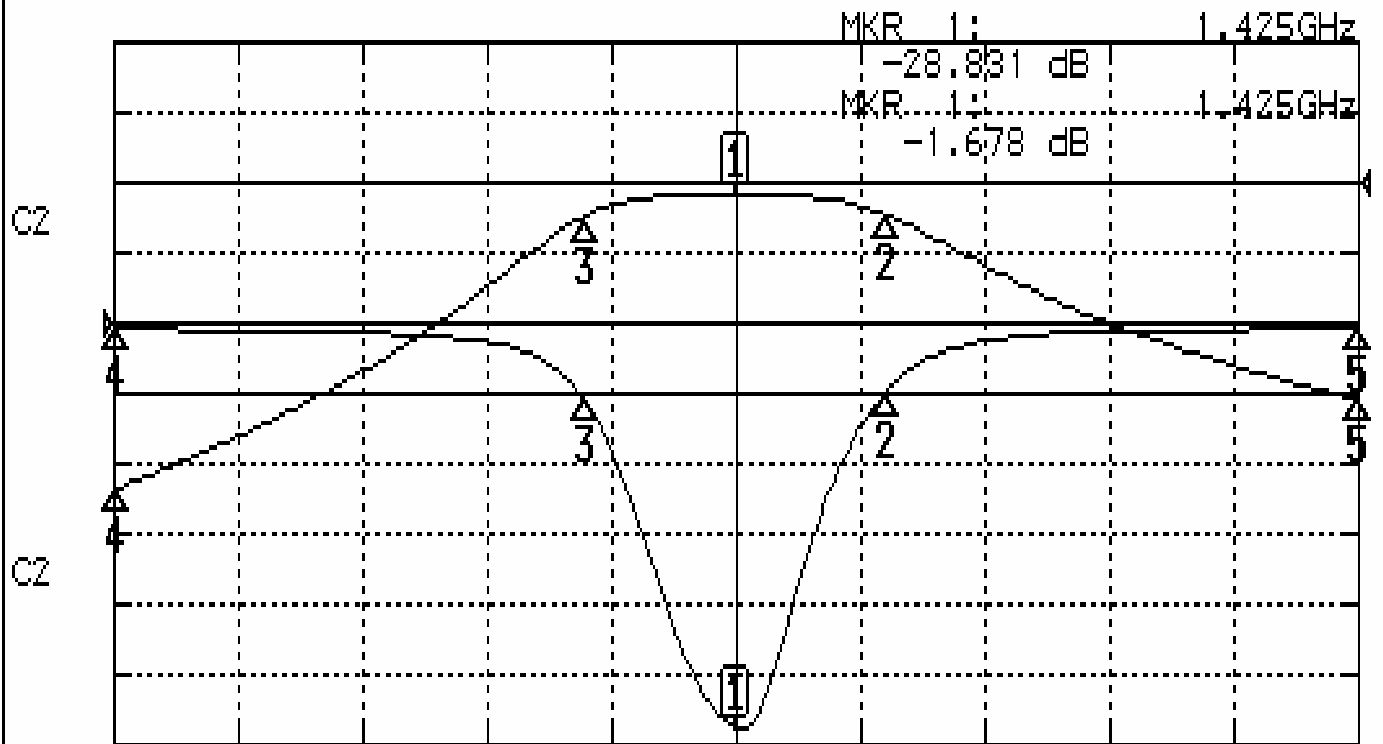


Approval	Supervisor	Designer	Aperture size
C.Y.Chang	C.K.Chang	M.Y.Kang	5W3S(3.8*4.5)(4.47) 5HW046RB3.2

Performance-TTW3762B-1425M

201407120CD

CH1 S11 LOG MAG REF 0.000 dB 5.000 dB/
CH2 S21 LOG MAG REF 0.000 dB 10.000 dB/



CENTER 1.425GHz

[10.00 dBm]

SPAN 300MHz

CH1 MARKER LIST

Marker	Freq (GHz)	Magnitude (dB)
1:	1.425 000GHz	-28.831 dB
2:	1.461 500GHz	-4.759 dB
3:	1.388 750GHz	-5.583 dB
4:	1.275 000GHz	-0.419 dB
5:	1.575 000GHz	-0.388 dB

CH2 MARKER LIST

Marker	Freq (GHz)	Magnitude (dB)
1:	1.425 000GHz	-1.678 dB
2:	1.461 500GHz	-4.634 dB
3:	1.388 750GHz	-4.658 dB
4:	1.275 000GHz	-43.606 dB
5:	1.575 000GHz	-30.787 dB