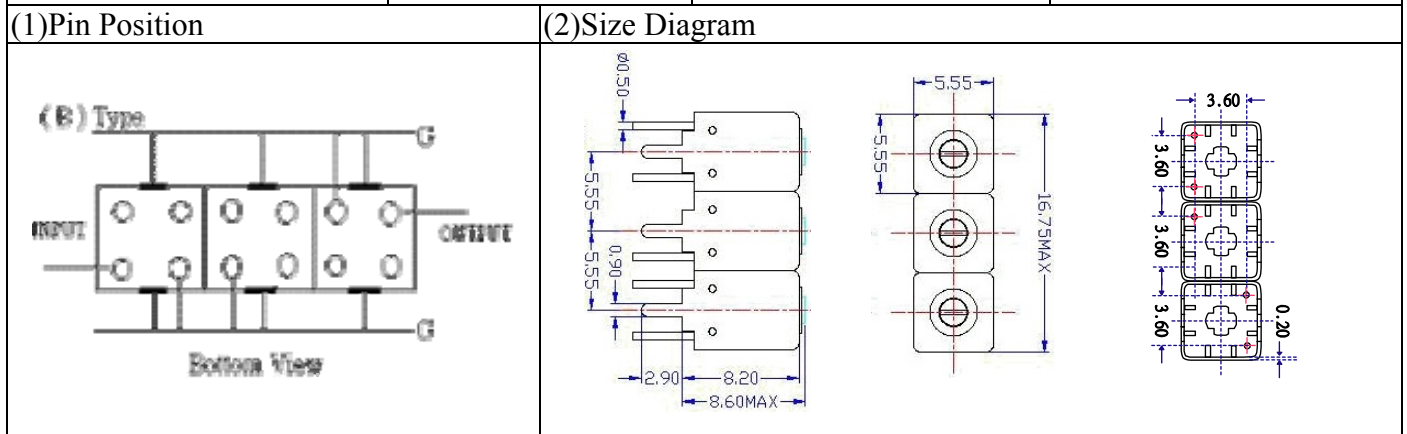


VHF UHF Helical Filter Specification Sheet

Customer Name		Temwell's Part No.	TTW3760B-1325M
Approval No. /dated	201407115CD	Temwell's Print Name.	3760B 1325M
Work Instruction No.	201407115CD	Date	Nov.10.2014



(3) Electric Character		Item	Specify	Performance
		Center Freq.(Fo) +/- 0.5 %	1325 MHz	1325 MHz
		Insertion Loss	Typ. 3.0 dB	1.91 dB
		-3 dB Bandwidth	Typ. 60 MHz	67.5 MHz
Sensitivity (Attenuation)	Fo - 100 MHz	Typ. 30 dBc		32 dBc
	Fo + 100 MHz	Typ. 18 dBc		22 dBc
	Fo - ()MHz	Typ. dBc		dBc
	Fo +()MHz	Typ. dBc		dBc
		Return Loss	Min. 12 dB	23.3 dB
		Ripple	< 1 dB	dB
		Impedance	In / Out : 50 Ω	In / Out : 50 Ω

(4) Torque for Tuning Screw > 60gf · cm

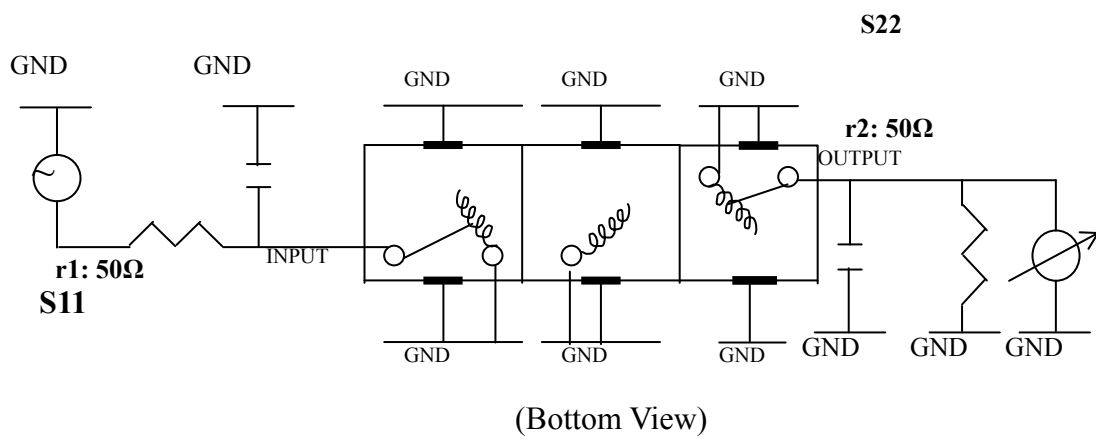
(5) Temperature Condition:

Operating Temperature 0°C ~ +60°C

Storage Temperature -20°C ~ +70°C

(6) Input Power > 0.5Watt

(7) Measuring Circuit: ※Easy to match Impedance S11/S22 50Ω by parallel with about(--) / (--).



Approval	Supervisor	Designer	Aperture size
C.Y.Chang	C.K.Chang	F.L.Lai	5W3S(3.8*5.1)(5.13) 5HW046RB3.2

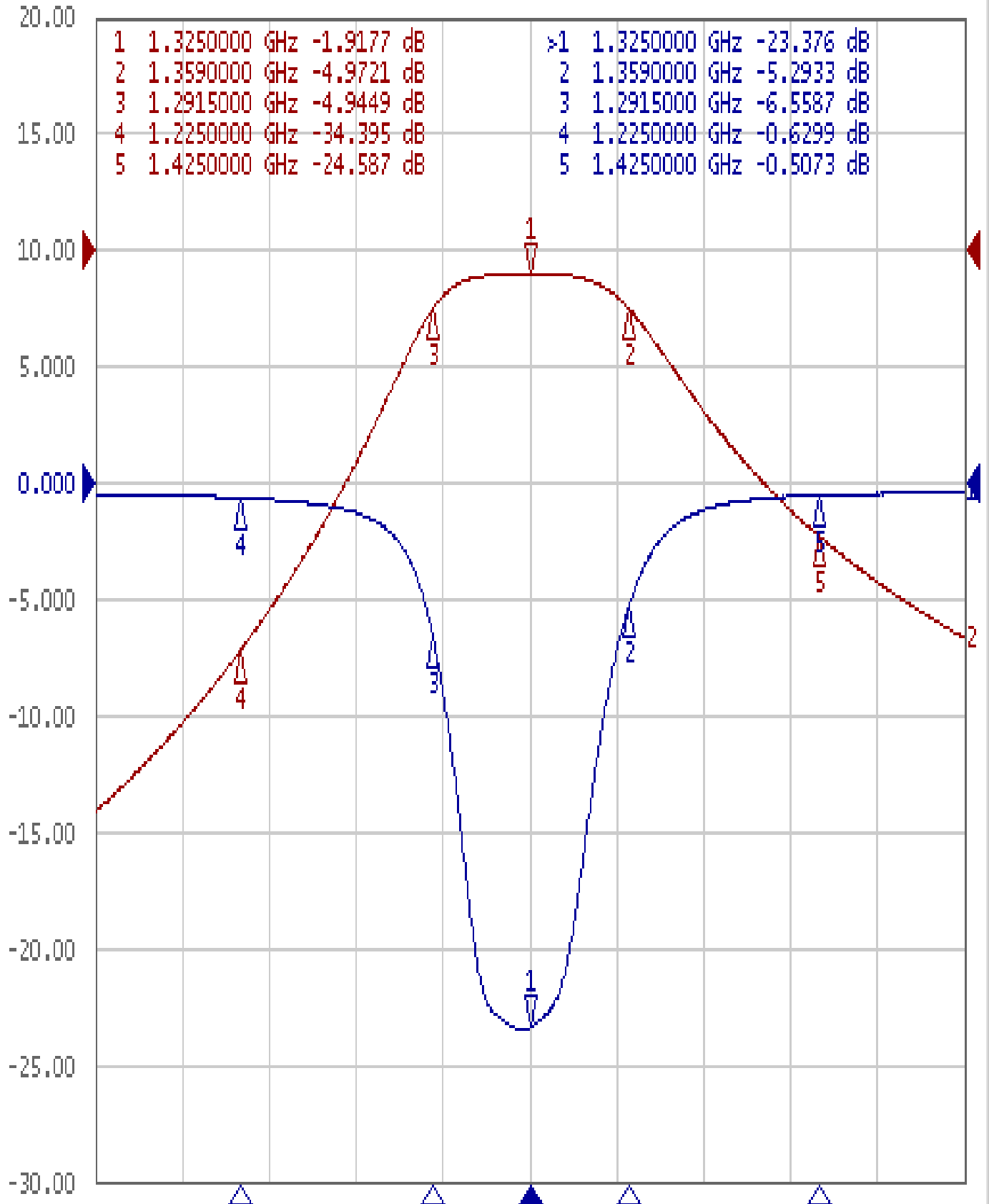
TEMWELL CORPORATION

Performance-TTW3760B-1325M

201407115CD

▶ Tr1 S11 Log Mag 5.000dB/ Ref 0.000dB [F2]

Tr2 S21 Log Mag 10.00dB/ Ref 0.000dB [F2]



1 Center 1.325 GHz

IFBW 10 kHz

Span 300 MHz

Cor !