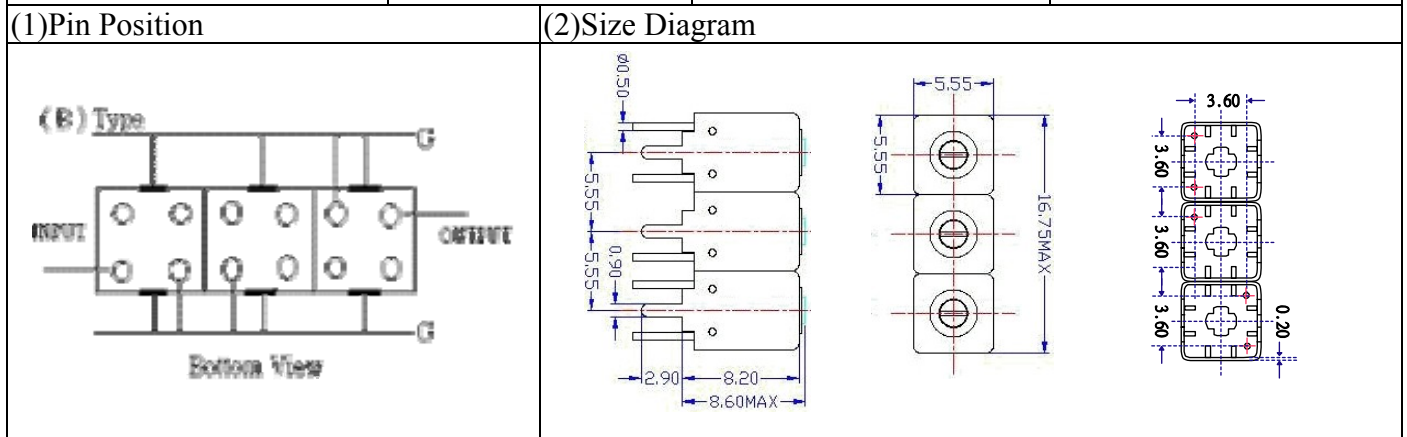
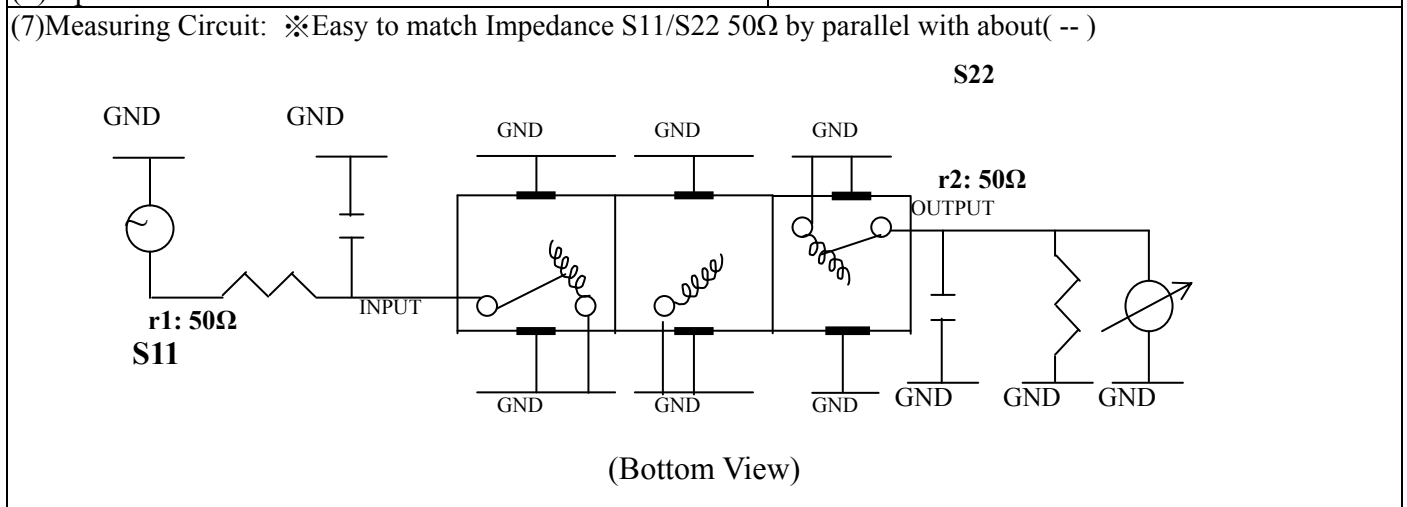


# VHF UHF Helical Filter Specification Sheet

Customer Name		Temwell's Part No.	TTW3756B-2375M
Approval No. /dated	201407153CD	Temwell's Print Name.	3756B 2375M
Work Instruction No.	201407153CD	Date	Jan.09.2015



(3) Electric Character			
Item		Specify	Performance
Center Freq.(Fo) +/- 0.5 %		2375 MHz	2375 MHz
Insertion Loss		Typ. 4.0 dB	2.85 dB
-3 dB Bandwidth		Typ. 58 MHz	74.7 MHz
Sensitivity (Attenuation)	Fo - 150 MHz	Typ. 31 dBc	36 dBc
	Fo + 150 MHz	Typ. 21 dBc	26 dBc
	Fo - ( )MHz	Typ. dBc	dBc
	Fo +( )MHz	Typ. dBc	dBc
Return Loss		Min. 12 dB	26.8 dB
Ripple		< 1 dB	dB
Impedance		In / Out : 50 Ω	In / Out : 50 Ω
(4) Torque for Tuning Screw		> 60gf • cm	
(5) Temperature Condition:			
Operating Temperature		0°C ~ +60°C	
Storage Temperature		-20°C ~ +70°C	
(6) Input Power		> 0.5Watt	



Approval	Supervisor	Designer	Aperture size
C.Y.Chang	C.K.Chang	C.S.Chang	5W3S(3.8*4.0)(4.08) 5HW046RB3.2(J1)

TEMWELL CORPORATION

# Performance-TTW3756B-2375M

## 201407153CD

