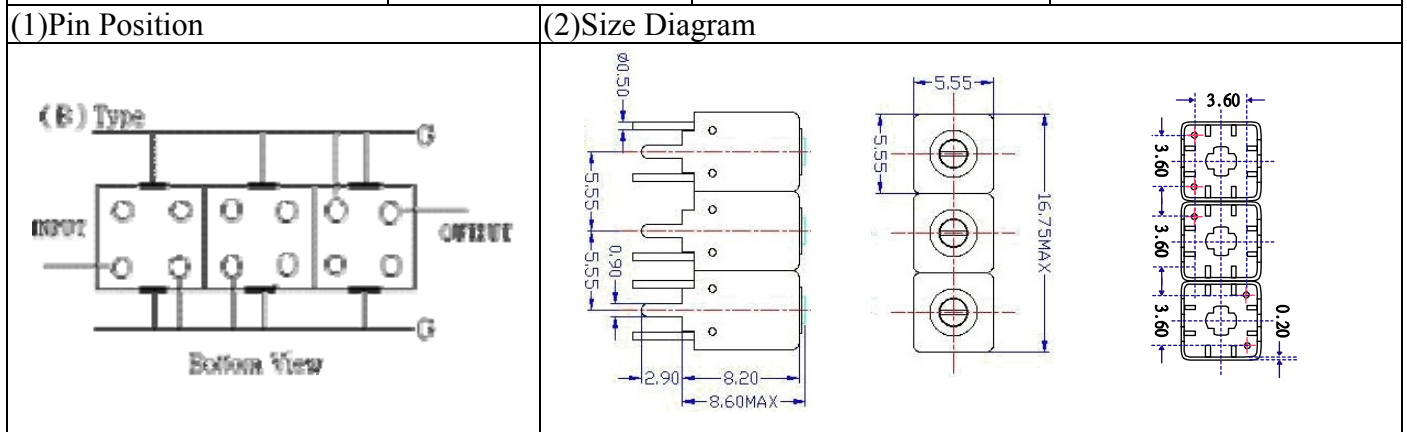


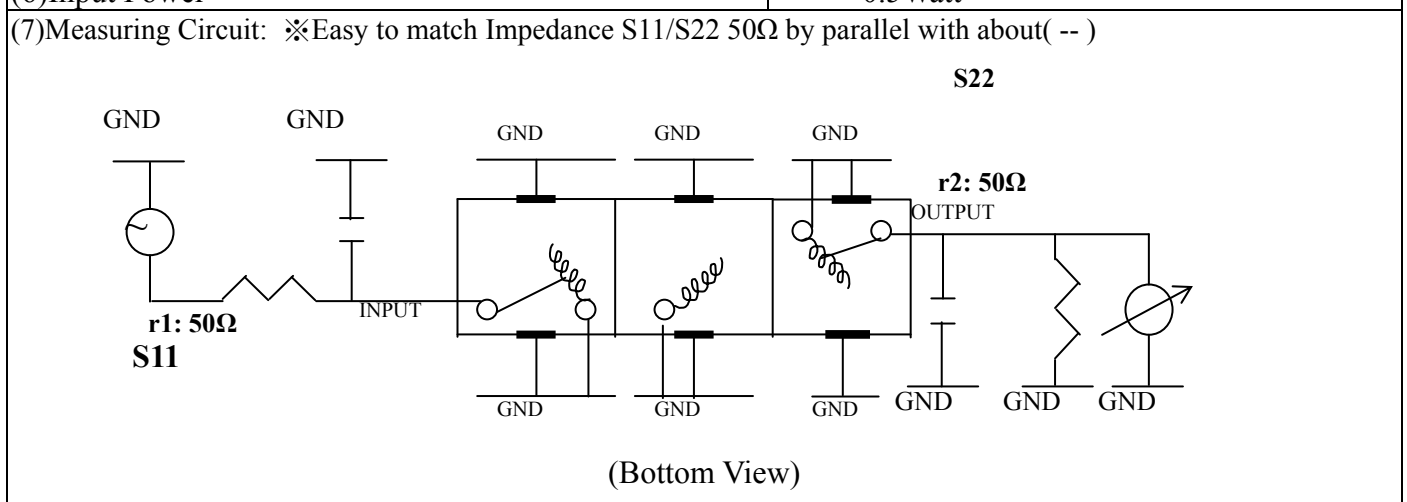
VHF UHF Helical Filter Specification Sheet

Customer Name		Temwell's Part No.	TTW3755B-2325M
Approval No. /dated	201407150CD	Temwell's Print Name.	3755B 2325M
Work Instruction No.	201407150CD	Date	Dec.31.2014



(3) Electric Character			
Item		Specify	Performance
Center Freq.(Fo) +/- 0.5 %		2325 MHz	2325 MHz
Insertion Loss		Typ. 4.0 dB	2.74 dB
-3 dB Bandwidth		Typ. 60 MHz	71.8 MHz
Sensitivity (Attenuation)	Fo - 150 MHz	Typ. 31 dBc	36 dBc
	Fo + 150 MHz	Typ. 23 dBc	28 dBc
	Fo - ()MHz	Typ. dBc	dBc
	Fo +()MHz	Typ. dBc	dBc
Return Loss		Min. 12 dB	25.8 dB
Ripple		< 1 dB	dB
Impedance		In / Out : 50 Ω	In / Out : 50 Ω
(4) Torque for Tuning Screw		> 60gf · cm	

(5) Temperature Condition:	
Operating Temperature	0°C ~ +60°C
Storage Temperature	-20°C ~ +70°C
(6) Input Power	> 0.5Watt



Approval	Supervisor	Designer	Aperture size
C.Y.Chang	C.K.Chang	C.S.Chang	5W3S(3.8*3.5)(3.56) 5HW046RB3.2(J1)

TEMWELL CORPORATION

TEMWELL

Form10-5W3B Vision D

RP(C.S.C)

Performance-TTW3755B-2325M

201407150CD

