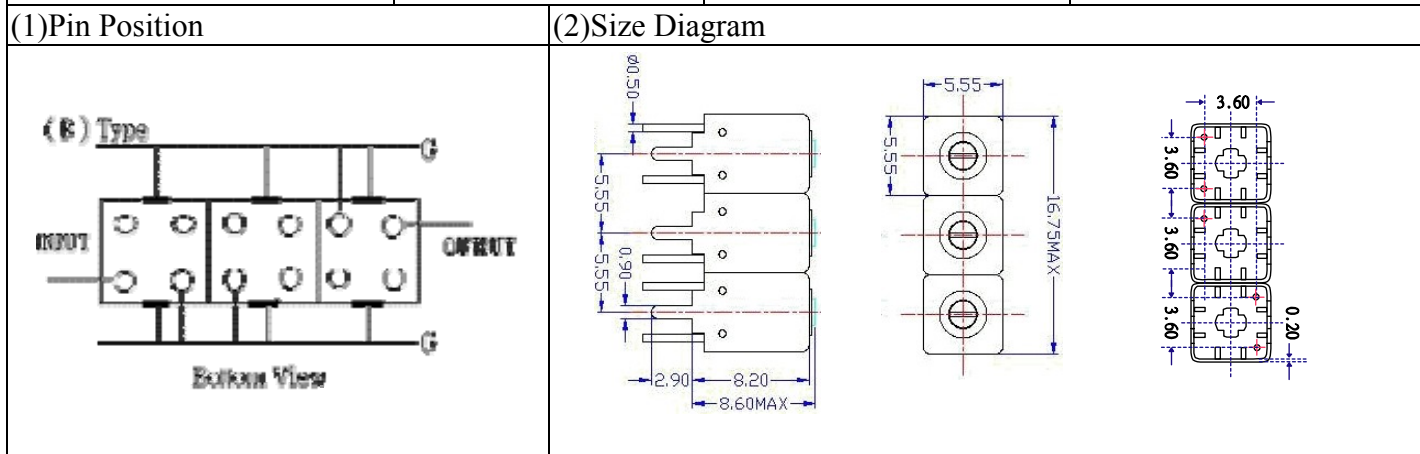


VHF UHF Helical Filter Specification Sheet

| | | | |
|----------------------|-------------|-----------------------|----------------|
| Customer Name | | Temwell's Part No. | TTW3752B-2175M |
| Approval No. /dated | 201407141CD | Temwell's Print Name. | 3752B 2175M |
| Work Instruction No. | 201407141CD | Date | Dec.09.2014 |



(3) Electric Character

| Item | Specify | Performance |
|------------------------------|-----------------|-----------------|
| Center Freq.(Fo) +/- 0.5 % | 2175 MHz | 2175 MHz |
| Insertion Loss | Typ. 3.5 dB | 2.62 dB |
| -3 dB Bandwidth | Typ. 57 MHz | 70.9 MHz |
| Sensitivity (Attenuation) | Fo - 150 MHz | Typ. 32 dBc |
| | Fo + 150 MHz | Typ. 22 dBc |
| | Fo - ()MHz | Typ. dBc |
| | Fo +()MHz | Typ. dBc |
| Return Loss | Min. 12 dB | 30.1 dB |
| Ripple | < 1 dB | dB |
| Impedance | In / Out : 50 Ω | In / Out : 50 Ω |

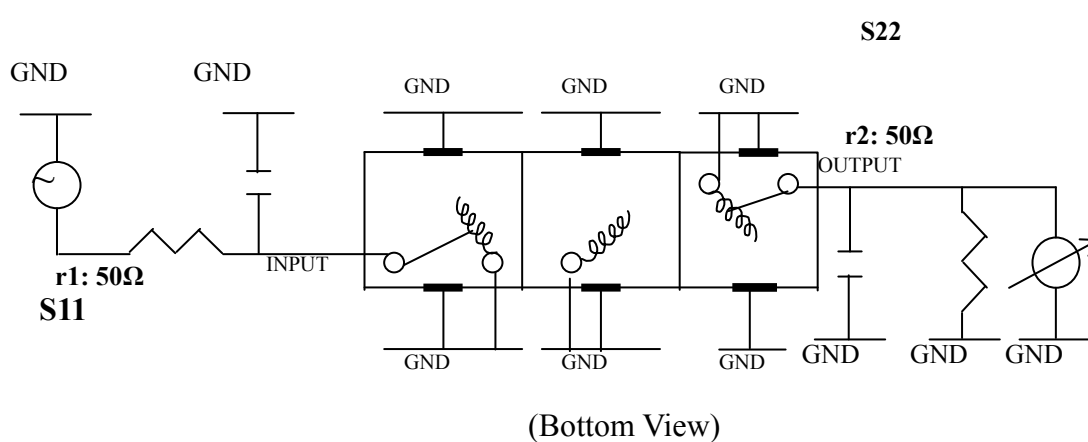
(4) Torque for Tuning Screw > 60gf • cm

(5) Temperature Condition:

| | |
|-----------------------|---------------|
| Operating Temperature | 0°C ~ +60°C |
| Storage Temperature | -20°C ~ +70°C |

(6) Input Power > 0.5Watt

(7) Measuring Circuit: ※Easy to match Impedance S11/S22 50Ω by parallel with about(--)



| | | | |
|-----------|------------|-----------|--|
| Approval | Supervisor | Designer | Aperture size |
| C.Y.Chang | C.K.Chang | C.S.Chang | 5W3S(3.8*4.5)(4.56) 5HW046RB3.2(J1) |

TEMWELL CORPORATION

Performance-TTW3752B-2175M

201407141CD

Tr1 S11 Log Mag 5.000dB/ Ref 0.000dB [F2]
Tr2 S21 Log Mag 10.00dB/ Ref 0.000dB [F2]

