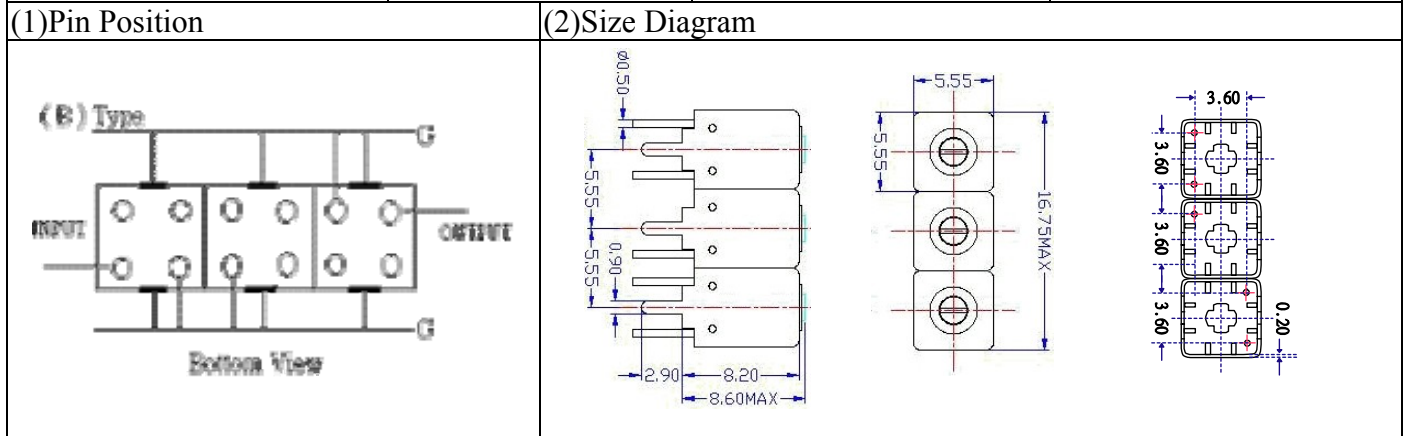
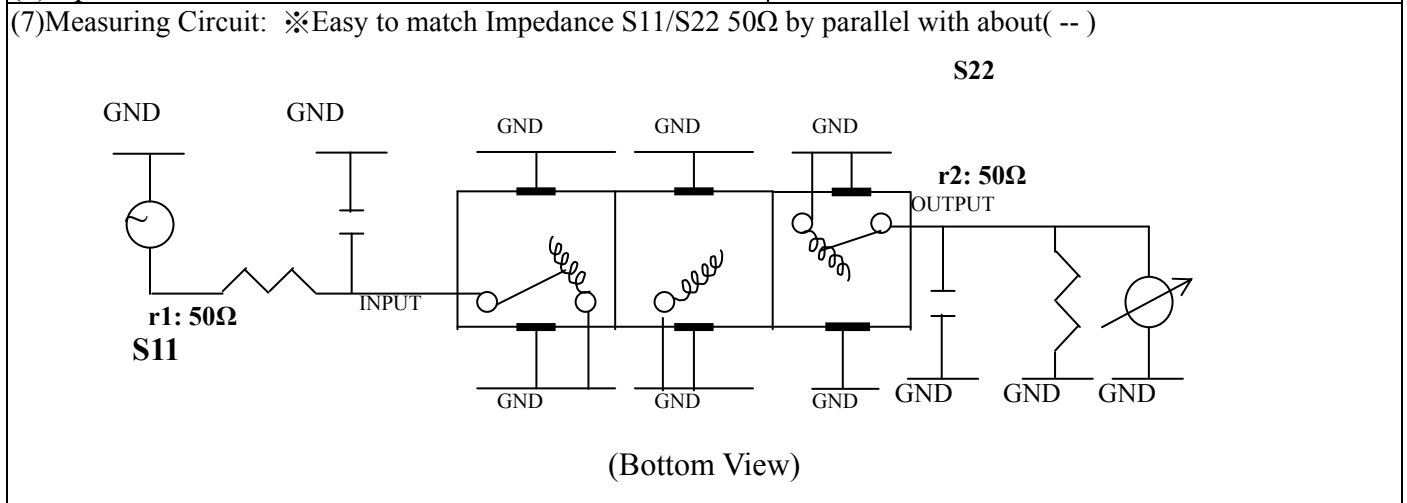


# VHF UHF Helical Filter Specification Sheet

Customer Name		Temwell's Part No.	TTW3750B-2025M
Approval No. /dated	201407136CD	Temwell's Print Name.	3750B 2025M
Work Instruction No.	201407136CD	Date	Dec.02.2014



(3) Electric Character					
Item	Specify		Performance		
Center Freq.(Fo) +/- 0.5 %	2025	MHz	2025	MHz	
Insertion Loss	Typ. 3.5	dB	2.41	dB	
-3 dB Bandwidth	Typ. 58	MHz	72.0	MHz	
Sensitivity (Attenuation)	Fo - 150 MHz	Typ. 33	dBc	36	dBc
	Fo + 150 MHz	Typ. 21	dBc	24	dBc
	Fo - ( )MHz	Typ.	dBc		dBc
	Fo +( )MHz	Typ.	dBc		dBc
Return Loss	Min. 12	dB	22.1	dB	
Ripple	< 1	dB		dB	
Impedance	In / Out : 50 Ω		In / Out : 50 Ω		
(4) Torque for Tuning Screw					
> 60gf • cm					
(5) Temperature Condition:					
Operating Temperature		0°C ~ +60°C			
Storage Temperature		-20°C ~ +70°C			
(6) Input Power					
> 0.5Watt					



Approval C.Y.Chang	Supervisor C.K.Chang	Designer C.S.Chang	Aperture size 5W3S(3.8*4.5)(4.58) 5HW046RB3.2 (J1)
-----------------------	-------------------------	-----------------------	--

TEMWELL CORPORATION

# Performance-TTW3750B-2025M

## 201407136CD

Tr1 S11 Log Mag 5.000dB/ Ref 0.000dB [F2]  
Tr2 S21 Log Mag 10.00dB/ Ref 0.000dB [F2]

