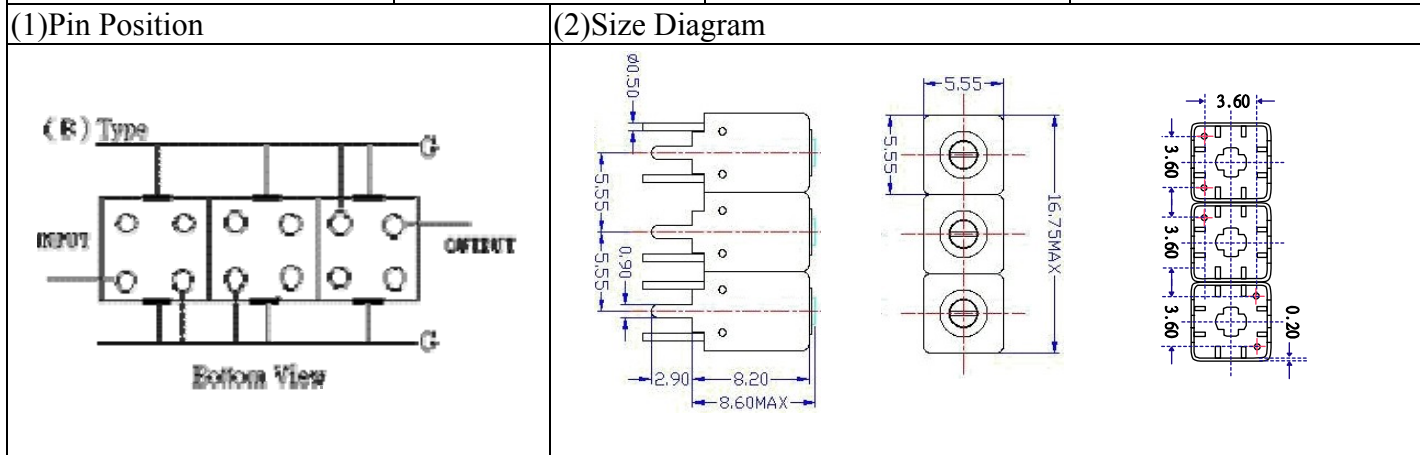


VHF UHF Helical Filter Specification Sheet

Customer Name		Temwell's Part No.	TTW3748B-1875M
Approval No. /dated	201407083CD	Temwell's Print Name.	3748B 1875M
Work Instruction No.	201407083CD	Date	Dec.17.2014



(3) Electric Character

Item	Specify	Performance
Center Freq.(Fo) +/- 0.5 %	1875 MHz	1875 MHz
Insertion Loss	Typ. 4.0 dB	2.52 dB
-3 dB Bandwidth	Typ. 56 MHz	70.2 MHz
Sensitivity (Attenuation)	Fo - 100 MHz	Typ. 26 dBc
	Fo + 100 MHz	Typ. 18 dBc
	Fo - ()MHz	Typ. dBc
	Fo + ()MHz	Typ. dBc
Return Loss	Min. 12 dB	39.7 dB
Ripple	< 1 dB	dB
Impedance	In / Out : 50 Ω	In / Out : 50 Ω

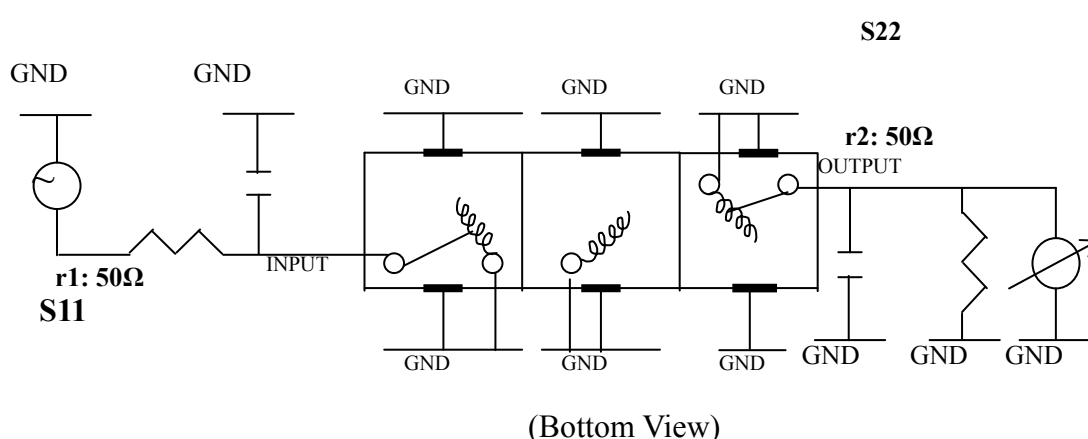
(4) Torque for Tuning Screw > 60gf · cm

(5) Temperature Condition: Operating Temperature 0°C ~ +60°C

Storage Temperature -20°C ~ +70°C

(6) Input Power > 0.5Watt

(7) Measuring Circuit: ※Easy to match Impedance S11/S22 50Ω by parallel with about(--).

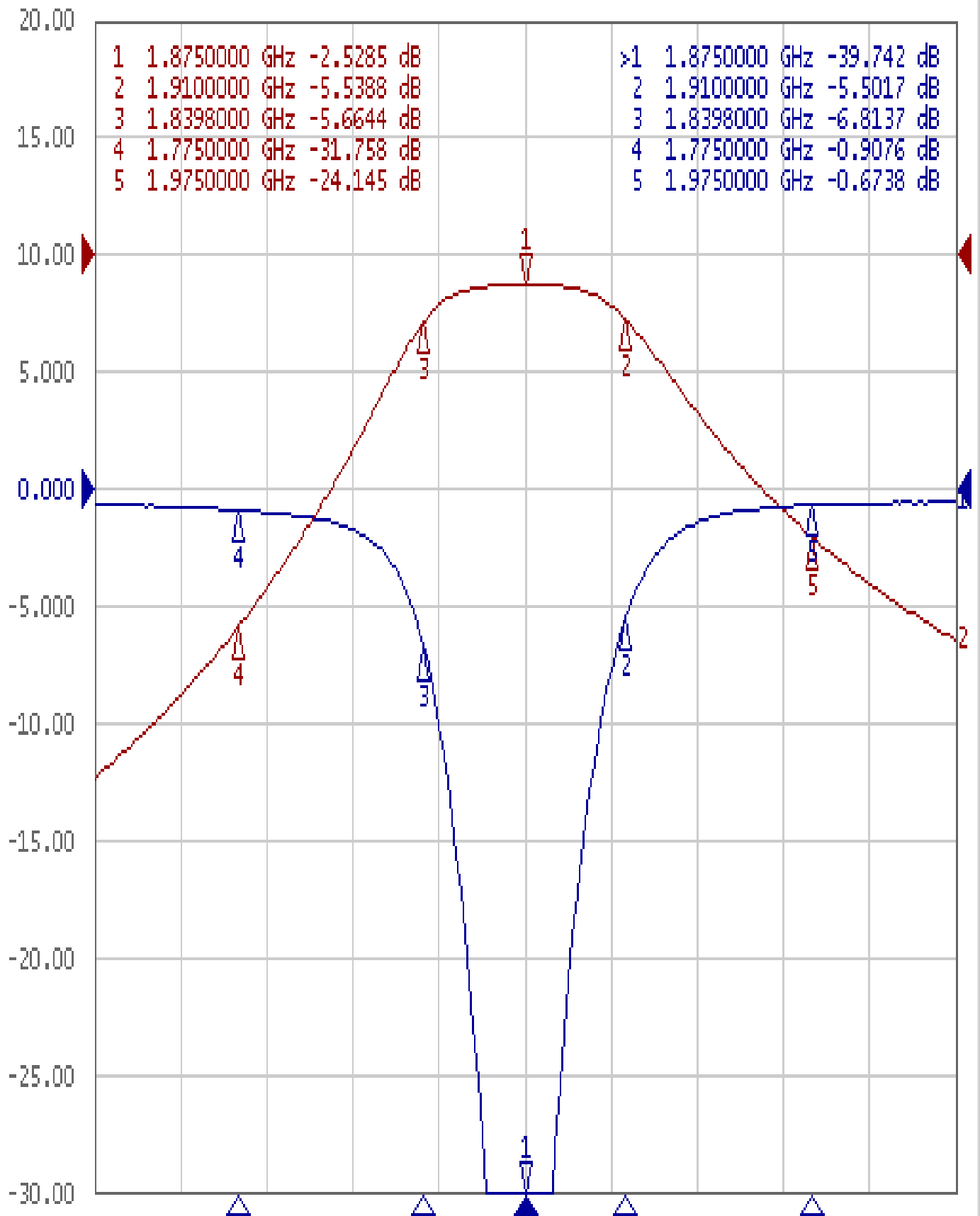


Approval C.Y.Chang	Supervisor C.K.Chang	Designer W.w.wang	Aperture size 5W3S(3.8*4.5)(4.55) 5HW046RB3.2
-----------------------	-------------------------	----------------------	---

Performance-TTW3748B-1875M

201407083CD

Tr1 S11 Log Mag 5.000dB/ Ref 0.000dB [F2]
Tr2 S21 Log Mag 10.000dB/ Ref 0.000dB [F2]



1 Center 1.875 GHz

IFBW 70 kHz

Span 300 MHz

Cor !