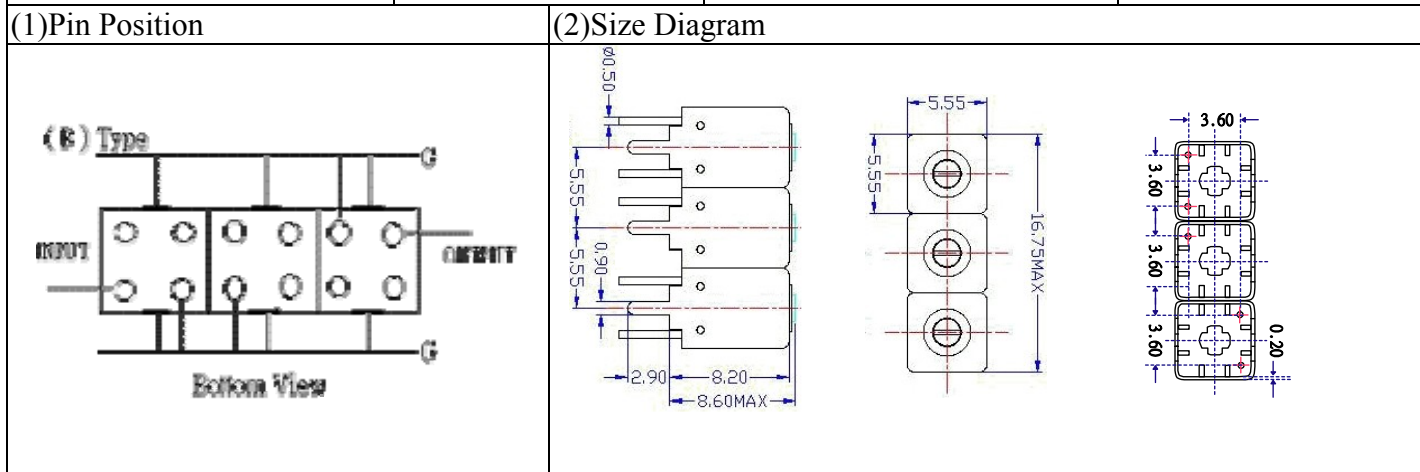
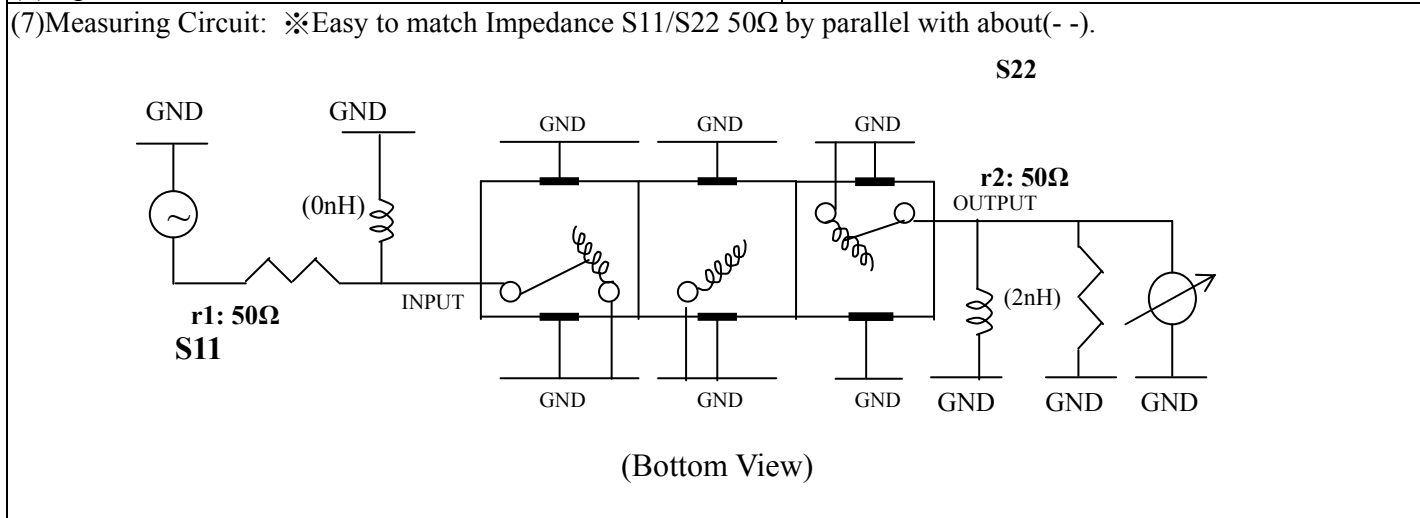


VHF UHF Helical Filter Specification Sheet

Customer Name		Temwell's Part No.	TTW3747B-1725M
Approval No. /dated	201407130CD	Acceptable Specify Fo Range	3747B 1725M
Work Instruction No.	201407130CD	Date	Dec.05.2014



(3) Electric Character			
Item	Specify	Performance	
Center Freq.(Fo) +/- 0.5 %	1725 MHz	1725 MHz	
Insertion Loss	Typ. 3.0 dB	2.26 dB	
-3 dB Bandwidth	Typ. 55 MHz	64.0 MHz	
Sensitivity (Attenuation)	Fo -100 MHz	Typ. 25 dBc	28 dBc
	Fo +100MHz	Typ. 15 dBc	20 dBc
	Fo - ()MHz	Typ. dBc	dBc
	Fo +()MHz	Typ. dBc	dBc
Return Loss	Min. 12 dB	28.7 dB	
Ripple	< 1 dB	dB	
Impedance	In / Out : 50 Ω	In / Out : 50 Ω	
(4) Torque for Tuning Screw			
> 60gf • cm			
(5) Temperature Condition:			
Operating Temperature	0°C ~ +60°C		
Storage Temperature	-20°C ~ +70°C		
(6) Input Power			
> 0.5Watt			



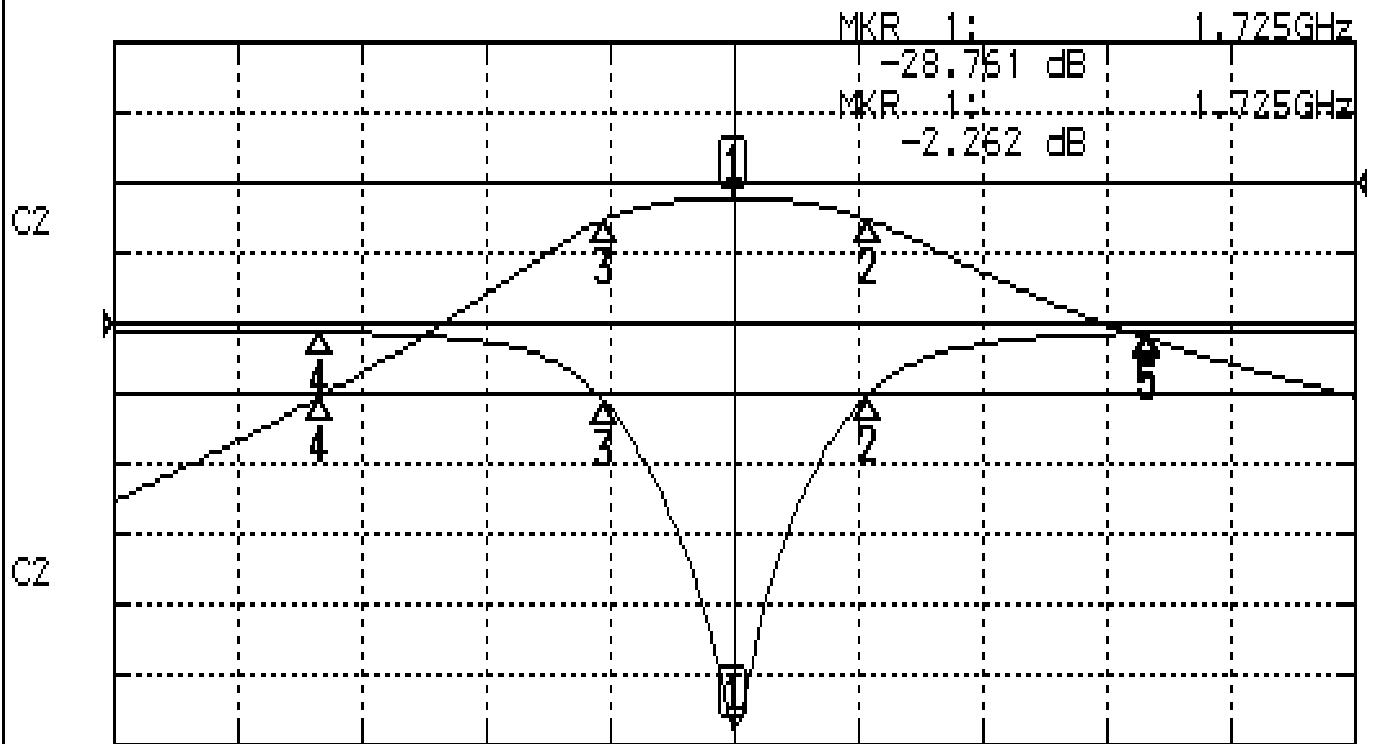
Approval	Supervisor	Designer	Aperture size
C.Y.Chang	C.K.Chang	H.W.Lin	5W3S(3.8*4.5)(4.47) 5HW046RB3.2

TEMWELL CORPORATION

Performance-TTW3747B-1725M

201407130CD

CH1 S11 LOG MAG REF 0.000 dB 5.000 dB/
 CH2 S21 LOG MAG REF 0.000 dB 10.000 dB/



CENTER 1.725GHz

[10.00 dBm]

SPAN 300MHz

CH1 MARKER LIST

Marker	Freq (GHz)	Magnitude (dB)
1:	1.725 000GHz	-28.726 dB
2:	1.757 500GHz	-15.047 dB
3:	1.693 500GHz	-15.490 dB
4:	1.625 000GHz	-0.633 dB
5:	1.825 000GHz	-0.680 dB

CH2 MARKER LIST

Marker	Freq (GHz)	Magnitude (dB)
1:	1.725 000GHz	-2.262 dB
2:	1.757 500GHz	-15.290 dB
3:	1.693 500GHz	-15.244 dB
4:	1.625 000GHz	-30.420 dB
5:	1.825 000GHz	-22.204 dB