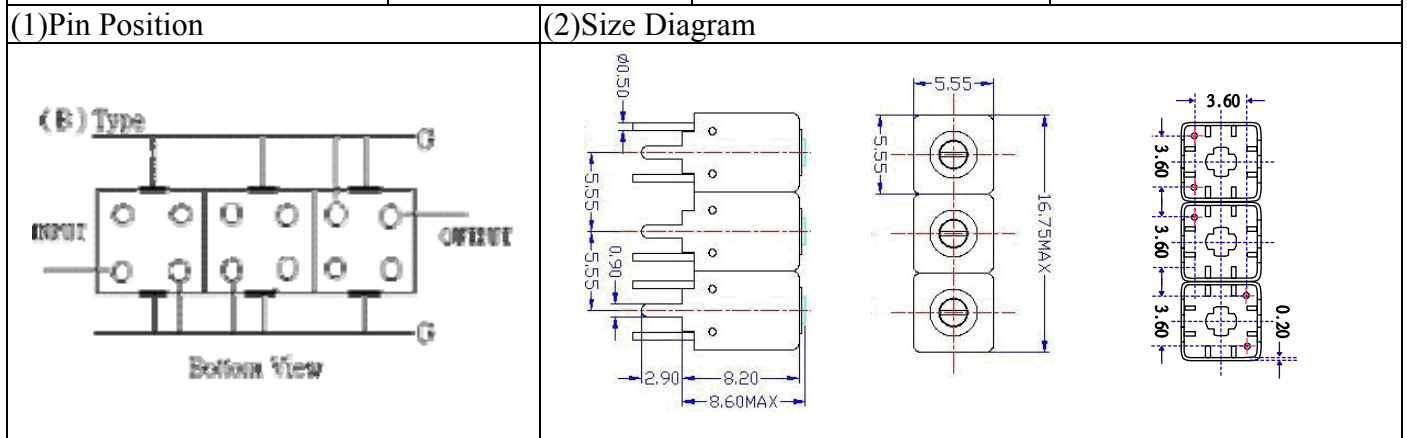


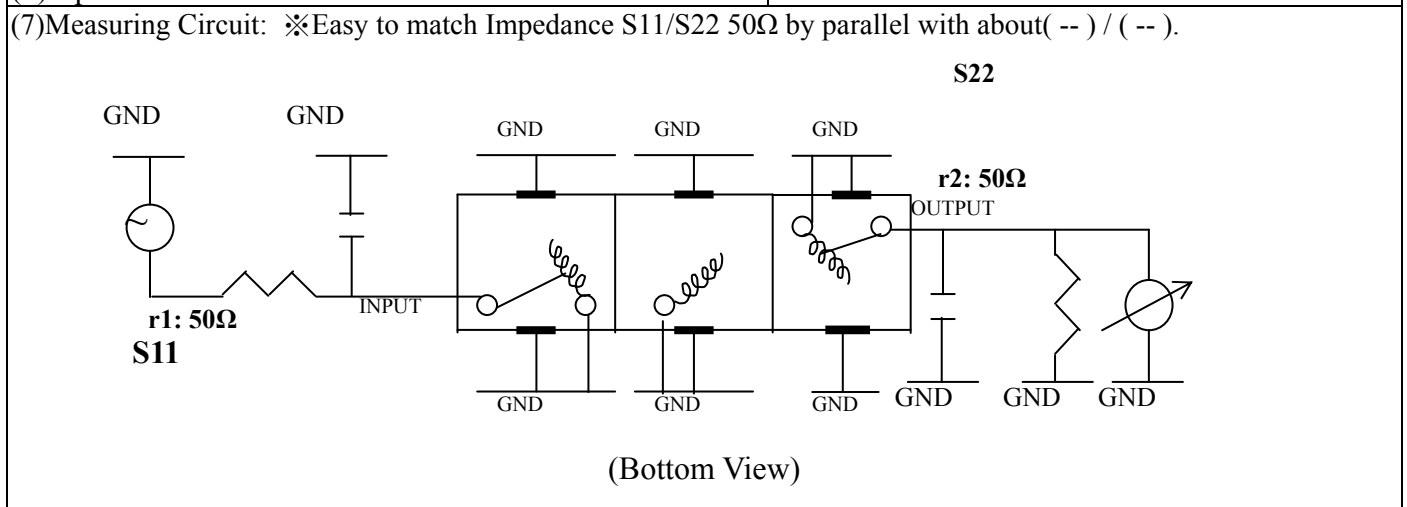
VHF UHF Helical Filter Specification Sheet

Customer Name		Temwell's Part No.	TTW3745B-1625M
Approval No. /dated	201407126CD	Temwell's Print Name.	3745B 1625M
Work Instruction No.	201407126CD	Date	Dec.08.2014



(3) Electric Character					
Item		Specify		Performance	
Center Freq.(Fo) +/- 0.5 %		1625 MHz		1625 MHz	
Insertion Loss		Typ. 4.5 dB		2.10 dB	
-3 dB Bandwidth		Typ. 53 MHz		65.0 MHz	
Sensitivity (Attenuation)	Fo - 100 MHz	Typ. 25 dBc		28 dBc	
	Fo + 100 MHz	Typ. 17 dBc		20 dBc	
	Fo - ()MHz	Typ. dBc		dBc	
	Fo +()MHz	Typ. dBc		dBc	
Return Loss		Min. 12 dB		21.9 dB	
Ripple		< 1 dB		dB	
Impedance		In / Out : 50 Ω		In / Out : 50 Ω	
(4) Torque for Tuning Screw		> 60gf · cm			

(5) Temperature Condition:	
Operating Temperature	0°C ~ +60°C
Storage Temperature	-20°C ~ +70°C
(6) Input Power	> 0.5Watt



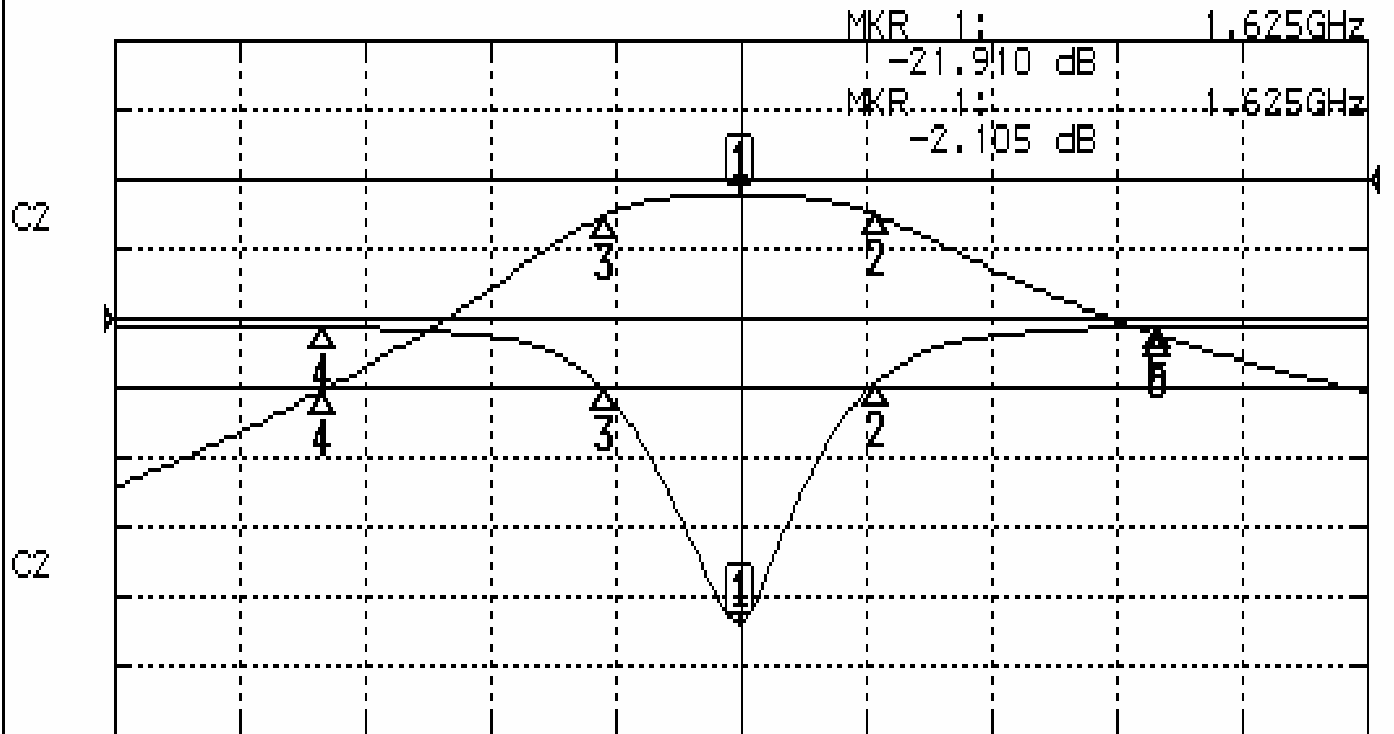
Approval C.Y.Chang	Supervisor C.K.Chang	Designer J.Yang	Aperture size 5W3S(3.8*4.5)(4.58) 5HW046RB3.2
-----------------------	-------------------------	--------------------	---

TEMWELL CORPORATION

Performance-TTW3745B-1625M

201407126CD

CH1 S11 LOG MAG REF 0.000 dB 5.000 dB/
CH2 S21 LOG MAG REF 0.000 dB 10.000 dB/



CENTER 1.625GHz

[10.00 dBm]

SPAN 300MHz

CH1 MARKER LIST

1:	1.625	000GHz	-21.910	dB
2:	1.657	500GHz	-4.550	dB
3:	1.592	500GHz	-5.191	dB
4:	1.525	000GHz	-0.627	dB
	1.725	000GHz	-0.609	dB

CH2 MARKER LIST

1:	1.625	000GHz	-2.105	dB
2:	1.657	500GHz	-1.161	dB
3:	1.592	500GHz	-1.187	dB
4:	1.525	000GHz	-3.325	dB
	1.725	000GHz	-22.408	dB