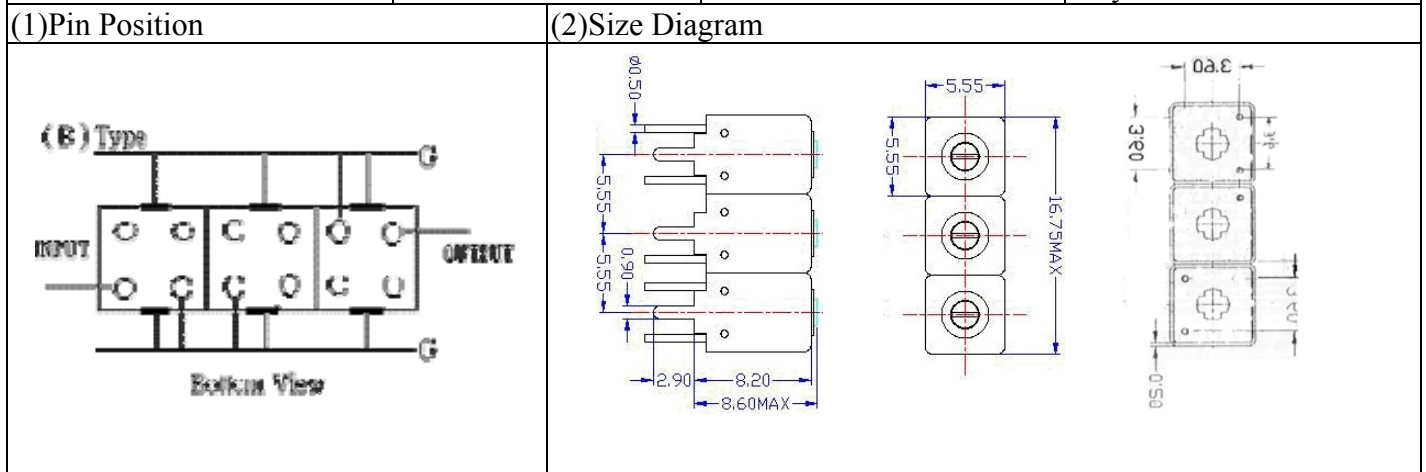


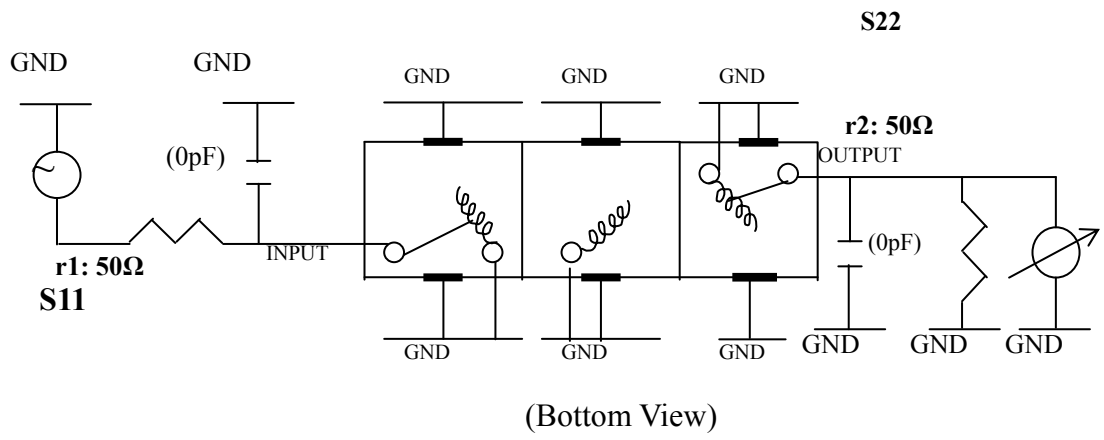
VHF UHF Helical Filter Specification Sheet

Customer Name		Temwell's Part No.	TTW3743B-1525M
Approval No. /dated	0904045CD	Temwell's Print Name.	3743B 1525M
Work Instruction No.	200904045CD	Date	May.07.2009



(3) Electric Character			
Item	Specify	Performance	
Center Freq.(Fo) +/- 0.5 %	1525 MHz	1525	MHz
Insertion Loss	Typ. 3.0 dB	2.36	dB
-3 dB Bandwidth	Typ. 55 MHz	64.7	MHz
Sensitivity (Attenuation)	Fo - 100 MHz	Typ. 27	dBc
	Fo + 100 MHz	Typ. 16	dBc
	Fo - ()MHz	Typ.	dBc
	Fo + ()MHz	Typ.	dBc
Return Loss	Min. 12 dB	31.6	dB
Ripple	< 1 dB		dB
Impedance	In / Out : 50 Ω	In / Out : 50 Ω	
(4) Torque for Tuning Screw	> 60gf · cm		
(5) Temperature Condition:			
Operating Temperature	0°C ~ +60°C		
Storage Temperature	-20°C ~ +70°C		
(6) Input Power	> 0.5Watt		

(7) Measuring Circuit: ※Easy to match Impedance S11/S22 50Ω by parallel with about(0pF) / (0pF).



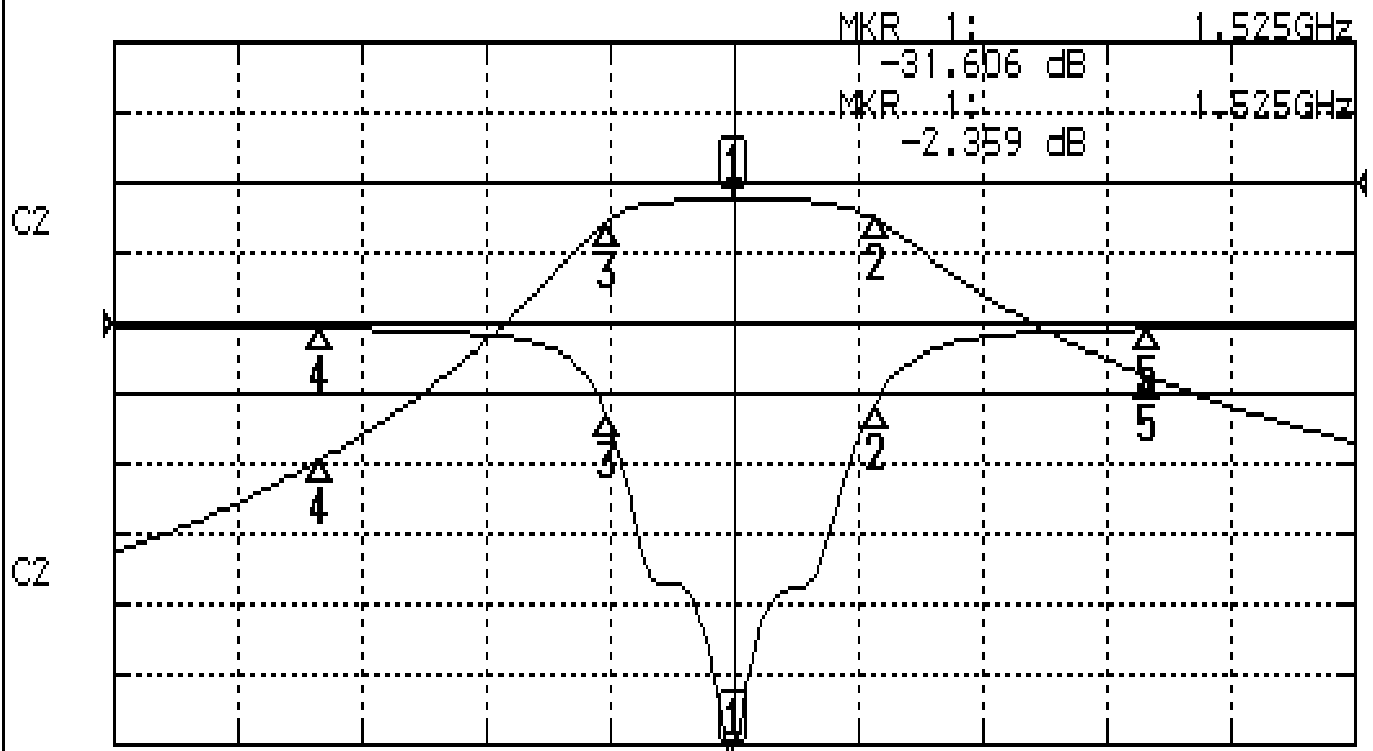
Approval C.Y.Chang	Supervisor C.K.Chang	Designer C.H.Yeh	Aperture size 5W3S(3.8*4.0)(4.21) 5HW046RB3.2
-----------------------	-------------------------	---------------------	---

TEMWELL CORPORATION

Performance-TTW3743B-1525M

200904045CD

CH1 S11 LOG MAG REF 0.000 dB 5.000 dB/
 CH2 S21 LOG MAG REF 0.000 dB 10.000 dB/



CENTER 1.525GHz

[10.00 dBm]

SPAN 300MHz

CH1 MARKER LIST

Marker	Freq (GHz)	Magnitude (dB)
1:	1.525 000GHz	-31.606 dB
2:	1.559 250GHz	-5.645 dB
3:	1.494 500GHz	-6.723 dB
4:	1.425 000GHz	-0.383 dB
5:	1.625 000GHz	-0.433 dB

CH2 MARKER LIST

Marker	Freq (GHz)	Magnitude (dB)
1:	1.525 000GHz	-2.361 dB
2:	1.559 250GHz	-1.324 dB
3:	1.494 500GHz	-1.091 dB
4:	1.425 000GHz	-39.402 dB
5:	1.625 000GHz	-27.592 dB