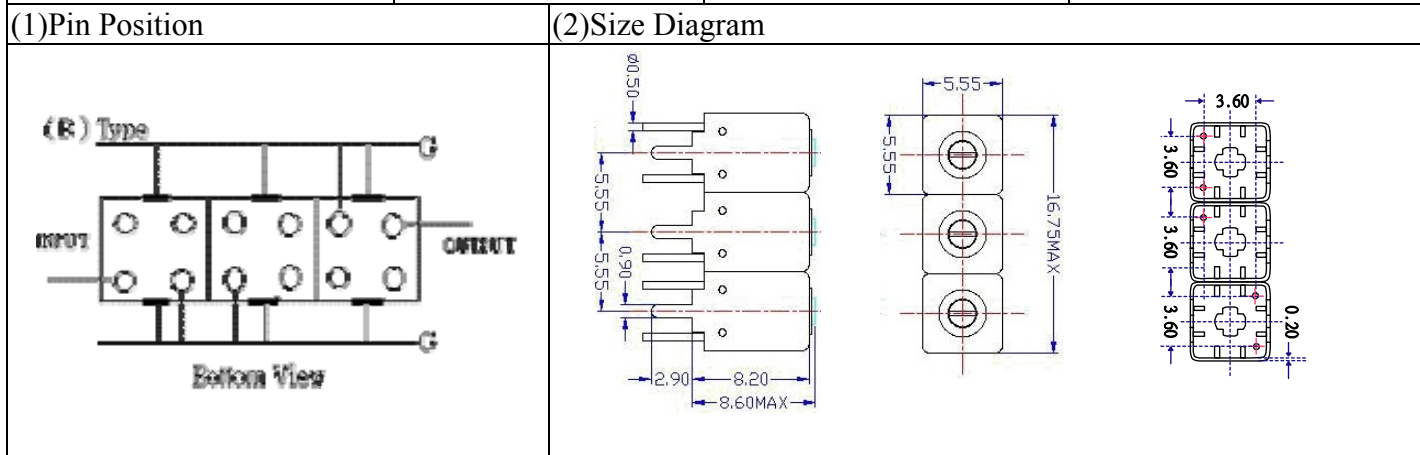


VHF UHF Helical Filter Specification Sheet

Customer Name		Temwell's Part No.	TTW3742B-1475M
Approval No. /dated	201407121CD	Temwell's Print Name.	3742B 1475M
Work Instruction No.	201407121CD	Date	Mar.04.2015



(3) Electric Character

Item	Specify	Performance	
Center Freq.(Fo) +/- 0.5 %	1475 MHz	1475 MHz	
Insertion Loss	Typ. 4.0 dB	2.27 dB	
-3 dB Bandwidth	Typ. 54 MHz	59.1 MHz	
Sensitivity (Attenuation)	Fo - 100 MHz	Typ. 30 dBc	32 dBc
	Fo + 100 MHz	Typ. 19 dBc	24 dBc
	Fo - ()MHz	Typ. dBc	dBc
	Fo +()MHz	Typ. dBc	dBc
Return Loss	Min. 12 dB	29.1 dB	
Ripple	< 1 dB	dB	
Impedance	In / Out : 50 Ω	In / Out : 50 Ω	

(4) Torque for Tuning Screw > 60gf · cm

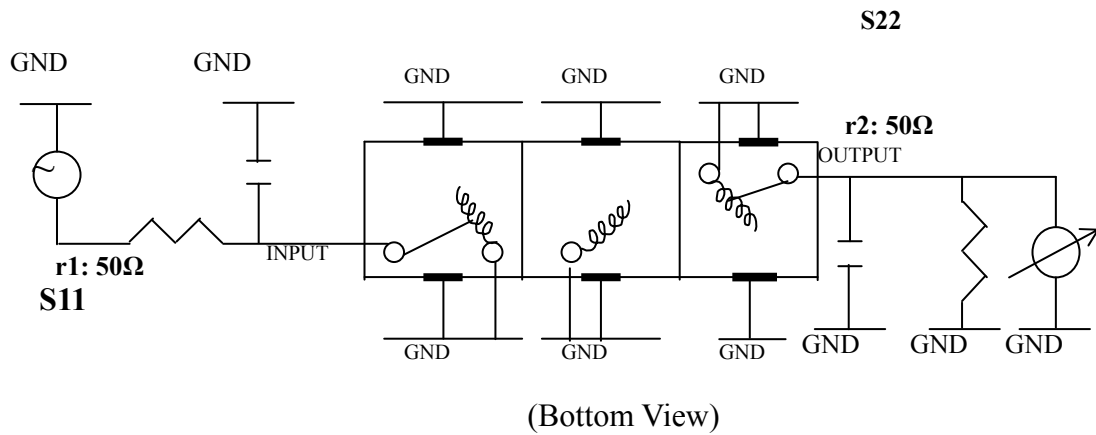
(5) Temperature Condition:

Operating Temperature	0°C ~ +60°C
-----------------------	-------------

Storage Temperature	-20°C ~ +70°C
---------------------	---------------

(6) Input Power > 0.5Watt

(7) Measuring Circuit: ※Easy to match Impedance S11/S22 50Ω by parallel with about(--) / (--).



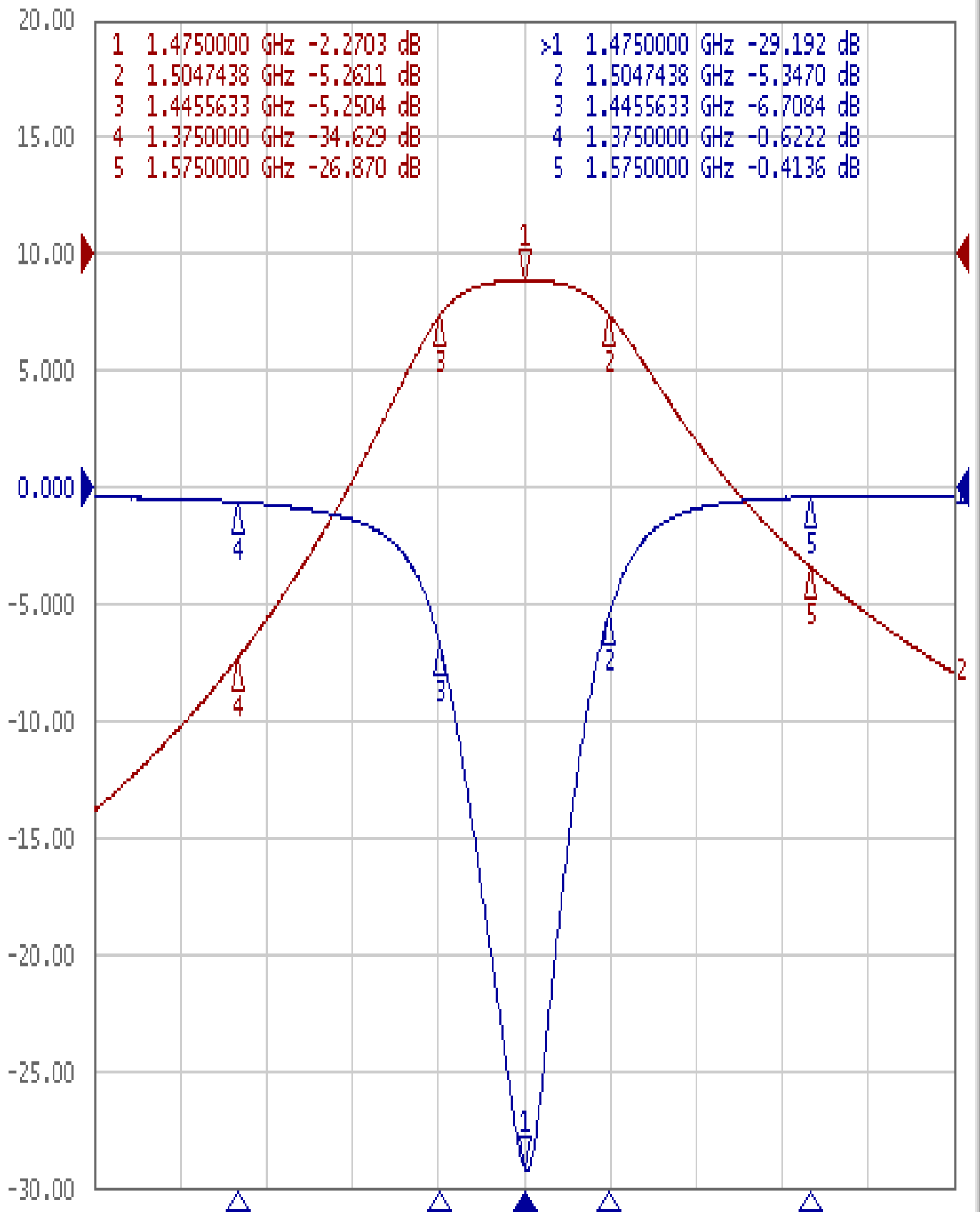
Approval C.Y.Chang	Supervisor C.K.Chang	Designer F.L.Lai	Aperture size 5W3S(3.8*4.5)(4.54) 5HW046RB3.2
-----------------------	-------------------------	---------------------	-----------------------------------------------------

TEMWELL CORPORATION

Performance-TTW3742B-1475M

201407121CD

Tr1 S11 Log Mag 5.000dB/ Ref 0.000dB [F2]
Tr2 S21 Log Mag 10.00dB/ Ref 0.000dB [F2]



1 Center 1.475 GHz IFBW 10 kHz Span 300 MHz Cor !