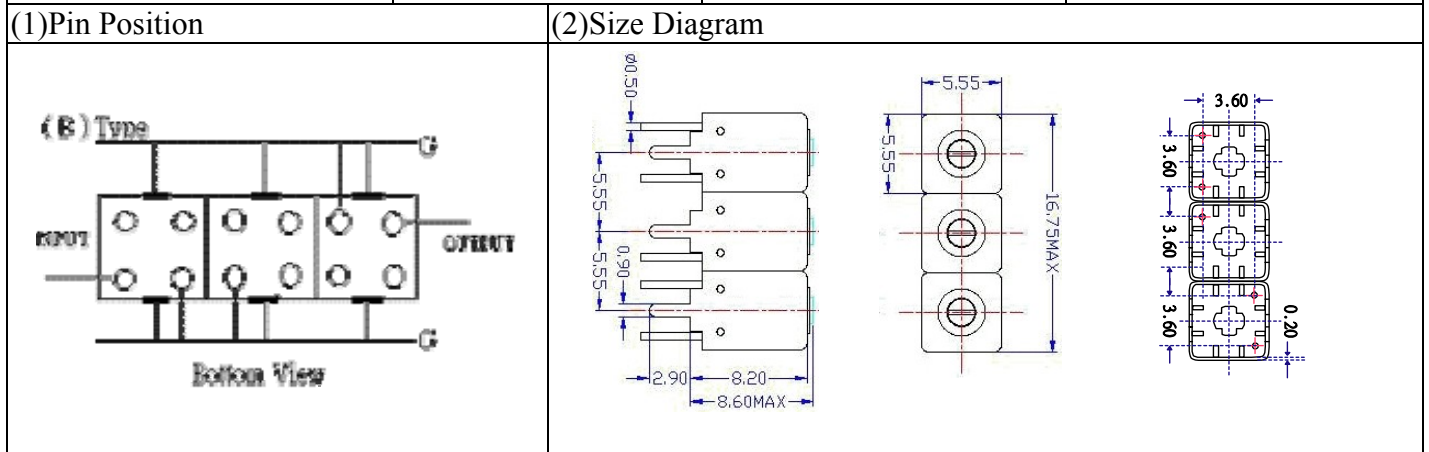
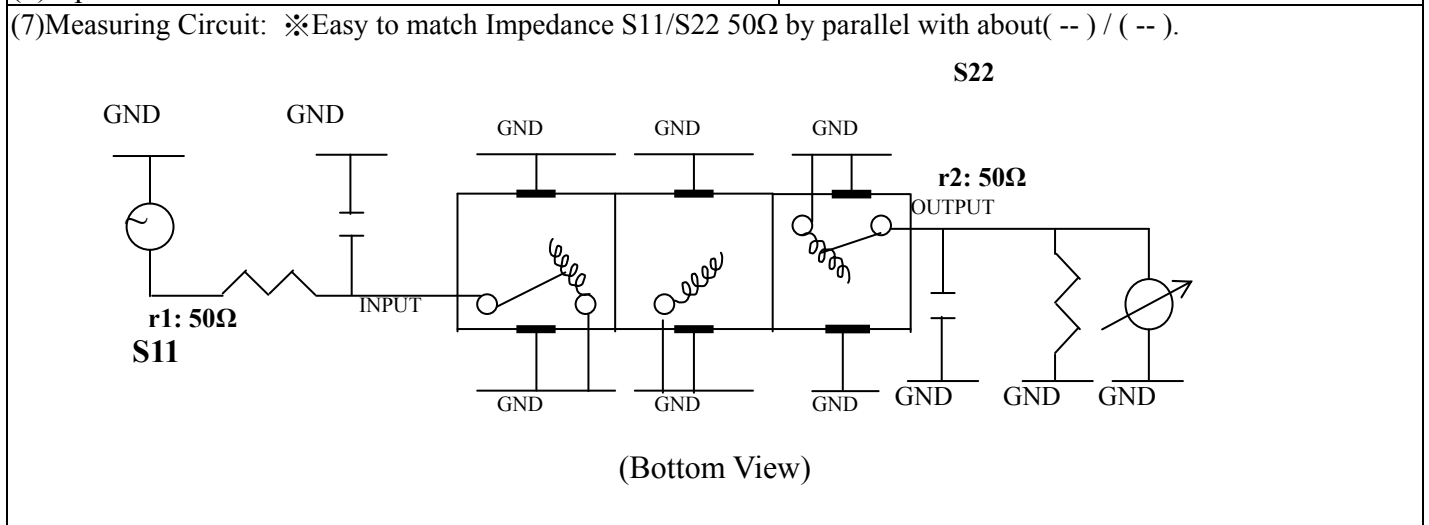


VHF UHF Helical Filter Specification Sheet

Customer Name		Temwell's Part No.	TTW3739B-1275M
Approval No. /dated	201407111CD	Temwell's Print Name.	3739B 1275M
Work Instruction No.	201407111CD	Date	Nov.06.2014



(3) Electric Character					
Item		Specify		Performance	
Center Freq.(Fo) +/- 0.5 %		1275 MHz		1275 MHz	
Insertion Loss		Typ. 3.0 dB		2.12 dB	
-3 dB Bandwidth		Typ. 55 MHz		61.6 MHz	
Sensitivity (Attenuation)	Fo - 150 MHz	Typ. 45 dBc		50 dBc	
	Fo + 150 MHz	Typ. 33 dBc		38 dBc	
	Fo - ()MHz	Typ. dBc		dBc	
	Fo + ()MHz	Typ. dBc		dBc	
Return Loss		Min. 12 dB		26.9 dB	
Ripple		< 1 dB		dB	
Impedance		In / Out : 50 Ω		In / Out : 50 Ω	
(4) Torque for Tuning Screw		> 60gf · cm			
(5) Temperature Condition:					
Operating Temperature		0°C ~ +60°C			
Storage Temperature		-20°C ~ +70°C			
(6) Input Power		> 0.5Watt			



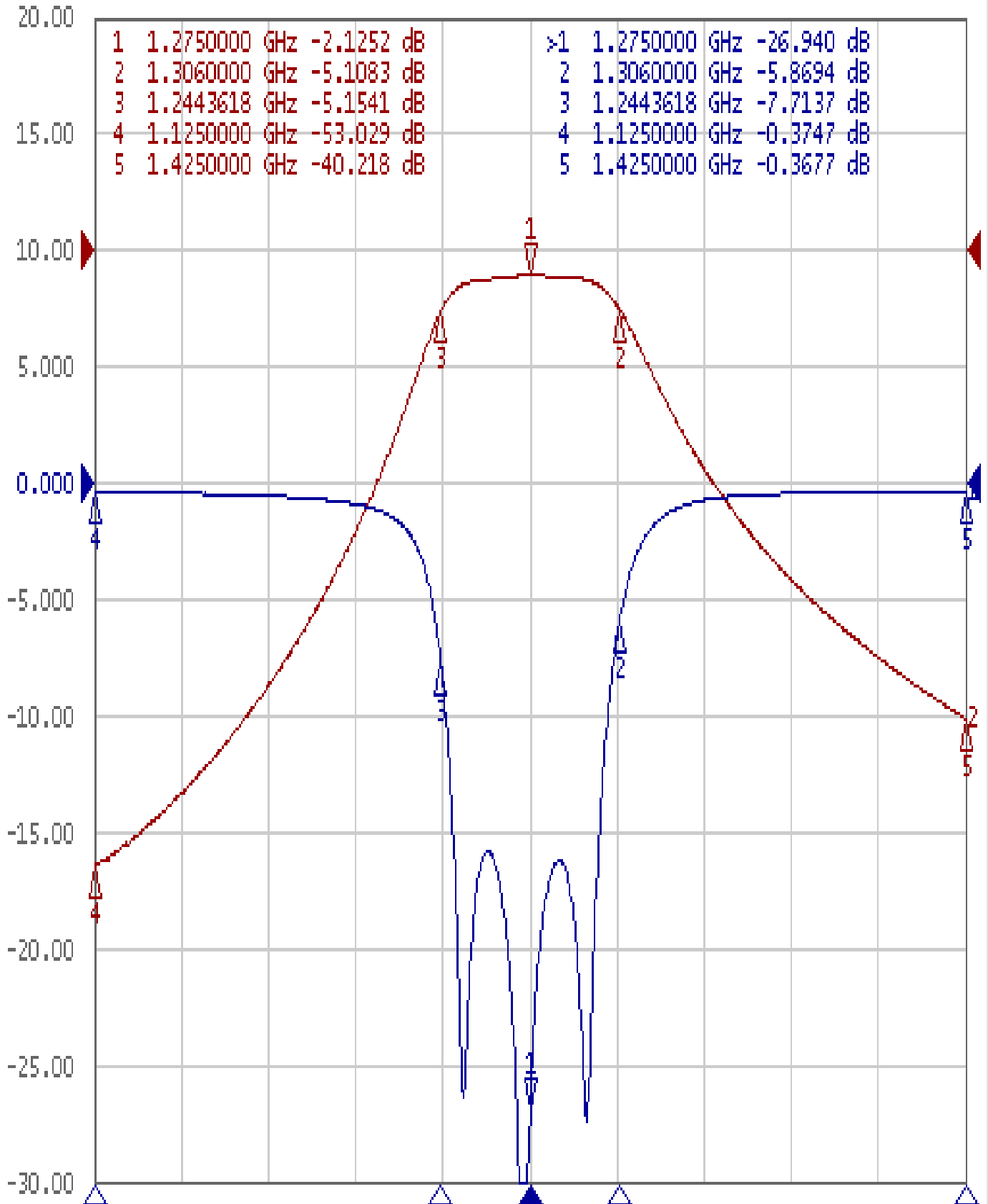
Approval C.Y.Chang	Supervisor C.K.Chang	Designer F.L.Lai	Aperture size 5W3S(3.8*4.0)(4.04) 5HW046RB3.2
-----------------------	-------------------------	---------------------	---

TEMWELL CORPORATION

Performance-TTW3739B-1275M

20140711CD

Tr1 S11 Log Mag 5.000dB/ Ref 0.000dB [F2]
Tr2 S21 Log Mag 10.00dB/ Ref 0.000dB [F2]



1 Center 1.275 GHz

IFBW 10 kHz

Span 300 MHz Cor !