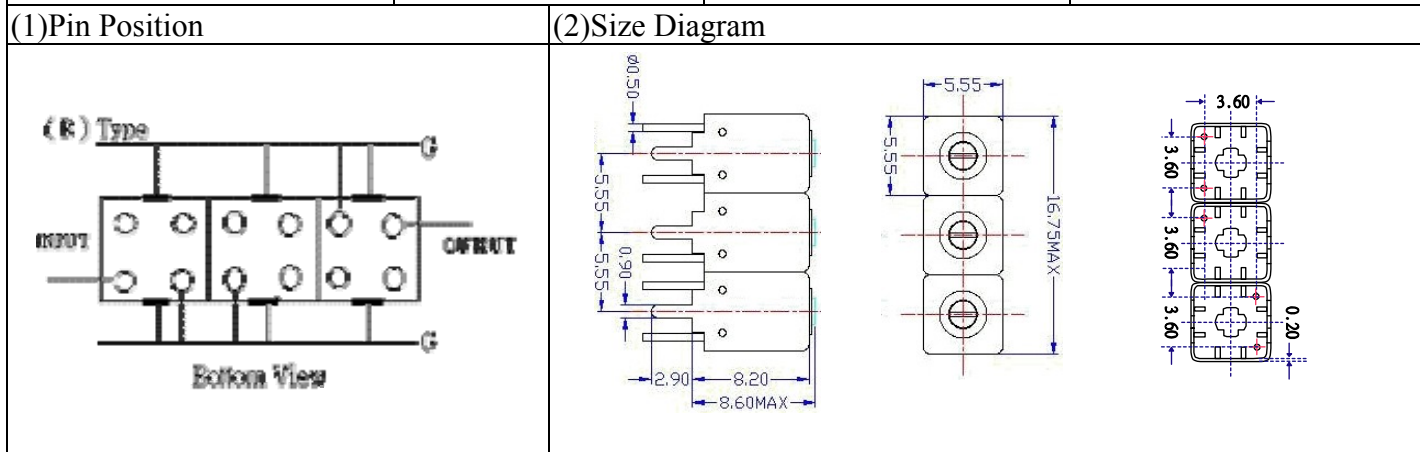


VHF UHF Helical Filter Specification Sheet

Customer Name		Temwell's Part No.	TTW3735B-2375M
Approval No. /dated	201407152CD	Temwell's Print Name.	3735B 2375M
Work Instruction No.	201407152CD	Date	Jan.08.2015



(3) Electric Character

Item	Specify	Performance
Center Freq.(Fo) +/- 0.5 %	2375 MHz	2375 MHz
Insertion Loss	Typ. 4.5 dB	3.35 dB
-3 dB Bandwidth	Typ. 44 MHz	61.6 MHz
Sensitivity (Attenuation)	Fo - 150 MHz	Typ. 33 dBc
	Fo + 150 MHz	Typ. 23 dBc
	Fo - ()MHz	Typ. dBc
	Fo +()MHz	Typ. dBc
Return Loss	Min. 12 dB	20.4 dB
Ripple	< 1 dB	dB
Impedance	In / Out : 50 Ω	In / Out : 50 Ω

(4) Torque for Tuning Screw > 60gf · cm

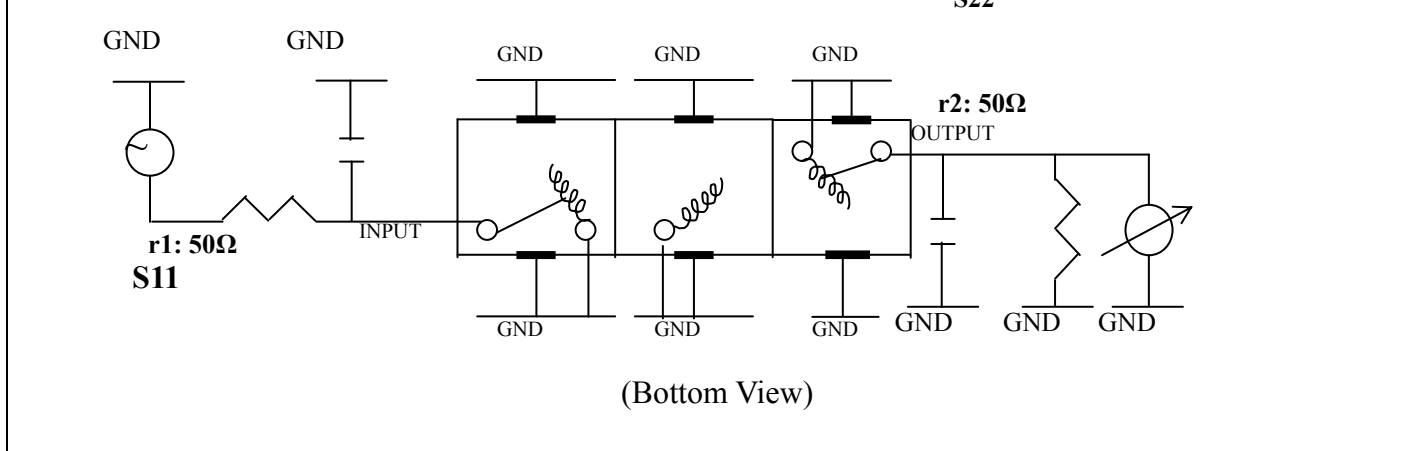
(5) Temperature Condition:

Operating Temperature	0°C ~ +60°C
-----------------------	-------------

Storage Temperature	-20°C ~ +70°C
---------------------	---------------

(6) Input Power > 0.5Watt

(7) Measuring Circuit: ※Easy to match Impedance S11/S22 50Ω by parallel with about(--)



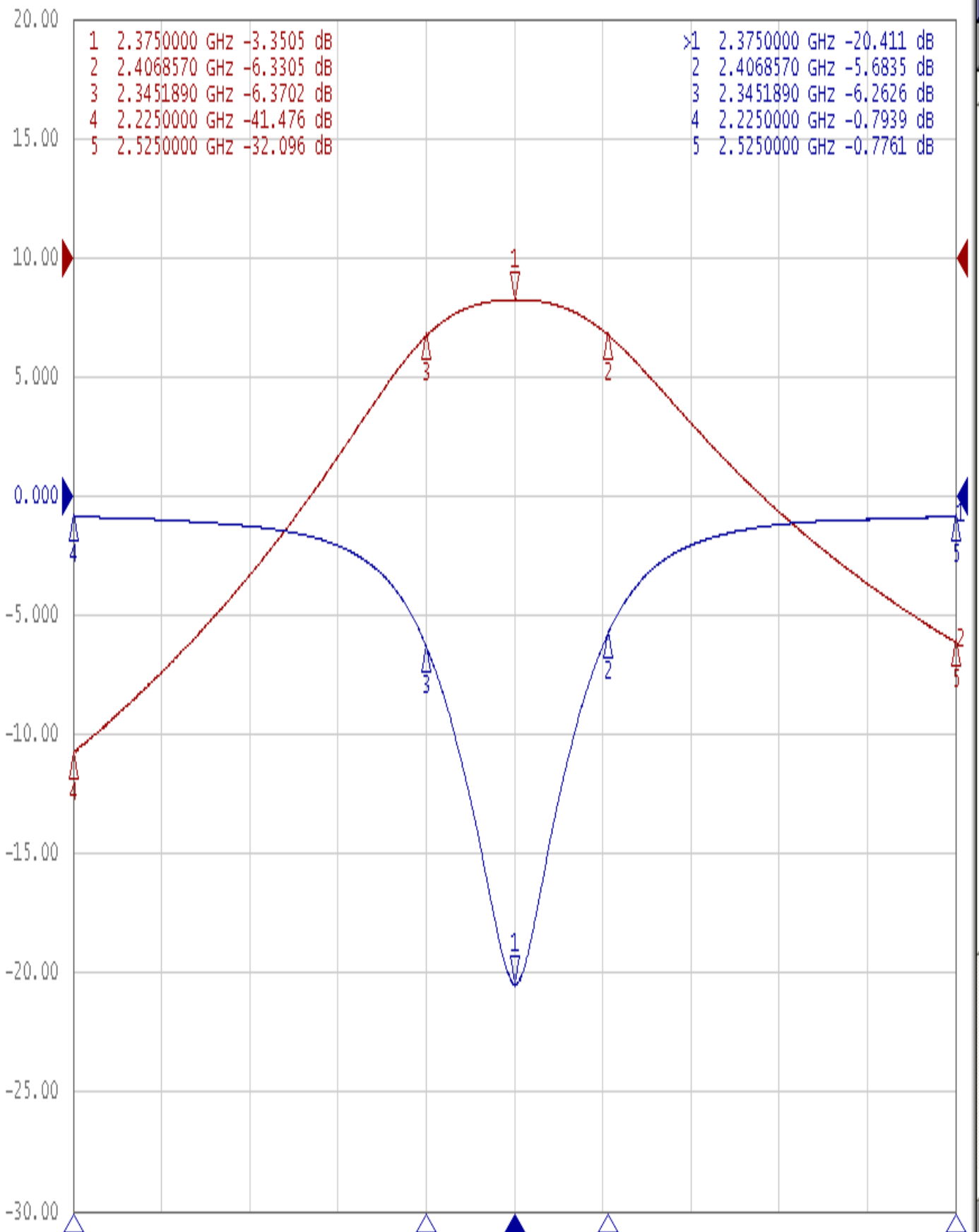
Approval	Supervisor	Designer	Aperture size
C.Y.Chang	C.K.Chang	C.S.Chang	5W3S(3.8*3.5)(3.56) 5HW046RB3.2(J1)

TEMWELL CORPORATION

Performance-TTW3735B-2375M

201407152CD

Tr1 S11 Log Mag 5.000dB/ Ref 0.000dB [F2]
Tr2 S21 Log Mag 10.00dB/ Ref 0.000dB [F2]



1 Center 2.375 GHz

IFBW 10 kHz

Span 300 MHz Cor |