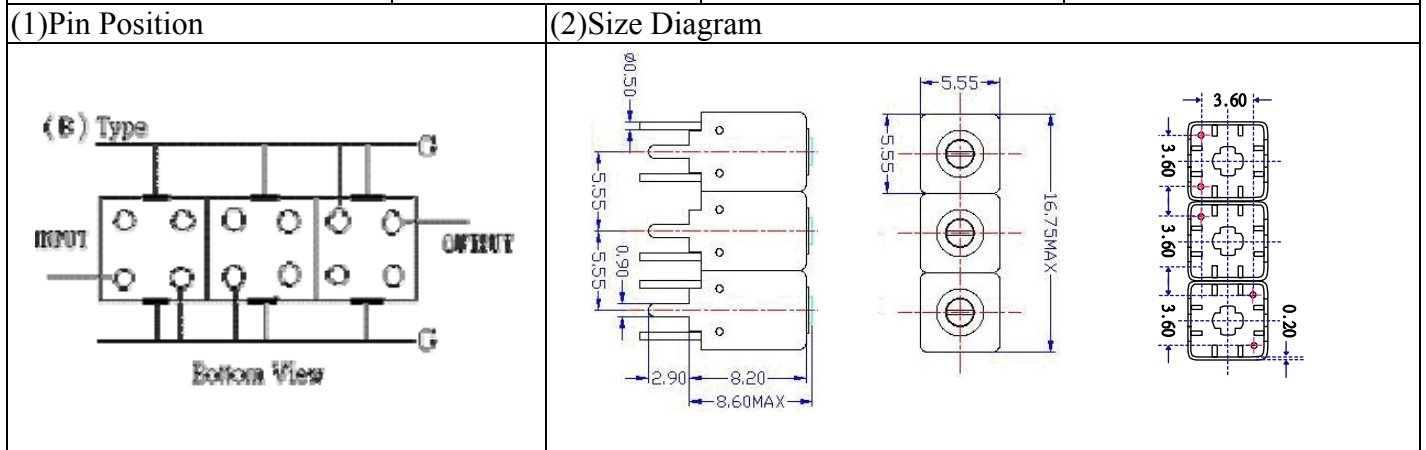


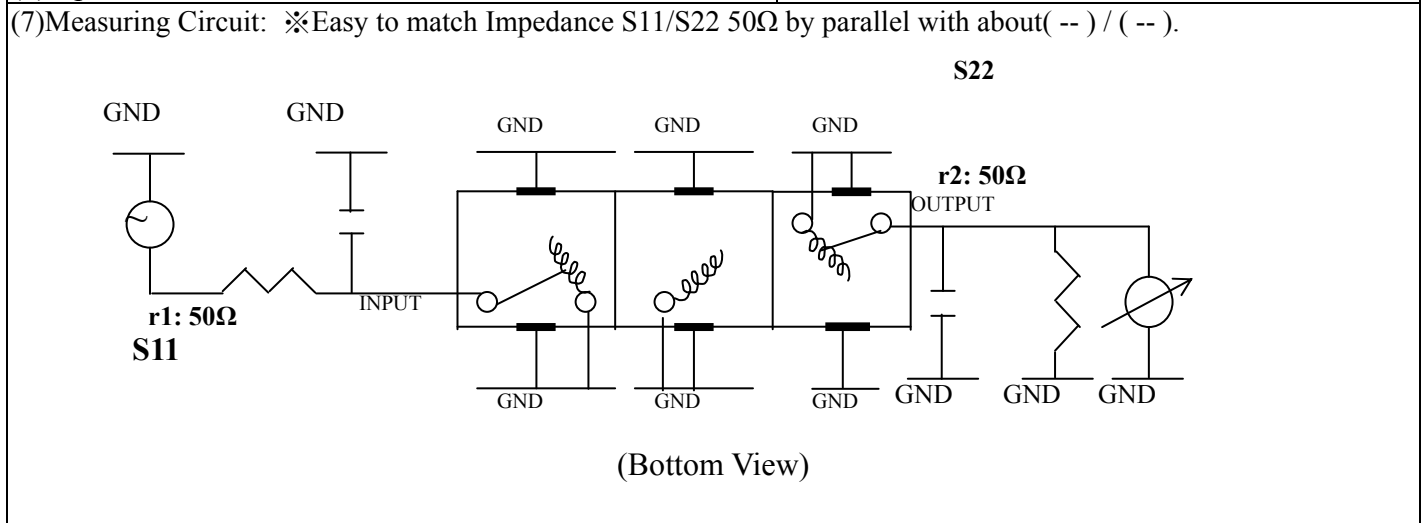
VHF UHF Helical Filter Specification Sheet

| | | | |
|----------------------|-------------|-----------------------|----------------|
| Customer Name | | Temwell's Part No. | TTW3731B-1375M |
| Approval No. /dated | 201407118CD | Temwell's Print Name. | 3731B 1375M |
| Work Instruction No. | 201407118CD | Date | Nov.18.2014 |



| (3) Electric Character | | Item | Specify | Performance |
|------------------------------|--------------|------|-----------------|-----------------|
| Center Freq.(Fo) +/- 0.5 % | | | 1375 MHz | 1375 MHz |
| Insertion Loss | | Typ. | 3.5 dB | 2.76 dB |
| -3 dB Bandwidth | | Typ. | 42 MHz | 50.4 MHz |
| Sensitivity (Attenuation) | Fo - 100 MHz | Typ. | 33 dBc | 38 dBc |
| | Fo + 100 MHz | Typ. | 23 dBc | 28 dBc |
| | Fo - ()MHz | Typ. | dBc | dBc |
| | Fo +()MHz | Typ. | dBc | dBc |
| Return Loss | | Min. | 12 dB | 40.8 dB |
| Ripple | | | < 1 dB | dB |
| Impedance | | | In / Out : 50 Ω | In / Out : 50 Ω |
| (4) Torque for Tuning Screw | | | > 60gf • cm | |

| | |
|----------------------------|---------------|
| (5) Temperature Condition: | |
| Operating Temperature | 0°C ~ +60°C |
| Storage Temperature | -20°C ~ +70°C |
| (6) Input Power | > 0.5Watt |



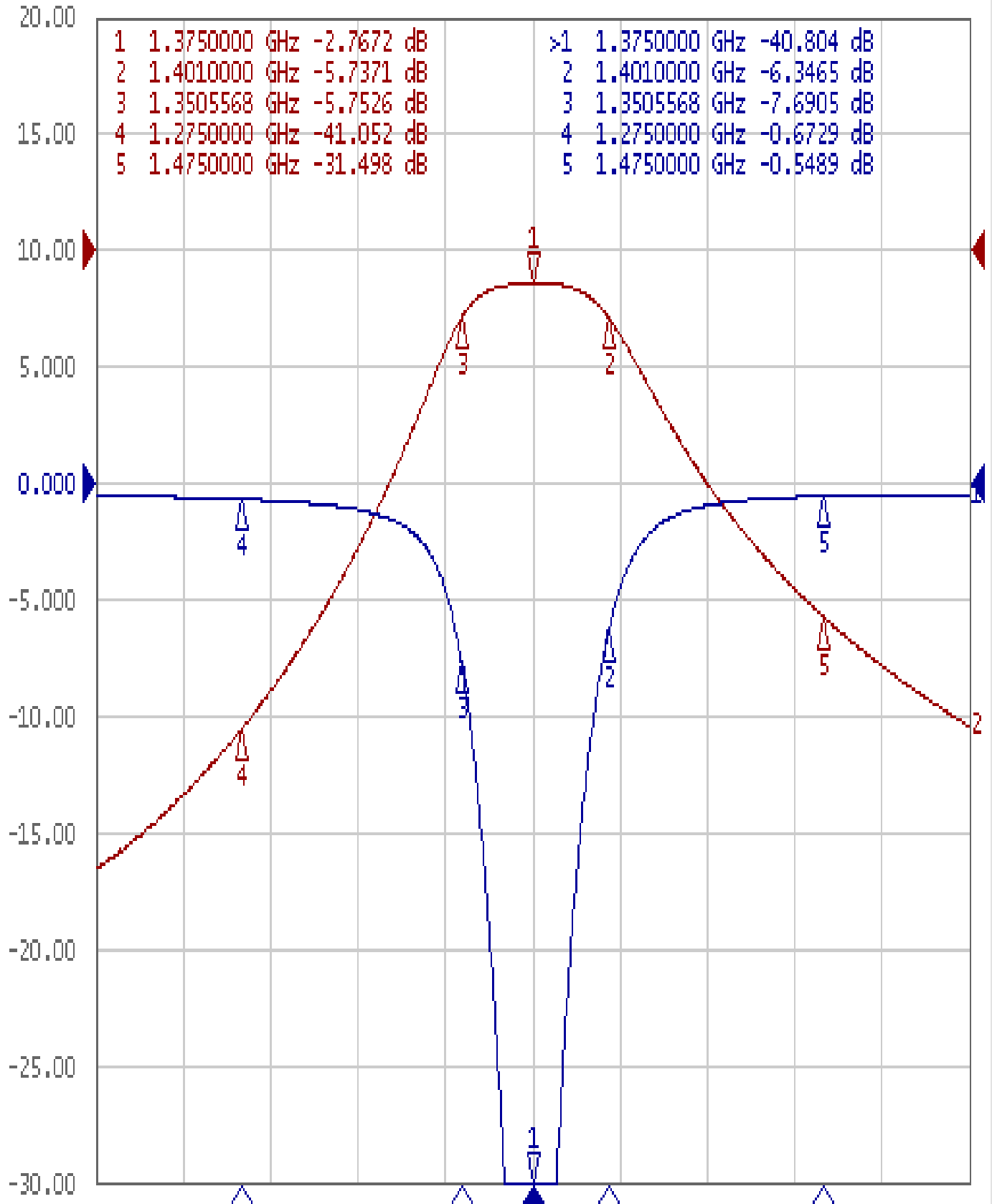
| | | | |
|-----------------------|-------------------------|---------------------|---|
| Approval C.Y.Chang | Supervisor C.K.Chang | Designer F.L.Lai | Aperture size 5W3S(3.8*4.5)(4.54) 5HW046RB3.2 |
|-----------------------|-------------------------|---------------------|---|

Performance-TTW3731B-1375M

201407118CD

▶ Tr1 S11 Log Mag 5.000dB/ Ref 0.000dB [F2]

Tr2 S21 Log Mag 10.00dB/ Ref 0.000dB [F2]



1 Center 1.375 GHz

IFBW 10 kHz

Span 300 MHz Cor !