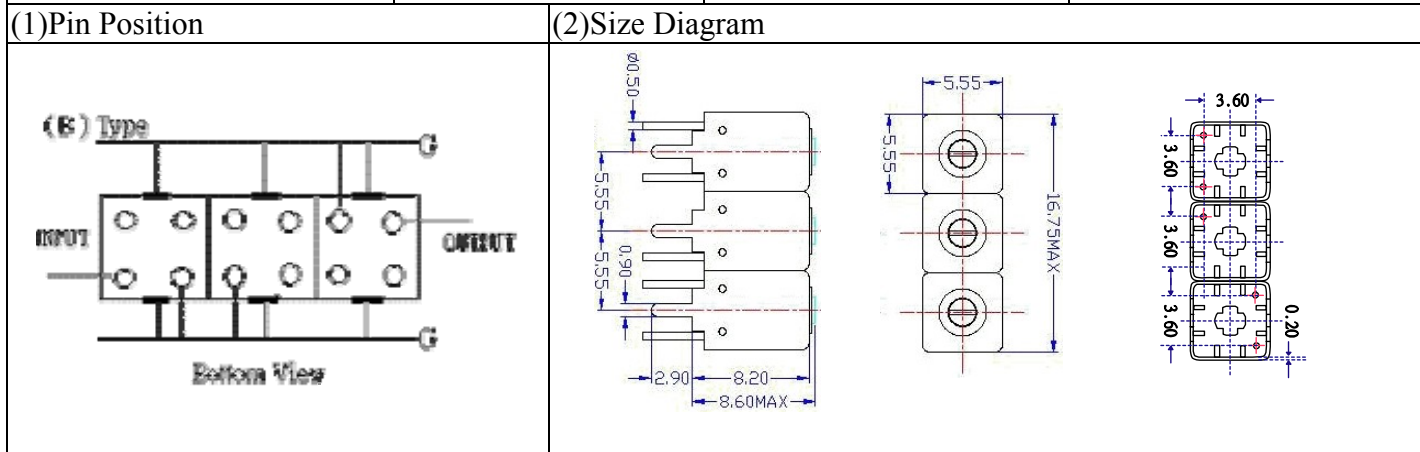


# VHF UHF Helical Filter Specification Sheet

Customer Name		Temwell's Part No.	TTW3730B-1325M
Approval No. /dated	201407113CD	Temwell's Print Name.	3730B 1325M
Work Instruction No.	201407113CD	Date	Nov.03.2014



(3) Electric Character

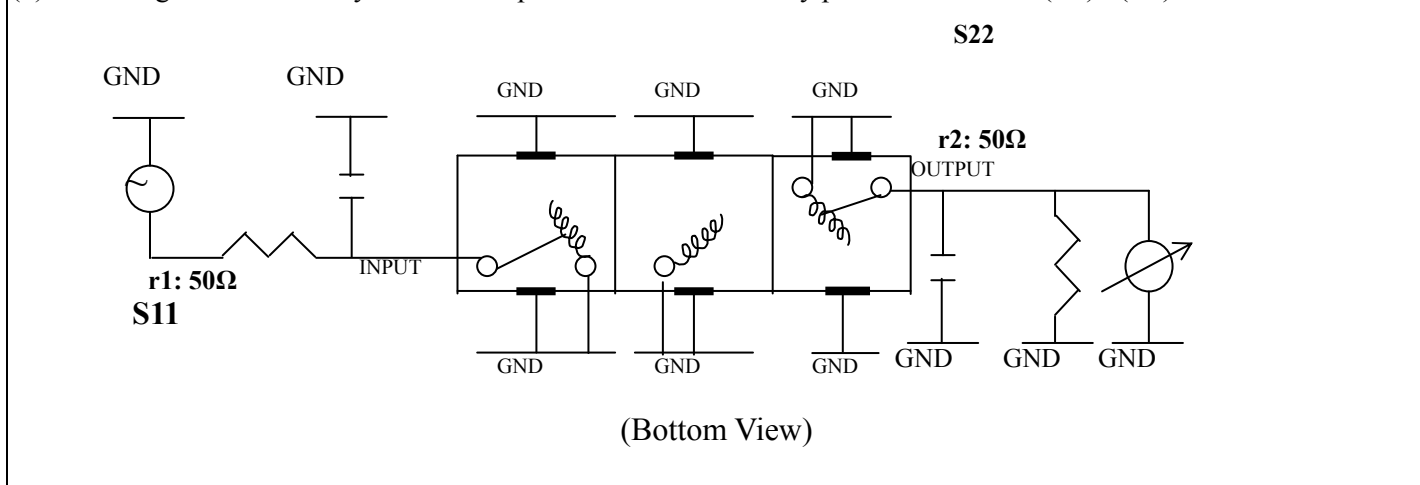
Item	Specify	Performance
Center Freq.(Fo) +/- 0.5 %	1325 MHz	1325 MHz
Insertion Loss	Typ. 5.5 dB	2.62 dB
-3 dB Bandwidth	Typ. 40 MHz	48.7 MHz
Sensitivity (Attenuation)	Fo - 100 MHz	Typ. 37 dBc
	Fo + 100 MHz	Typ. 25 dBc
	Fo - ( )MHz	Typ. dBc
	Fo + ( )MHz	Typ. dBc
Return Loss	Min. 12 dB	34.5 dB
Ripple	< 1 dB	dB
Impedance	In / Out : 50 Ω	In / Out : 50 Ω
(4) Torque for Tuning Screw	> 60gf • cm	

(5) Temperature Condition:

Operating Temperature	0°C ~ +60°C
Storage Temperature	-20°C ~ +70°C

(6) Input Power

(7) Measuring Circuit: ※Easy to match Impedance S11/S22 50Ω by parallel with about( -- ) / ( -- ).



Approval	Supervisor	Designer	Aperture size
C.Y.Chang	C.K.Chang	F.L.Lai	5W3S(3.8*4.0)(4.04) 5HW046RB3.2

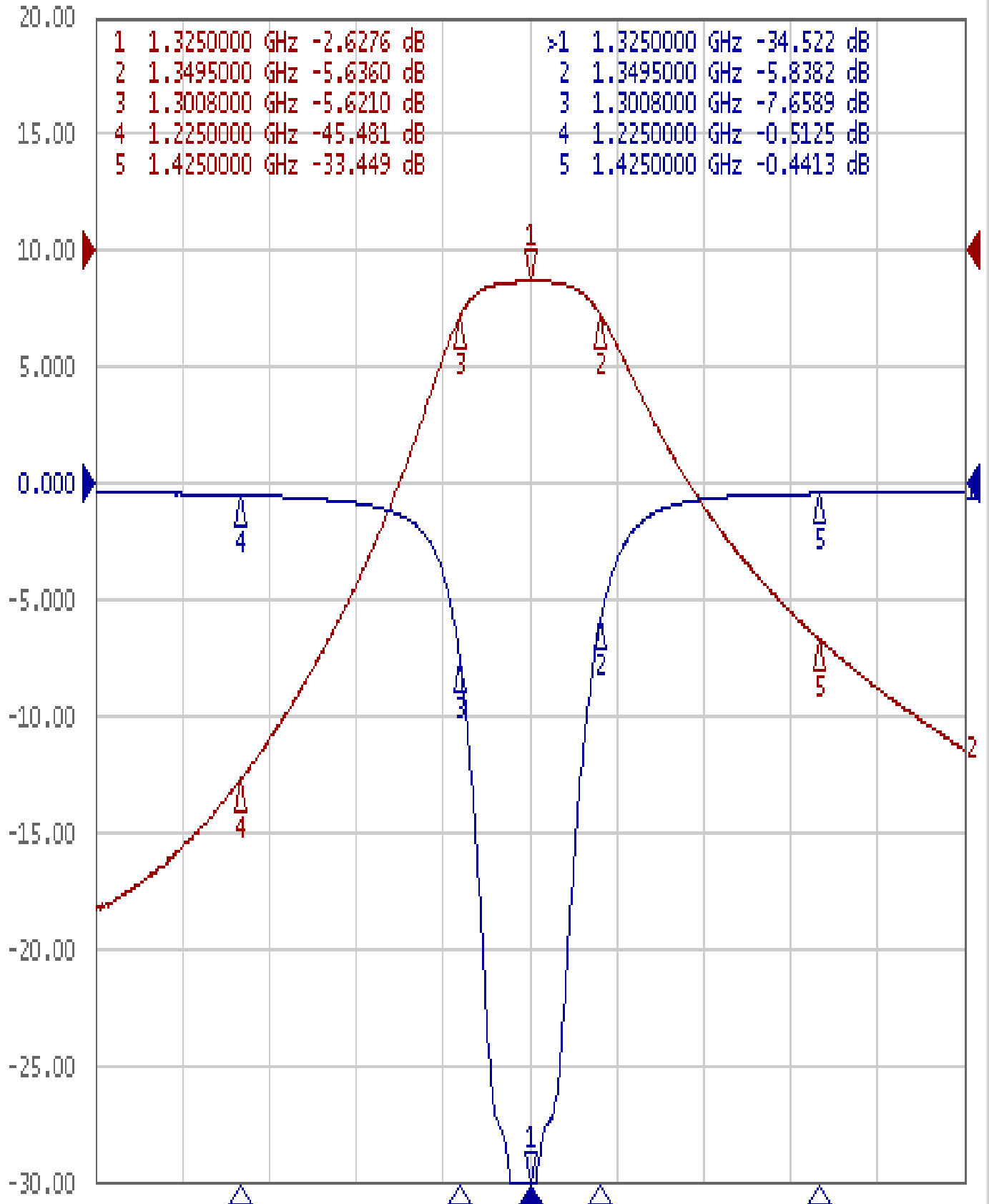
TEMWELL CORPORATION

# Performance-TTW3730B-1325M

## 201407113CD

Tr1 S11 Log Mag 5.000dB/ Ref 0.000dB [F2]

Tr2 S21 Log Mag 10.00dB/ Ref 0.000dB [F2]



1 Center 1.325 GHz

IFBW 10 kHz

Span 300 MHz Cor !