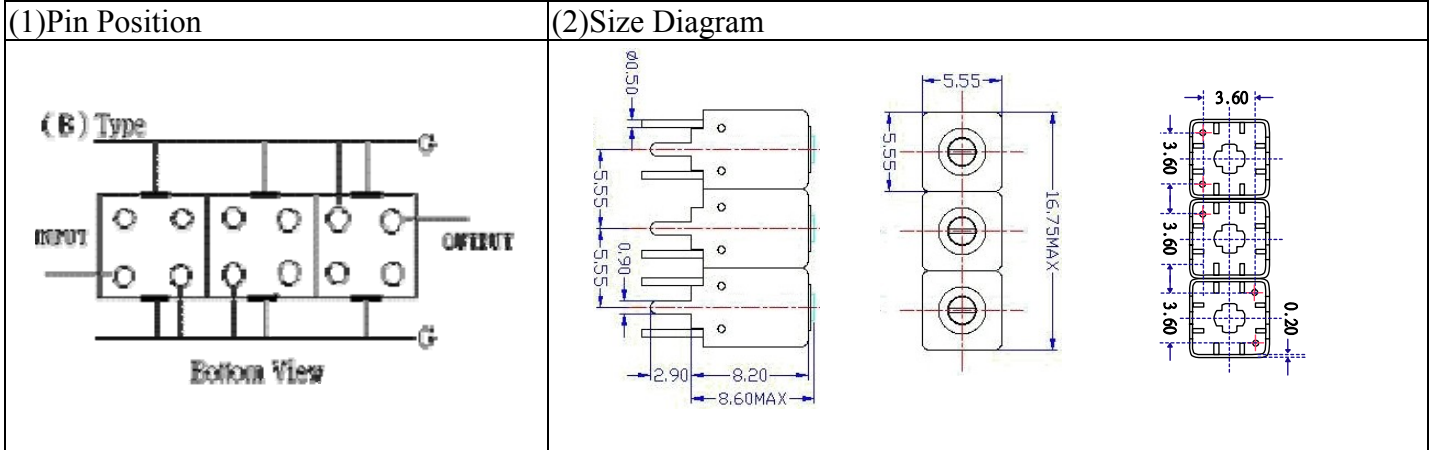
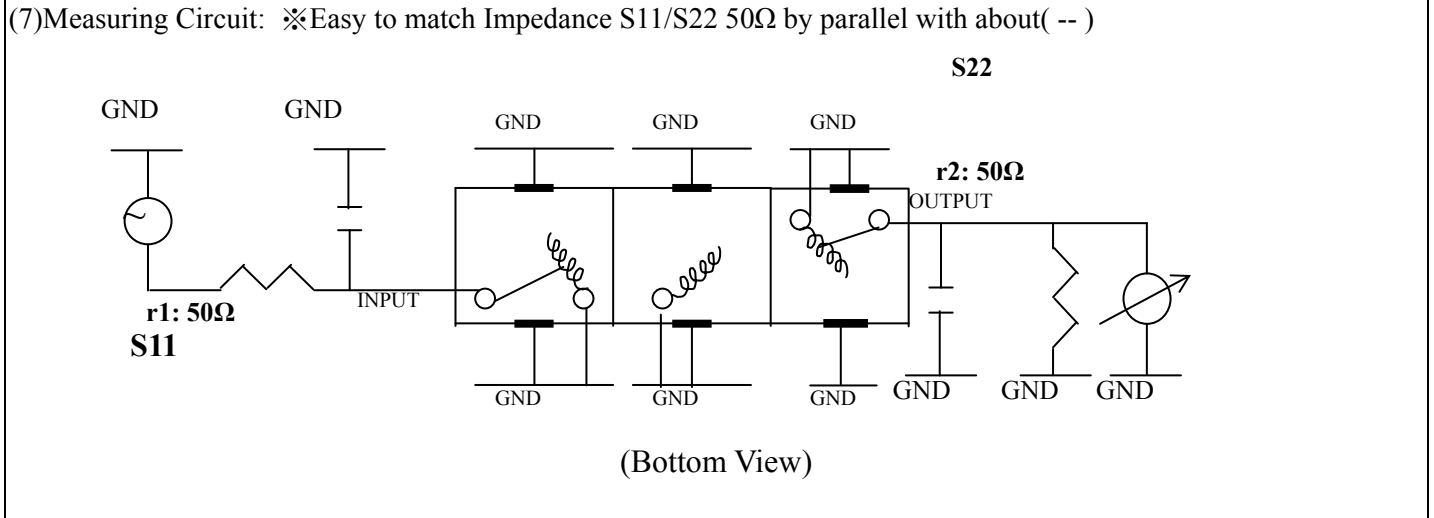


VHF UHF Helical Filter Specification Sheet

Customer Name		Temwell's Part No.	TTW3722B-2225M
Approval No. /dated	201407142CD	Temwell's Print Name.	3722B 2225M
Work Instruction No.	201407142CD	Date	Dec.17.2014



(3) Electric Character			
Item	Specify	Performance	
Center Freq.(Fo) +/- 0.5 %	2225 MHz	2225	MHz
Insertion Loss	Typ. 4.5 dB	3.19	dB
-3 dB Bandwidth	Typ. 41 MHz	55.5	MHz
Sensitivity (Attenuation)	Fo - 150 MHz	Typ. 35	dBc
	Fo + 150 MHz	Typ. 26	dBc
	Fo - ()MHz	Typ.	dBc
	Fo +()MHz	Typ.	dBc
Return Loss	Min. 12 dB	20.1	dB
Ripple	< 1 dB		dB
Impedance	In / Out : 50 Ω	In / Out : 50 Ω	
(4) Torque for Tuning Screw			
> 60gf • cm			
(5) Temperature Condition:			
Operating Temperature	0°C ~ +60°C		
Storage Temperature	-20°C ~ +70°C		
(6) Input Power			
> 0.5Watt			



Approval C.Y.Chang	Supervisor C.K.Chang	Designer C.S.Chang	Aperture size 5W3S(3.8*3.5)(3.56) 5HW046RB3.2(J1)
-----------------------	-------------------------	-----------------------	---

Performance-TTW3722B-2225M

201407142CD

