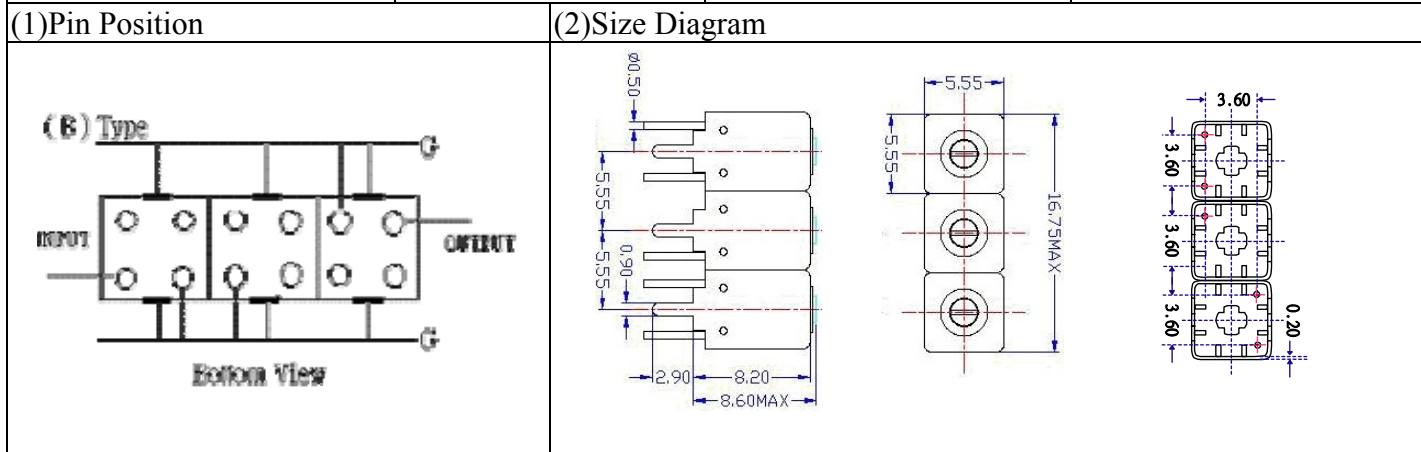


VHF UHF Helical Filter Specification Sheet

Customer Name		Temwell's Part No.	TTW3721B-2175M
Approval No. /dated	201407132CD	Temwell's Print Name.	3721B 2175M
Work Instruction No.	201407132CD	Date	Jan.22.2015



(3) Electric Character

Item	Specify	Performance
Center Freq.(Fo) +/- 0.5 %	2175 MHz	2175 MHz
Insertion Loss	Typ. 4.5 dB	3.43 dB
-3 dB Bandwidth	Typ. 39 MHz	57.3 MHz
Sensitivity (Attenuation)	Fo - 150 MHz	Typ. 36 dBc
	Fo + 150 MHz	Typ. 27 dBc
	Fo - ()MHz	Typ. dBc
	Fo +()MHz	Typ. dBc
Return Loss	Min. 12 dB	26.8 dB
Ripple	< 1 dB	dB
Impedance	In / Out : 50 Ω	In / Out : 50 Ω

(4) Torque for Tuning Screw

	> 60gf • cm
--	-------------

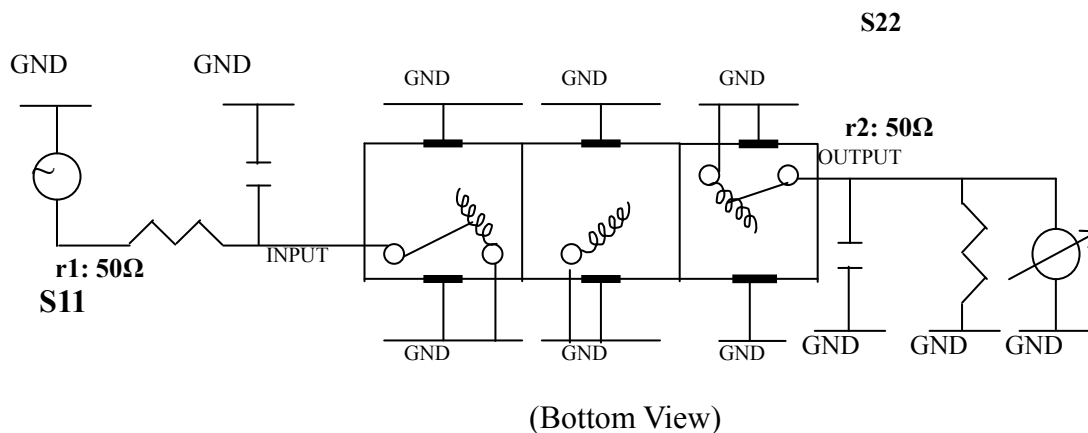
(5) Temperature Condition:

Operating Temperature	0°C ~ +60°C
-----------------------	-------------

Storage Temperature	-20°C ~ +70°C
---------------------	---------------

(6) Input Power	> 0.5Watt
-----------------	-----------

(7) Measuring Circuit: ※Easy to match Impedance S11/S22 50Ω by parallel with about(--)



Approval	Supervisor	Designer	Aperture size
C.Y.Chang	C.K.Chang	C.S.Chang	5W3S(3.8*3.5)(3.56) 5HW046RB3.2(J1)

TEMWELL CORPORATION

Performance-TTW3721B-2175M

201407132CD

