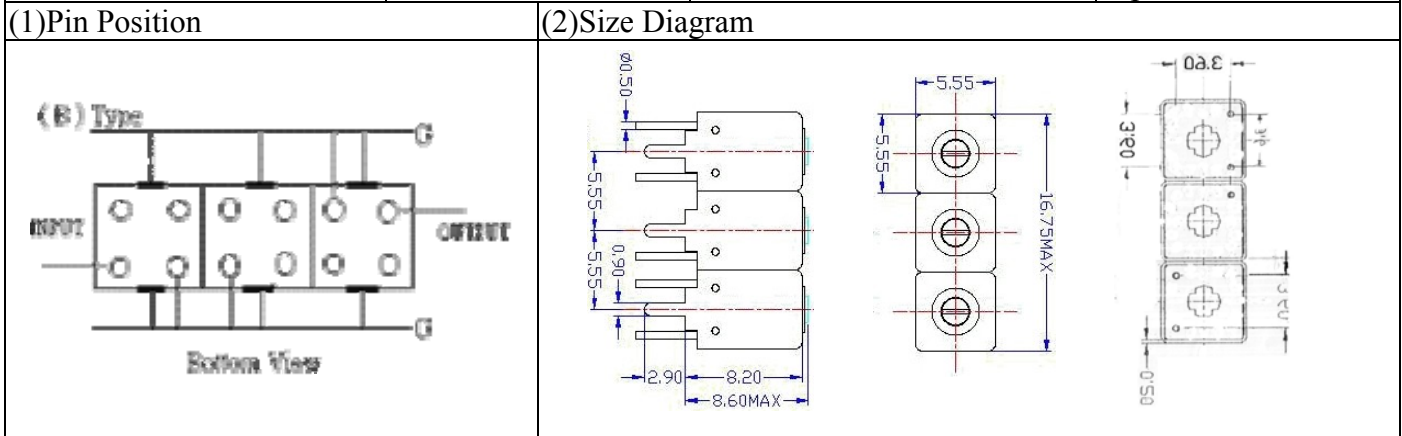


# VHF UHF Helical Filter Specification Sheet

Customer Name		Temwell's Part No.	TTW3720B1-2125M
Approval No. /dated	0909001CD	Temwell's print Name.	3720B1 2125M
Work Instruction No.	200909001CD	Date	Sep.03.2009



(3) Electric Characteristic

Item	Specify	Performance
Center Freq.(Fo) +/- 0.5 %	2125 MHz	2125 MHz
Insertion Loss	Typ. 4.5 dB	3.85 dB
-3 dB Bandwidth	Typ. 35 MHz	54.5 MHz
Sensitivity (Attenuation)	Fo - 100 MHz	Typ. 31 dBc
	Fo + 100 MHz	Typ. 21 dBc
	Fo - ( )MHz	Typ. dBc
	Fo +( )MHz	Typ. dBc
Return Loss	Min. 12 dB	31.5 dB
Ripple	< 1 dB	dB
Impedance	In / Out : 50 Ω	In / Out : 50 Ω

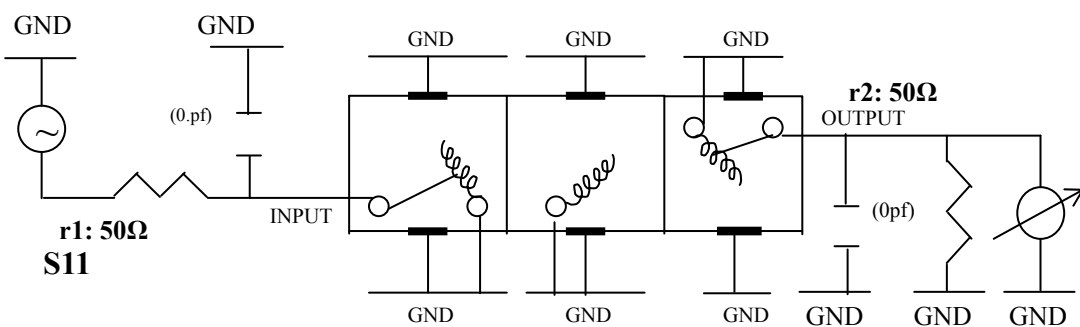
(4) Torque for Tuning Screw > 60gf · cm

(5) Temperature Condition:

Operating Temperature	0°C ~ +60°C
Storage Temperature	-20°C ~ +70°C

(6) Input Power > 0.5Watt

(7) Measuring Circuit: ※Easy to match Impedance S11/S22 50Ω/ by parallel with about (0pF) / ( 0pF).  
S22



(Bottom View)

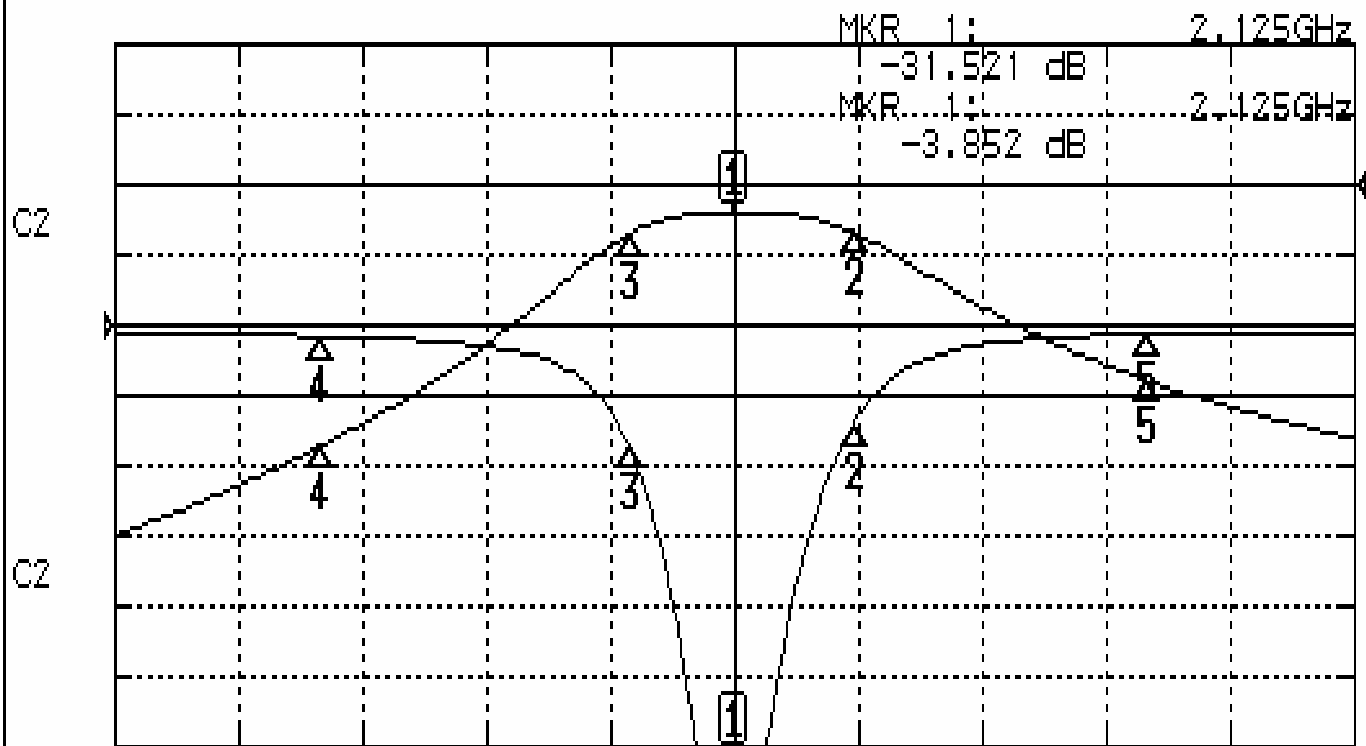
Approval	Supervisor	Designer	Aperture size
C.Y.Chang	C.K.Chang	C.H.Yeh	5W3S(3.8*3.5)(3.59) 052W046RB3.5

TEMWELL CORPORATION

# Performance-TTW3720B1-2125M

## 200909001CD

CH1 S11 LOG MAG REF 0.000 dB 5.000 dB/  
CH2 S21 LOG MAG REF 0.000 dB 10.000 dB/



CENTER 2.125GHz

[ 10.00 dBm ]

SPAN 300MHz

### CH1 MARKER LIST

Marker	Frequency (GHz)	Magnitude (dB)
1	2.125 000GHz	-31.517 dB
2	2.154 250GHz	-16.921 dB
3	2.099 750GHz	-8.614 dB
4	2.025 000GHz	-0.781 dB
5	2.225 000GHz	-0.616 dB

### CH2 MARKER LIST

Marker	Frequency (GHz)	Magnitude (dB)
1	2.125 000GHz	-3.852 dB
2	2.154 250GHz	-16.851 dB
3	2.099 750GHz	-16.792 dB
4	2.025 000GHz	-37.176 dB
5	2.225 000GHz	-27.842 dB