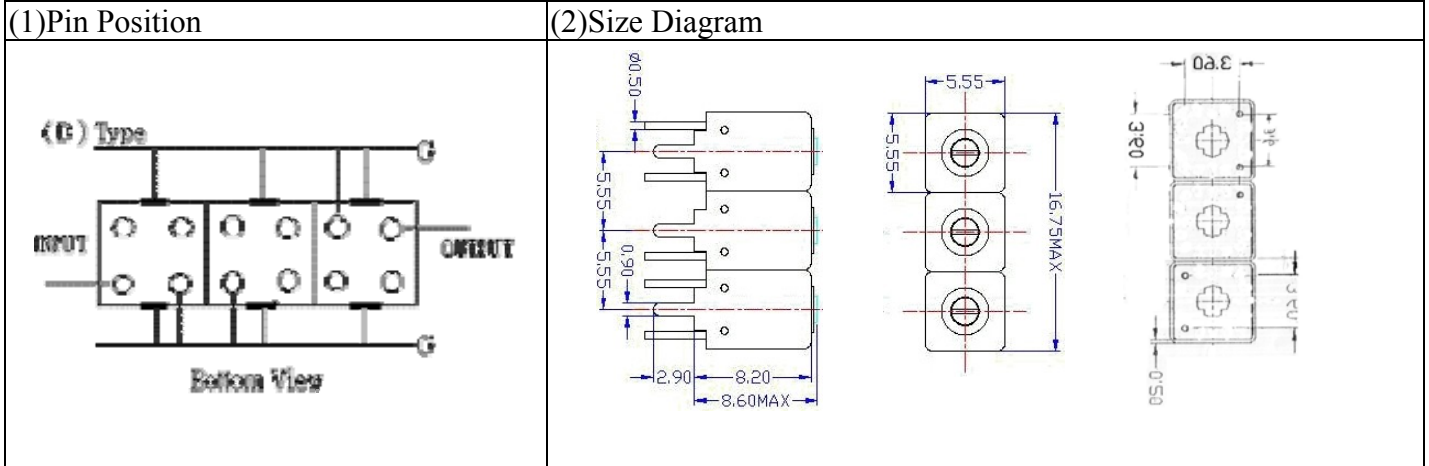
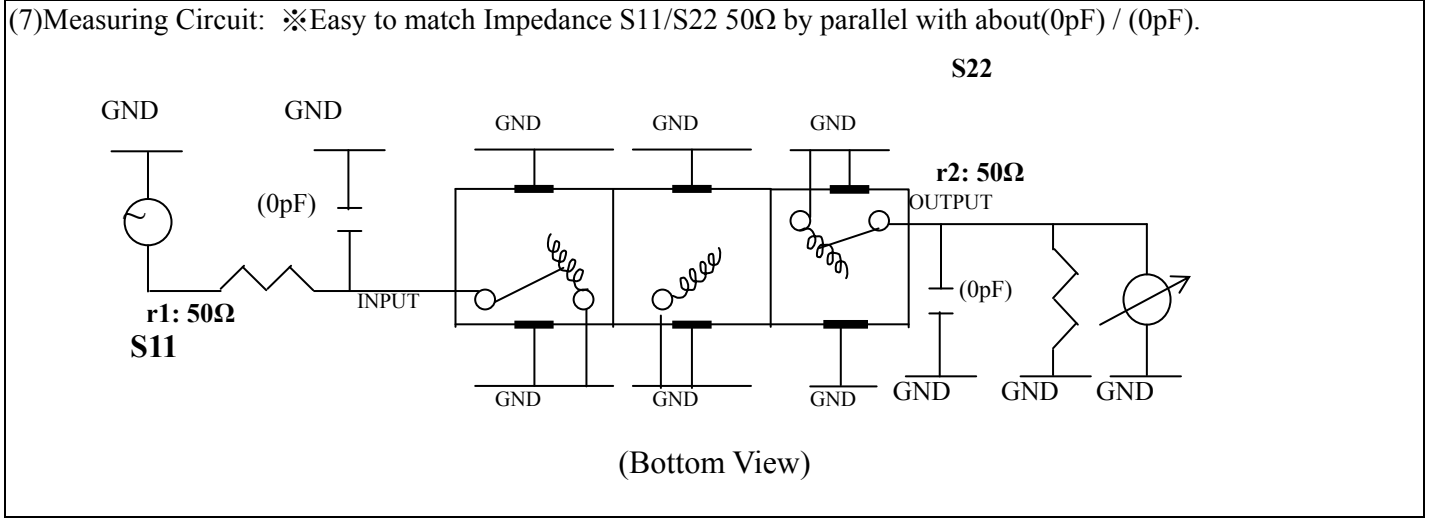


VHF UHF Helical Filter Specification Sheet

Customer Name		Temwell's Part No.	TTW3718B-1775M
Approval No. /dated	0904192CD	Temwell's Print Name.	3718B 1775M
Work Instruction No.	200904192CD	Date	Aug.19.2009



(3) Electric Character			
Item	Specify	Performance	
Center Freq.(Fo) +/- 0.5 %	1775 MHz	1775	MHz
Insertion Loss	Typ. 4.5 dB	3.62	dB
-3 dB Bandwidth	Typ. 35 MHz	46.6	MHz
Sensitivity (Attenuation)	Fo -(100) MHz	Typ. 34	dBc
	Fo +(100) MHz	Typ. 25	dBc
	Fo -()MHz	Typ.	dBc
	Fo +()MHz	Typ.	dBc
Return Loss	Min. 12 dB	33.8	dB
Ripple	< 1 dB		dB
Impedance	In / Out : 50 Ω	In / Out : 50 Ω	
(4) Torque for Tuning Screw	> 60gf · cm		
(5) Temperature Condition:			
Operating Temperature	0°C ~ +60°C		
Storage Temperature	-20°C ~ +70°C		
(6) Input Power	> 0.5Watt		



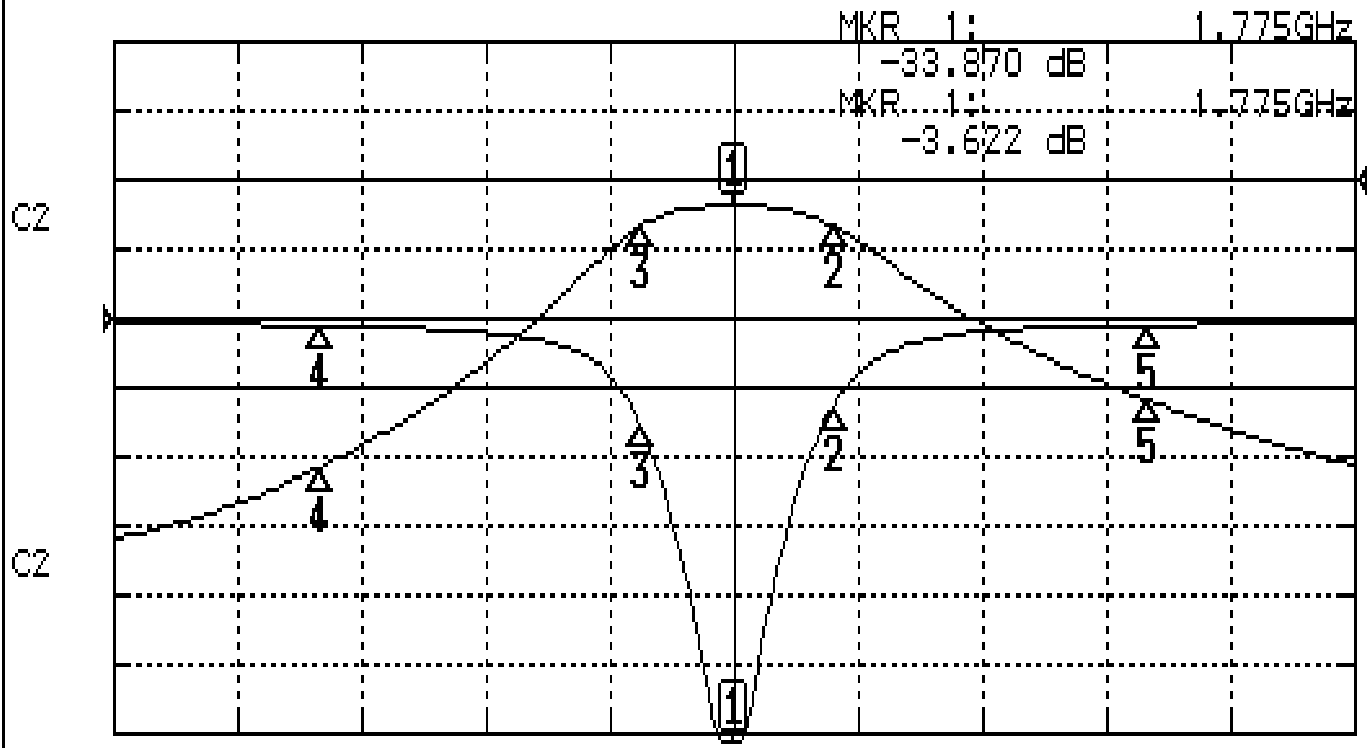
Approval C.Y.Chang	Supervisor C.K.Chang	Designer Y.H.Yeh	Aperture size 5W3S(3.8*4.0)(4.12) 5HW046RB3.2
-----------------------	-------------------------	---------------------	---

TEMWELL CORPORATION

Performance-TTW3718B-1775M

200904192CD

CH1 S11 LOG MAG REF 0.000 dB 5.000 dB/
CH2 S21 LOG MAG REF 0.000 dB 10.000 dB/



CENTER 1.775GHz

[10.00 dBm]

SPAN 300MHz

CH1 MARKER LIST

1:	1.775	000GHz	-33.870	dB
2:	1.799	000GHz	-6.373	dB
3:	1.752	400GHz	-7.632	dB
4:	1.675	000GHz	-0.520	dB
5:	1.875	000GHz	-0.482	dB
6:				
7:				
8:				
9:				
10:				

CH2 MARKER LIST

1:	1.775	000GHz	-3.622	dB
2:	1.799	000GHz	-6.640	dB
3:	1.752	400GHz	-6.638	dB
4:	1.675	000GHz	-41.454	dB
5:	1.875	000GHz	-31.845	dB
6:				
7:				
8:				
9:				
10:				