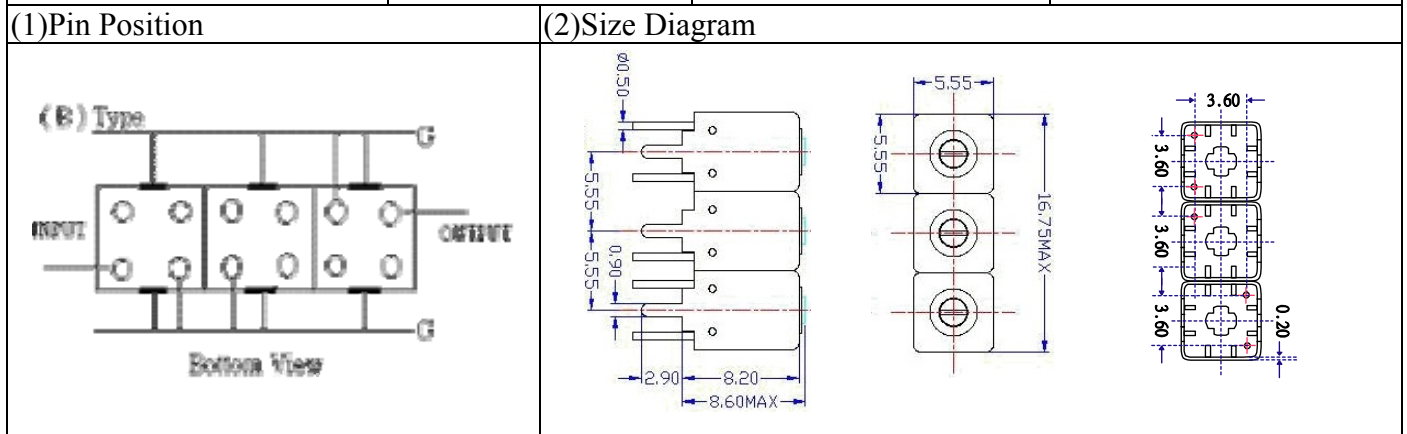


# VHF UHF Helical Filter Specification Sheet

Customer Name		Temwell's Part No.	TTW3716B-1275M
Approval No. /dated	201407110CD	Temwell's Print Name.	3716B 1275M
Work Instruction No.	201407110CD	Date	Nov.04.2014



(3) Electric Character		Item	Specify	Performance
Center Freq.(Fo) +/- 0.5 %			1275 MHz	1275 MHz
Insertion Loss		Typ.	3.5 dB	2.75 dB
-3 dB Bandwidth		Typ.	30 MHz	39.9 MHz
Sensitivity (Attenuation)	Fo - 100 MHz	Typ.	38 dBc	43 dBc
	Fo + 100 MHz	Typ.	30 dBc	35 dBc
	Fo - ( )MHz	Typ.	dBc	dBc
	Fo +( )MHz	Typ.	dBc	dBc
Return Loss		Min.	12 dB	22.1 dB
Ripple			< 1 dB	dB
Impedance			In / Out : 50 Ω	In / Out : 50 Ω

(4) Torque for Tuning Screw > 60gf · cm

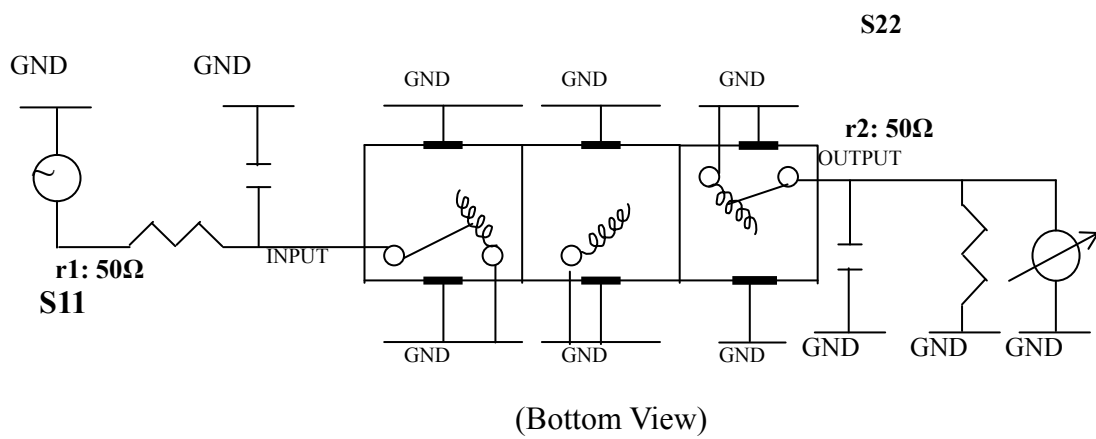
(5) Temperature Condition:

Operating Temperature 0°C ~ +60°C

Storage Temperature -20°C ~ +70°C

(6) Input Power > 0.5Watt

(7) Measuring Circuit: ※Easy to match Impedance S11/S22 50Ω by parallel with about( -- ) / ( -- ).



Approval	Supervisor	Designer	Aperture size
C.Y.Chang	C.K.Chang	F.L.Lai	5W3S(3.8*3.5)(3.54) 5HW046RB3.2

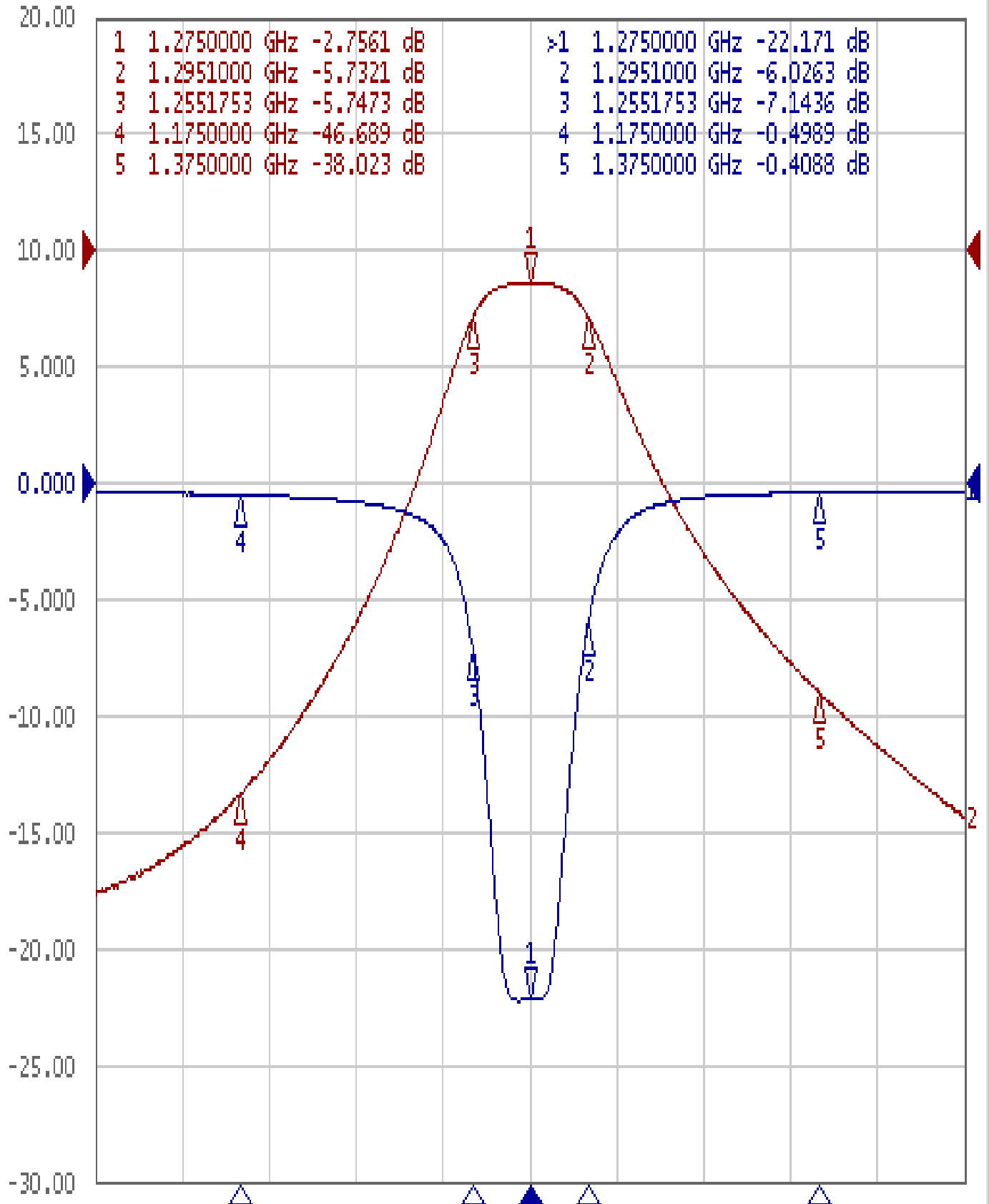
TEMWELL CORPORATION

# Performance-TTW3716B-1275M

## 201407110CD

Tr1 S11 Log Mag 5.000dB/ Ref 0.000dB [F2]

Tr2 S21 Log Mag 10.00dB/ Ref 0.000dB [F2]



1 Center 1.275 GHz

IFBW 10 kHz

Span 300 MHz

Cor !