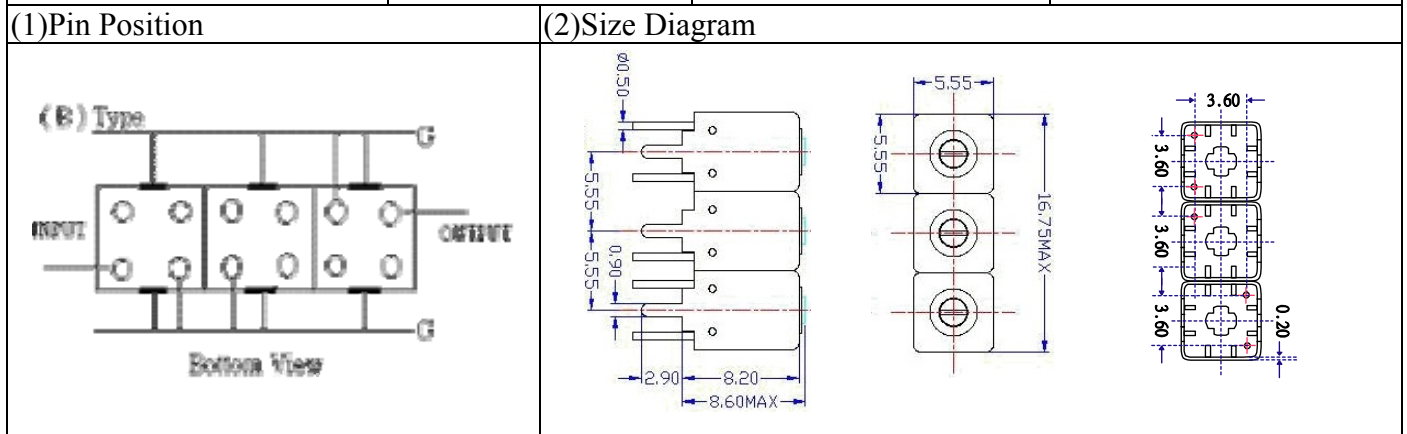


VHF UHF Helical Filter Specification Sheet

Customer Name		Temwell's Part No.	TTW3715B-1225M
Approval No. /dated	201407106CD	Temwell's Print Name.	3715B 1225M
Work Instruction No.	201407106CD	Date	Nov.21.2014



(3) Electric Character			
Item		Specify	Performance
Center Freq.(Fo) +/- 0.5 %		1225 MHz	1225 MHz
Insertion Loss		Typ. 3.0 dB	2.29 dB
-3 dB Bandwidth		Typ. 30 MHz	41.5 MHz
Sensitivity (Attenuation)	Fo - 150 MHz	Typ. 49 dBc	54 dBc
	Fo + 150 MHz	Typ. 31 dBc	36 dBc
	Fo - ()MHz	Typ. dBc	dBc
	Fo +()MHz	Typ. dBc	dBc
Return Loss		Min. 12 dB	21.7 dB
Ripple		< 1 dB	dB
Impedance		In / Out : 50 Ω	In / Out : 50 Ω

(4) Torque for Tuning Screw > 60gf · cm

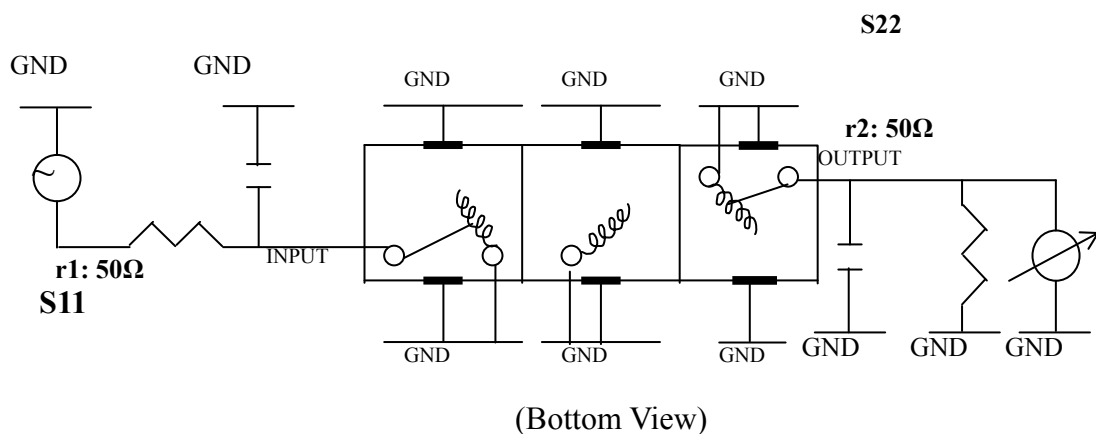
(5) Temperature Condition:

Operating Temperature 0°C ~ +60°C

Storage Temperature -20°C ~ +70°C

(6) Input Power > 0.5Watt

(7) Measuring Circuit: ※Easy to match Impedance S11/S22 50Ω by parallel with about(--) / (--).



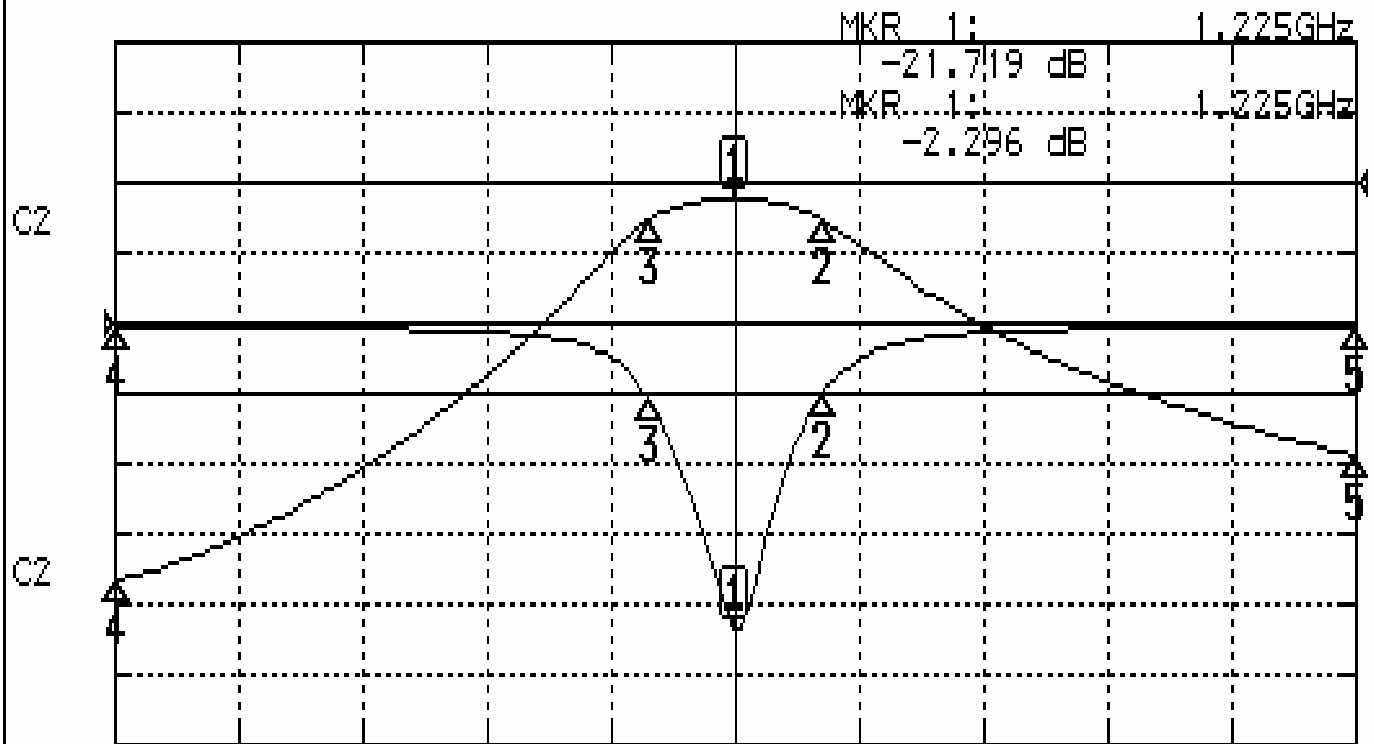
Approval	Supervisor	Designer	Aperture size
C.Y.Chang	C.K.Chang	C.H.Yeh	5W3S(3.8*4.5)(4.45) 5HW02RB3

TEMWELL CORPORATION

Performance-TTW3715B-1225M

201407106CD

CH1 S11 LOG MAG REF 0.000 dB 5.000 dB/
CH2 S21 LOG MAG REF 0.000 dB 10.000 dB/



CENTER 1.225GHz

[10.00 dBm]

SPAN 300MHz

CH1 MARKER LIST

Marker	Freq (GHz)	Magnitude (dB)
1	1.225 000	-21.714
2	1.246 000	-5.126
3	1.204 500	-5.510
4	1.075 000	-0.239
5	1.375 000	-0.274

CH2 MARKER LIST

Marker	Freq (GHz)	Magnitude (dB)
1	1.225 000	-2.296
2	1.246 000	-1.220
3	1.204 500	-1.244
4	1.075 000	-36.698
5	1.375 000	-38.799