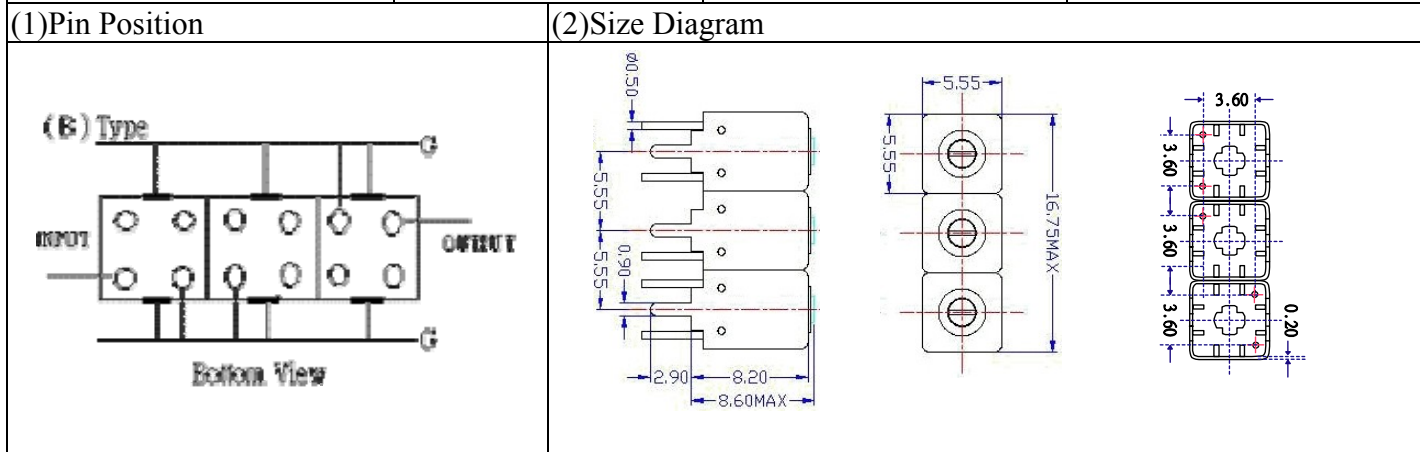


# VHF UHF Helical Filter Specification Sheet

|                      |             |                       |                |
|----------------------|-------------|-----------------------|----------------|
| Customer Name        |             | Temwell's Part No.    | TTW3710B-2275M |
| Approval No. /dated  | 201407145CD | Temwell's Print Name. | 3710B<br>2275M |
| Work Instruction No. | 201407145CD | Date                  | Dec.24.2014    |



(3) Electric Character

| Item                         | Specify         | Performance     |
|------------------------------|-----------------|-----------------|
| Center Freq.(Fo) +/- 0.5 %   | 2275 MHz        | 2275 MHz        |
| Insertion Loss               | Typ. 5.0 dB     | 4.09 dB         |
| -3 dB Bandwidth              | Typ. 26 MHz     | 45.4 MHz        |
| Sensitivity<br>(Attenuation) | Fo - 100 MHz    | Typ. 30 dBc     |
|                              | Fo + 100 MHz    | Typ. 23 dBc     |
|                              | Fo - ( )MHz     | Typ. dBc        |
|                              | Fo +( )MHz      | Typ. dBc        |
| Return Loss                  | Min. 12 dB      | 22.9 dB         |
| Ripple                       | < 1 dB          | dB              |
| Impedance                    | In / Out : 50 Ω | In / Out : 50 Ω |

(4) Torque for Tuning Screw > 60gf · cm

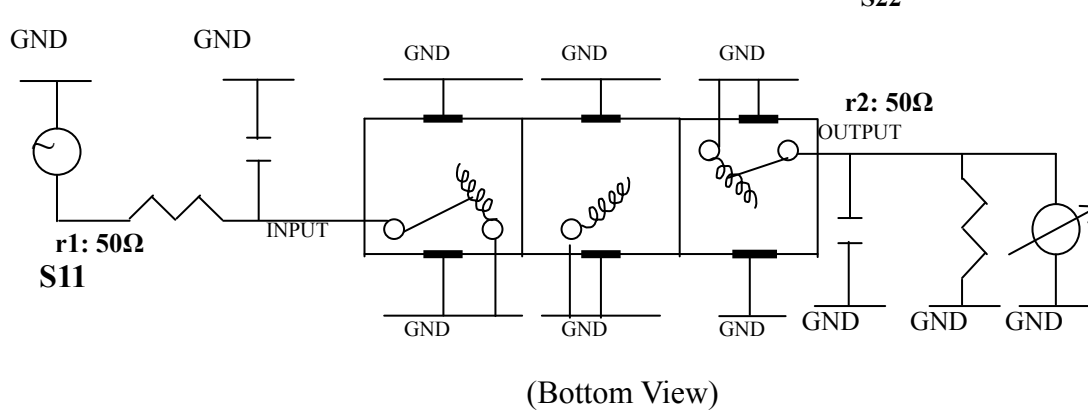
(5) Temperature Condition:

Operating Temperature 0°C ~ +60°C

Storage Temperature -20°C ~ +70°C

(6) Input Power > 0.5Watt

(7) Measuring Circuit: ※Easy to match Impedance S11/S22 50Ω by parallel with about( -- )



|                       |                         |                       |   |
|-----------------------|-------------------------|-----------------------|---|
| Approval<br>C.Y.Chang | Supervisor<br>C.K.Chang | Designer<br>C.S.Chang | Aperture size<br>5W3S(3.8*3.5)(3.56)<br>5HW046RB3.2(J1) |
|-----------------------|-------------------------|-----------------------|---|

TEMWELL CORPORATION

# Performance-TTW3710B-2275M

## 201407145CD

