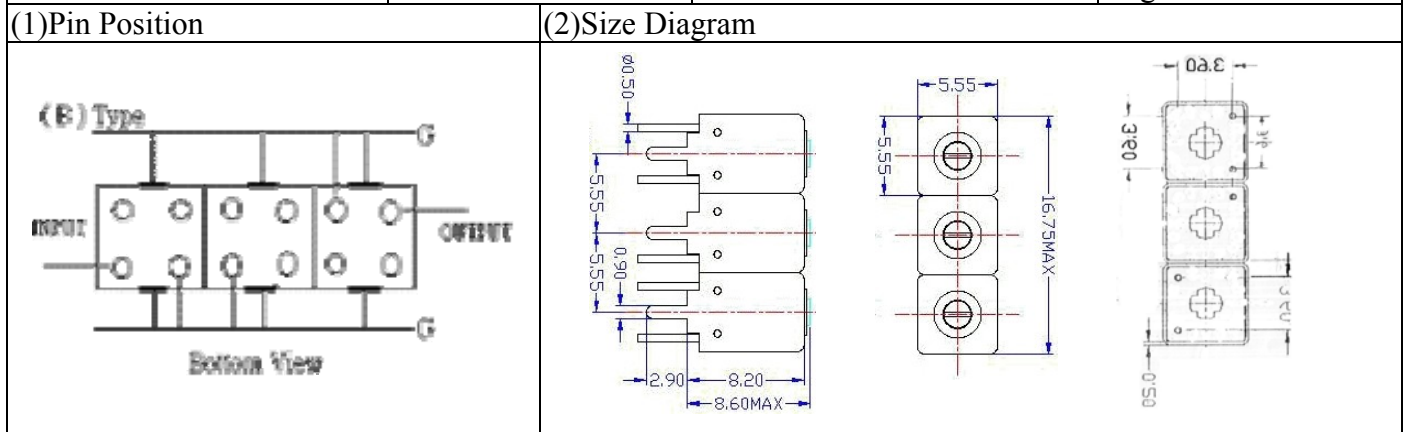


# VHF UHF Helical Filter Specification Sheet

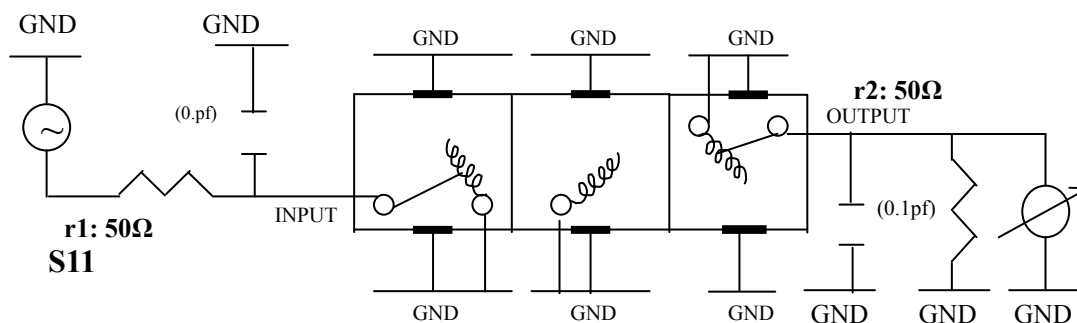
Customer Name		Temwell's Part No.	TTW3707B-2125M
Approval No. /dated	0907047CD	Temwell's print Name.	3707B 2125M
Work Instruction No.	200907047CD	Date	Aug.26.2009



(3) Electric Characteristic					
Item		Specify		Performance	
Center Freq.(Fo) +/- 0.5 %		2125 MHz		2125 MHz	
Insertion Loss		Typ. 5.0 dB		4.47 dB	
-3 dB Bandwidth		Typ. 25 MHz		43.7 MHz	
Sensitivity (Attenuation)	Fo - 100 MHz	Typ. 32 dBc		40 dBc	
	Fo + 100 MHz	Typ. 23 dBc		26 dBc	
	Fo - ( )MHz	Typ. dBc		dBc	
	Fo + ( )MHz	Typ. dBc		dBc	
Return Loss		Min. 12 dB		28.6 dB	
Ripple		< 1 dB		dB	
Impedance		In / Out : 50 Ω		In / Out : 50 Ω	
(4) Torque for Tuning Screw		> 60gf • cm			

(5) Temperature Condition:	
Operating Temperature	0°C ~ +60°C
Storage Temperature	-20°C ~ +70°C
(6) Input Power	> 0.5Watt

(7) Measuring Circuit: ※Easy to match Impedance S11/S22 50Ω/ by parallel with about (0pF) / (0.1pF).  
S22



(Bottom View)

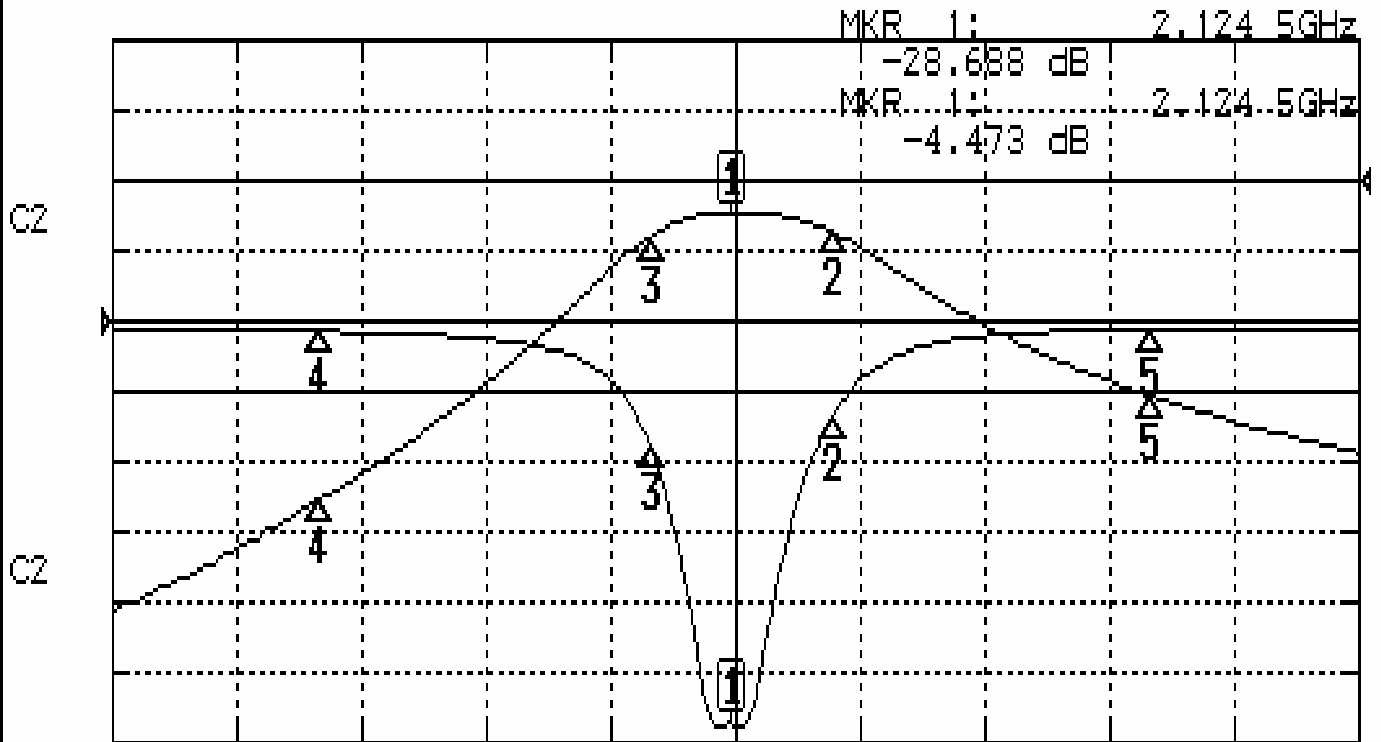
Approval	Supervisor	Designer	Aperture size
C.Y.Chang	C.K.Chang	C.H.Yeh	5W3S(3.8*4.0)(4.14) 5HW024RB3

TEMWELL CORPORATION

# Performance-TTW3707B-2125M

## 200907047CD

**CH1** S11                      LOG MAG                      REF   0.000 dB                      5.000 dB/  
**CH2** S21                      LOG MAG                      REF   0.000 dB                      10.000 dB/



MKR 1:                      2.124 5GHz  
 -28.688 dB  
 MKR 1:                      2.124 5GHz  
 -4.473 dB

CENTER 2.125GHz

[ 10.00 dBm ]

SPAN 300MHz

**CH1 MARKER LIST**

1:	2.124	500GHz	-28.688	dB
2:	2.148	750GHz	-6.615	dB
3:	2.105	000GHz	-9.107	dB
4:	2.025	000GHz	-0.708	dB
5:	2.225	000GHz	-0.552	dB

**CH2 MARKER LIST**

1:	2.124	500GHz	-4.473	dB
2:	2.148	750GHz	-7.423	dB
3:	2.105	000GHz	-7.553	dB
4:	2.025	000GHz	-45.335	dB
5:	2.225	000GHz	-30.640	dB