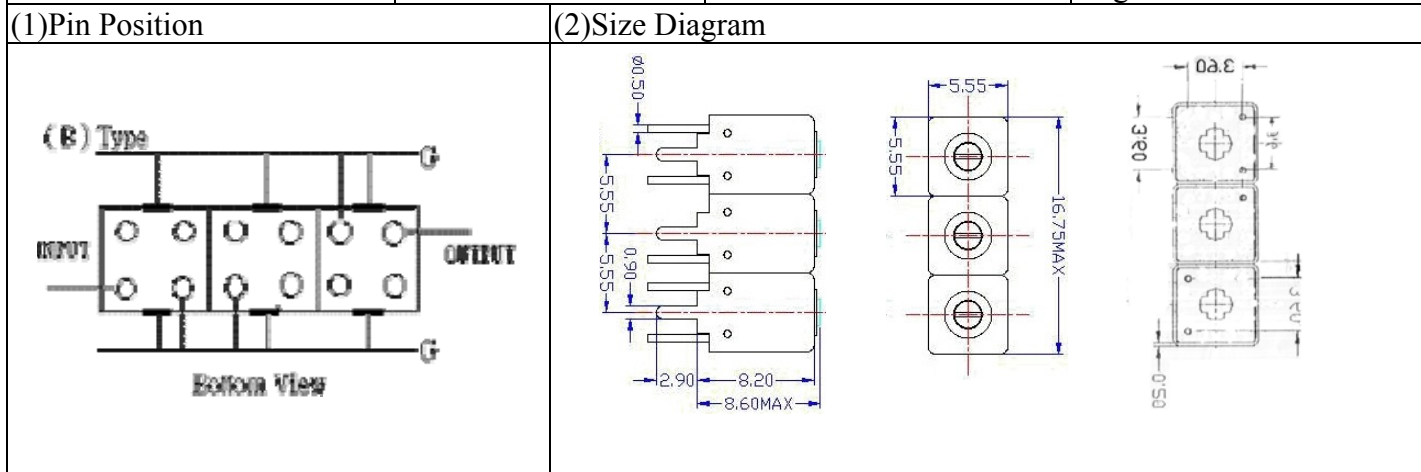


# VHF UHF Helical Filter Specification Sheet

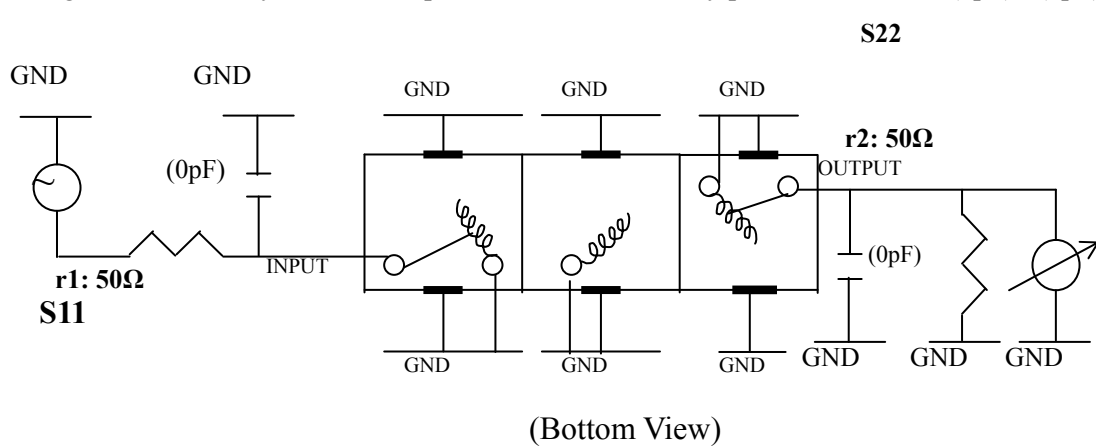
Customer Name		Temwell's Part No.	TTW3705B-2025M
Approval No. /dated	0907044CD	Temwell's Print Name.	3705B 2025M
Work Instruction No.	200907044CD	Date	Aug.20.2009



(3) Electric Character

Item	Specify	Performance
Center Freq.(Fo) +/- 0.5 %	2025 MHz	2025 MHz
Insertion Loss	Typ. 4.5 dB	3.89 dB
-3 dB Bandwidth	Typ. 30 MHz	49.0 MHz
Sensitivity (Attenuation)	Fo - 100 MHz	Typ. 31 dBc
	Fo + 100 MHz	Typ. 25 dBc
	Fo - ( )MHz	Typ. dBc
	Fo +( )MHz	Typ. dBc
Return Loss	Min. 12 dB	28.2 dB
Ripple	< 1 dB	dB
Impedance	In / Out : 50 Ω	In / Out : 50 Ω
(4) Torque for Tuning Screw	> 60gf · cm	
(5) Temperature Condition:		
Operating Temperature	0°C ~ +60°C	
Storage Temperature	-20°C ~ +70°C	
(6) Input Power	> 0.5Watt	

(7) Measuring Circuit: ※Easy to match Impedance S11/S22 50Ω by parallel with about(0pF) / (0pF).



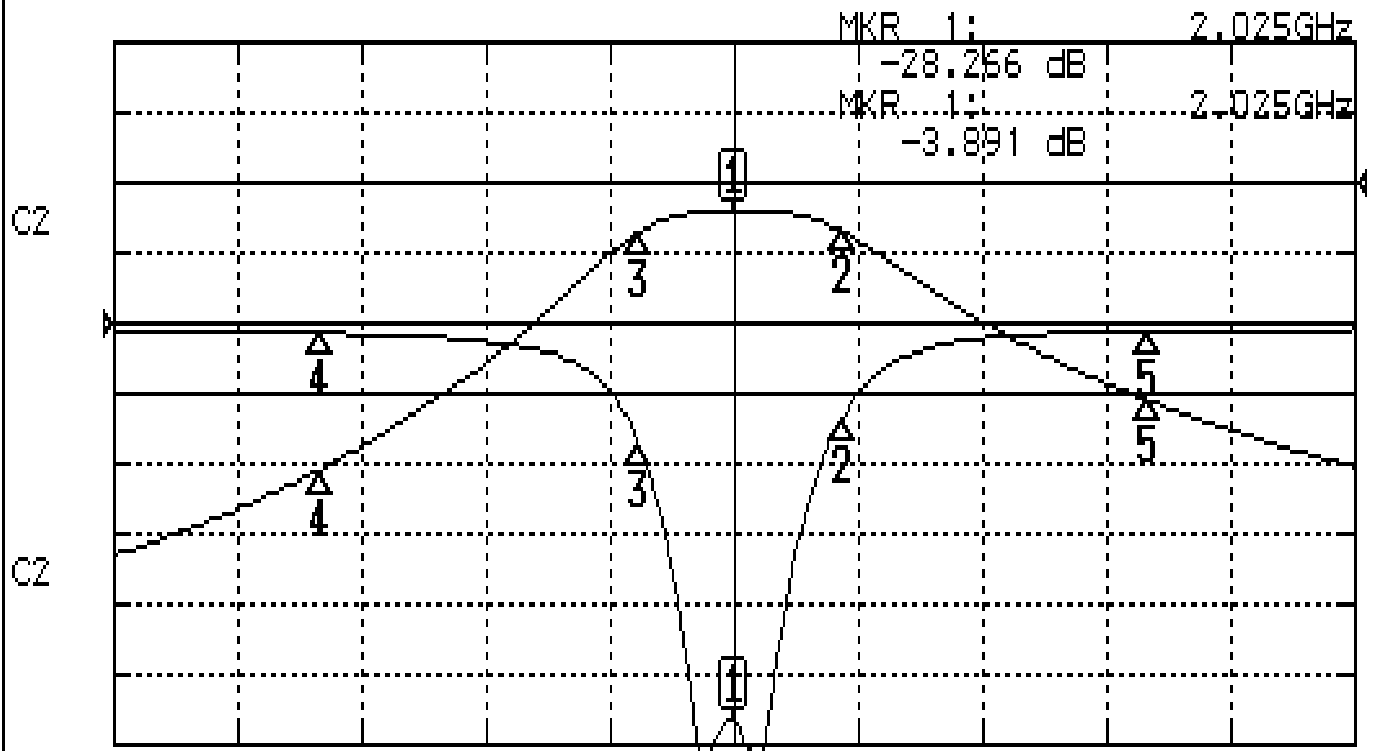
Approval	Supervisor	Designer	Aperture size
C.Y.Chang	C.K.Chang	C.H.Yeh	5W3S(3.8*4.0)(4.10) 5HW024RB3

TEMWELL CORPORATION

# Performance-TTW3705B-2025M

## 200907044CD

CH1 S11 LOG MAG REF 0.000 dB 5.000 dB/  
 CH2 S21 LOG MAG REF 0.000 dB 10.000 dB/



CENTER 2.025GHz

[ 10.00 dBm ]

SPAN 300MHz

### CH1 MARKER LIST

Marker	Freq (GHz)	Magnitude (dB)
1:	2.025 000GHz	-28.266 dB
2:	2.051 250GHz	-6.749 dB
3:	2.002 250GHz	-8.673 dB
4:	1.925 000GHz	-0.693 dB
5:	2.125 000GHz	-0.550 dB

### CH2 MARKER LIST

Marker	Freq (GHz)	Magnitude (dB)
1:	2.025 000GHz	-3.891 dB
2:	2.051 250GHz	-6.866 dB
3:	2.002 250GHz	-6.866 dB
4:	1.925 000GHz	-40.766 dB
5:	2.125 000GHz	-30.971 dB