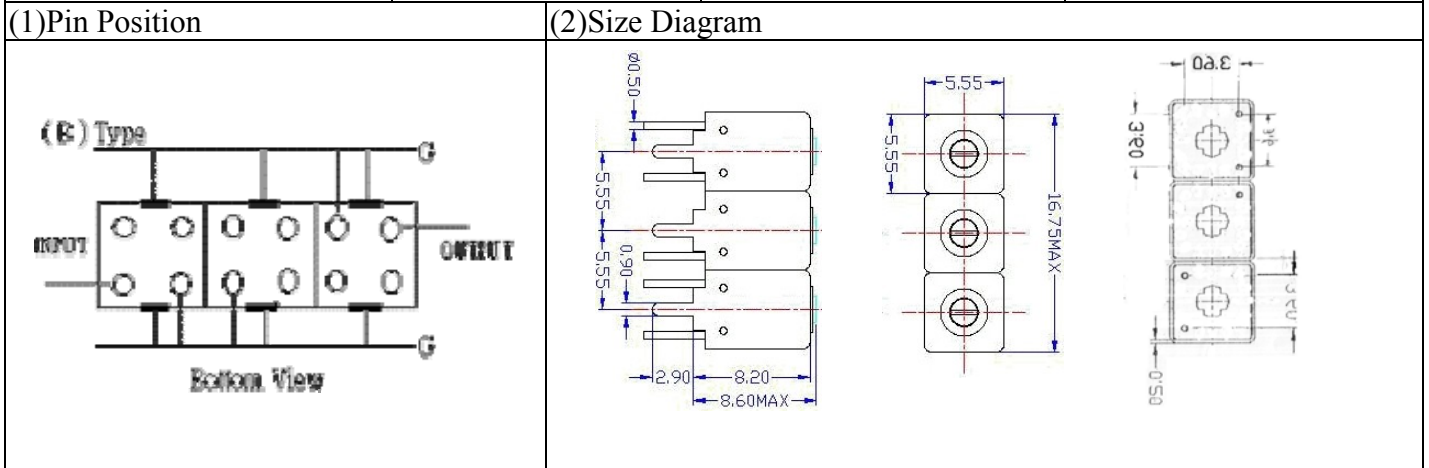
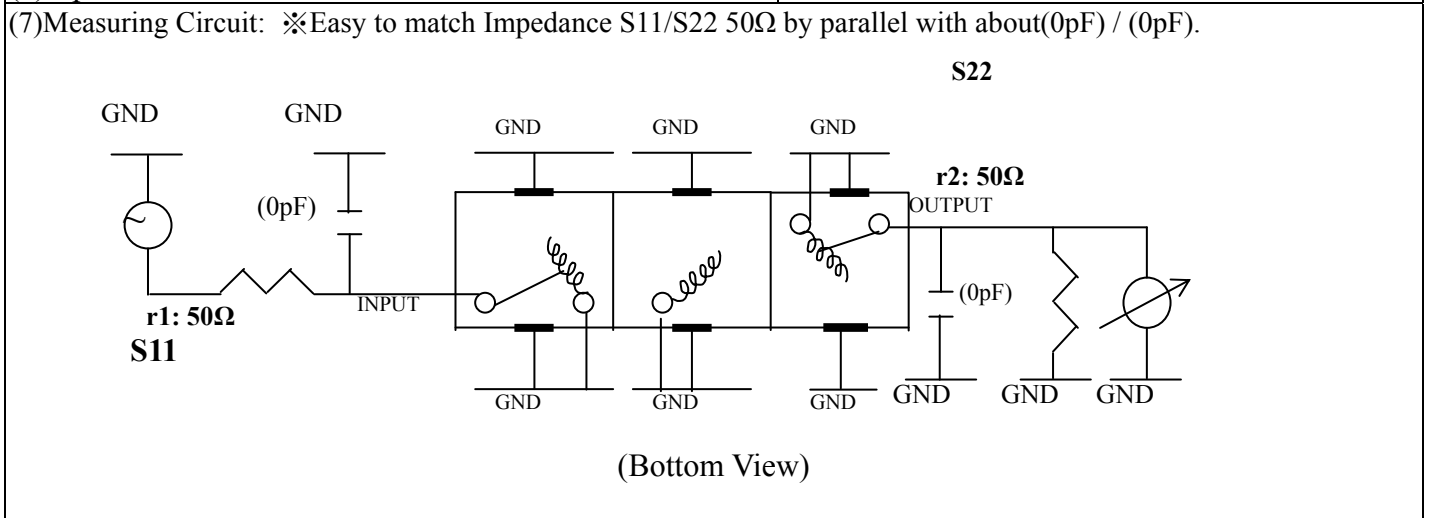


# VHF UHF Helical Filter Specification Sheet

Customer Name		Temwell's Part No.	TTW3704B-1925M
Approval No. /dated	0907043CD	Temwell's Print Name.	3704B 1925M
Work Instruction No.	200907043CD	Date	Aug.28.2009



(3) Electric Character			
Item	Specify		Performance
Center Freq.(Fo) +/- 0.5 %	1925	MHz	1925 MHz
Insertion Loss	Typ. 4.5	dB	3.75 dB
-3 dB Bandwidth	Typ. 28	MHz	45.7 MHz
Sensitivity (Attenuation)	Fo - 100 MHz	Typ. 37 dBc	40 dBc
	Fo + 100 MHz	Typ. 27 dBc	30 dBc
	Fo - ( )MHz	Typ. dBc	dBc
	Fo +( )MHz	Typ. dBc	dBc
Return Loss	Min. 12	dB	26.9 dB
Ripple	< 1	dB	dB
Impedance	In / Out : 50 Ω		In / Out : 50 Ω
(4) Torque for Tuning Screw			
> 60gf • cm			
(5) Temperature Condition:			
Operating Temperature	0°C ~ +60°C		
Storage Temperature	-20°C ~ +70°C		
(6) Input Power			
> 0.5Watt			



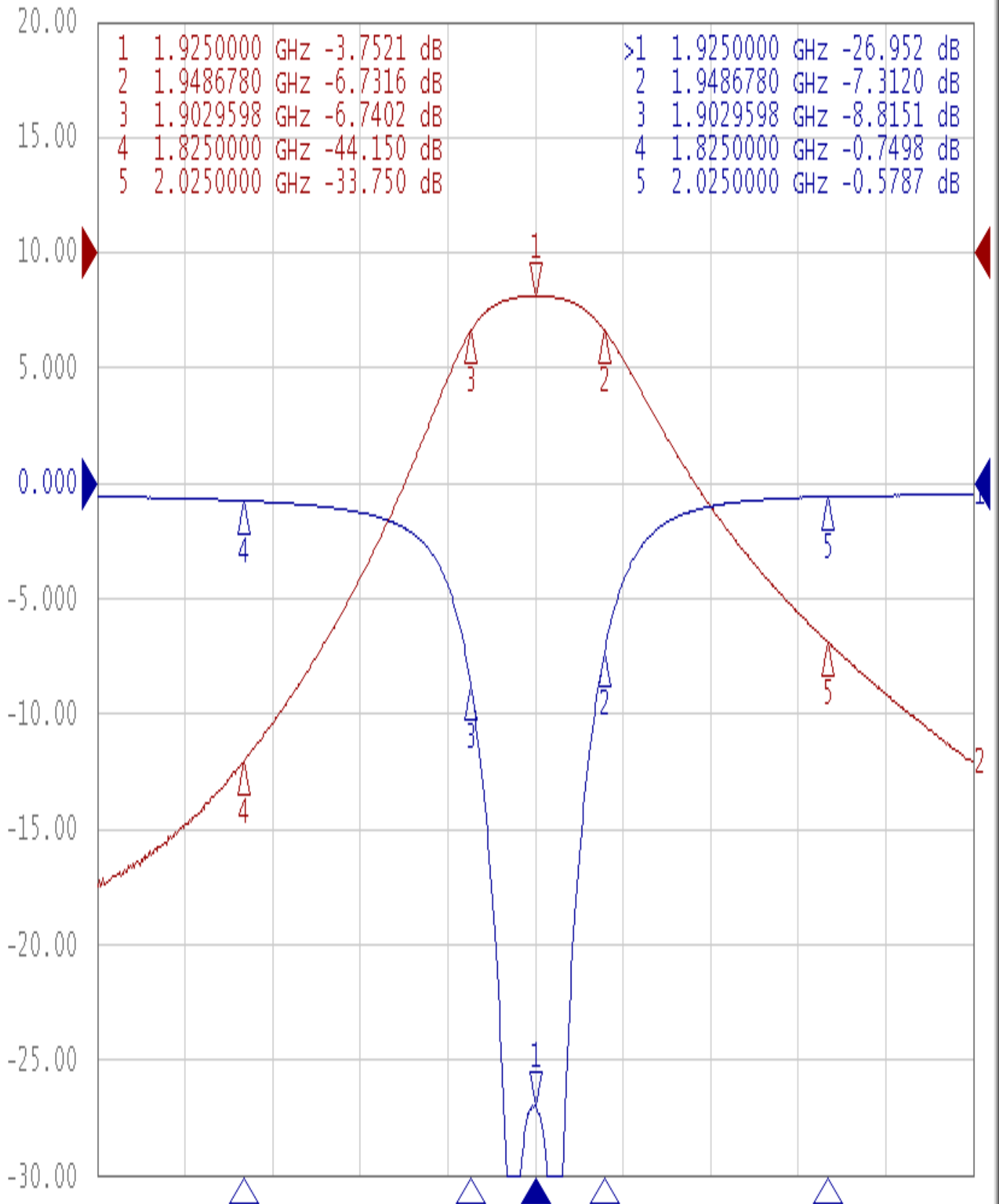
Approval	Supervisor	Designer	Aperture size
C.Y.Chang	C.K.Chang	C.S.Chang	5W3S(3.8*4.0)*(4.18) 5HW046RB3.2

TEMWELL CORPORATION

# Performance-TTW3704B-1925M

## 200907043CD

▶ Tr1 S11 Log Mag 5.000dB/ Ref 0.000dB [F2]  
Tr2 S21 Log Mag 10.00dB/ Ref 0.000dB [F2]



1 Center 1.925 GHz

IFBW 10 kHz

Span 300 MHz Cor !