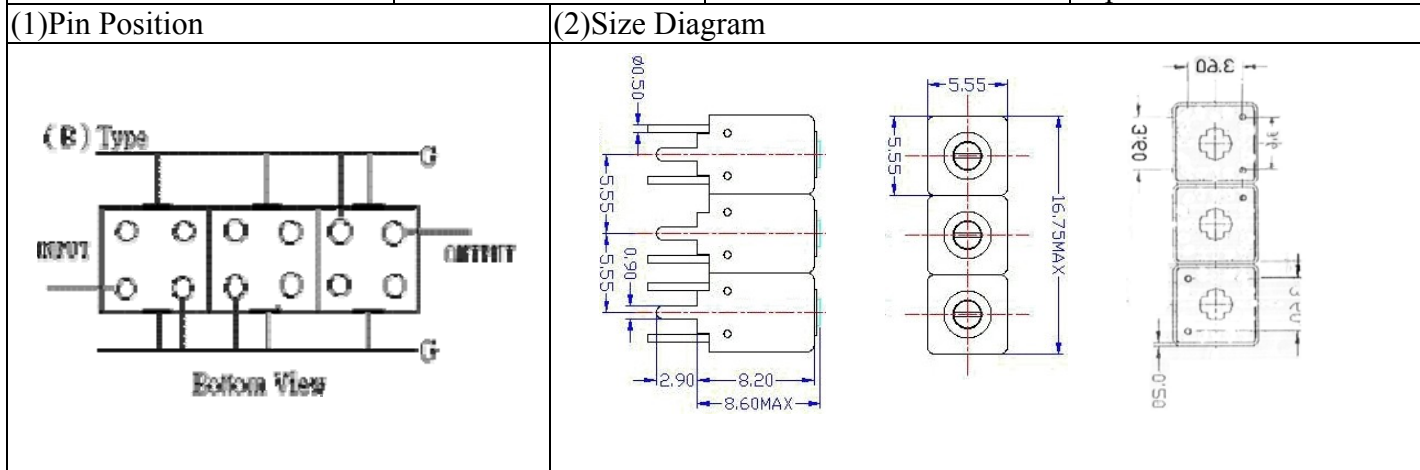


VHF UHF Helical Filter Specification Sheet

Customer Name		Temwell's Part No.	TTW3703B-1875M
Approval No. /dated	0907042CD	Temwell's Print Name.	3703B 1875M
Work Instruction No.	200907042CD	Date	Sep.11.2009



(3) Electric Character			
Item	Specify		Performance
Center Freq.(Fo) +/- 0.5 %	1875	MHz	1875 MHz
Insertion Loss	Typ. 4.5	dB	3.86 dB
-3 dB Bandwidth	Typ. 22	MHz	38.4 MHz
Sensitivity (Attenuation)	Fo - 100 MHz	Typ. 42	dBc
	Fo + 100 MHz	Typ. 32	dBc
	Fo - ()MHz	Typ.	dBc
	Fo +()MHz	Typ.	dBc
Return Loss	Min. 12	dB	21.8 dB
Ripple	< 1	dB	dB
Impedance	In / Out : 50 Ω		In / Out : 50 Ω

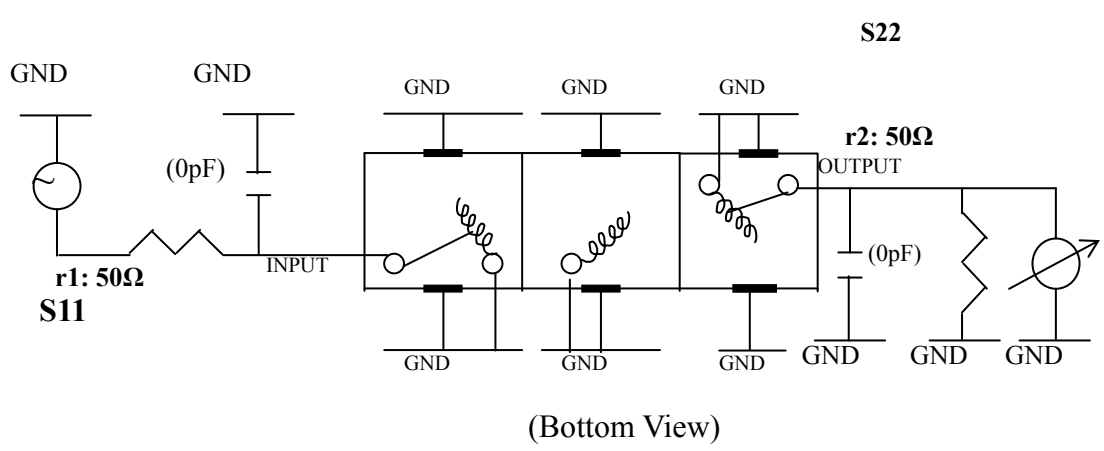
(4) Torque for Tuning Screw > 60gf • cm

(5) Temperature Condition:

Operating Temperature	0°C ~ +60°C
Storage Temperature	-20°C ~ +70°C

(6) Input Power > 0.5Watt

(7) Measuring Circuit: ※Easy to match Impedance S11/S22 50Ω by parallel with about(0pF) / (0pF).



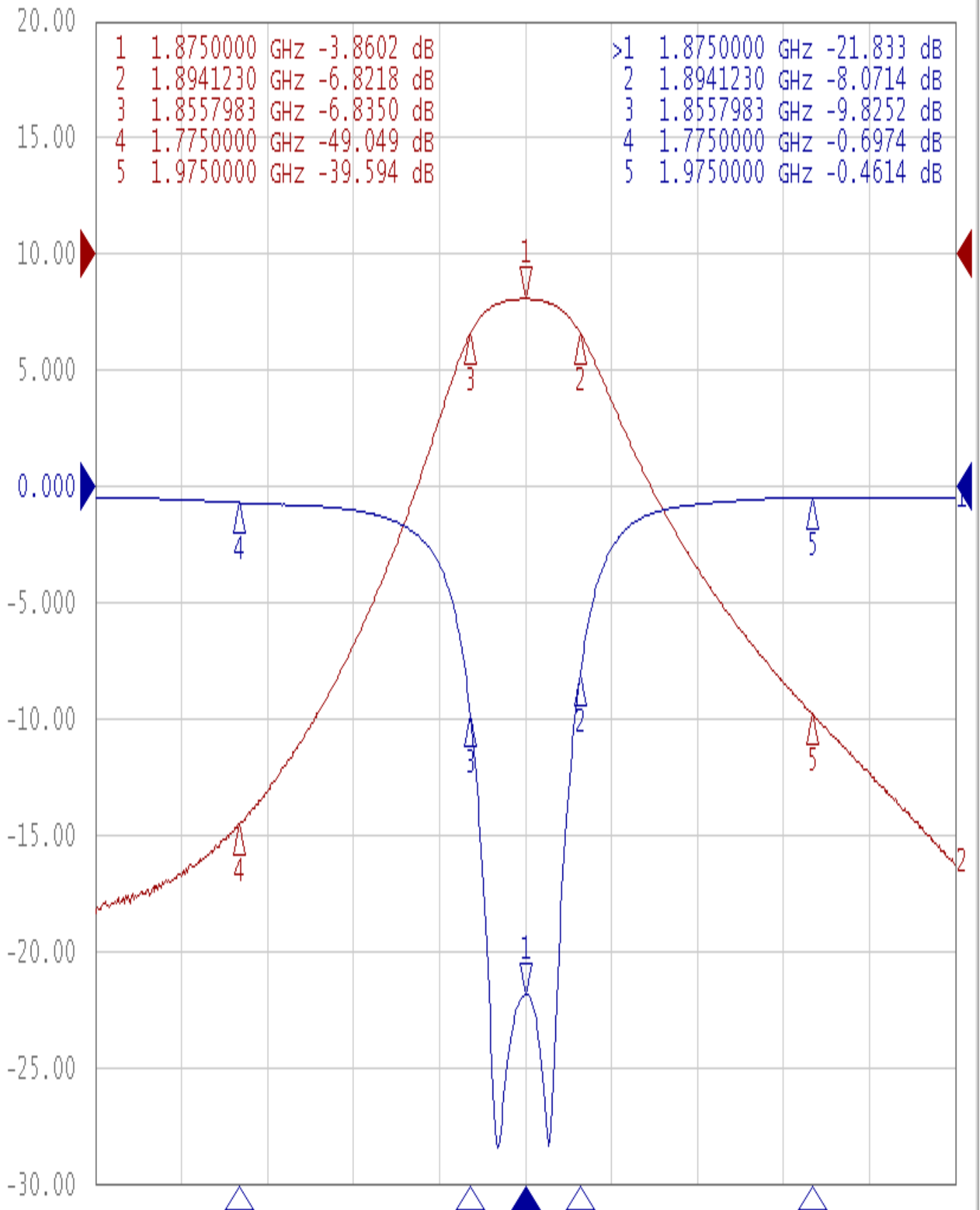
Approval	Supervisor	Designer	Aperture size
C.Y.Chang	C.K.Chang	C.S.Chang	5W3S(3.8*4.0)*(4.09) 5HW046RB3.2

TEMWELL CORPORATION

Performance-TTW3703B-1875M

200907042CD

▶ Tr1 S11 Log Mag 5.000dB/ Ref 0.000dB [F2]
Tr2 S21 Log Mag 10.00dB/ Ref 0.000dB [F2]



1 Center 1.875 GHz

IFBW 10 kHz

Span 300 MHz Cor !