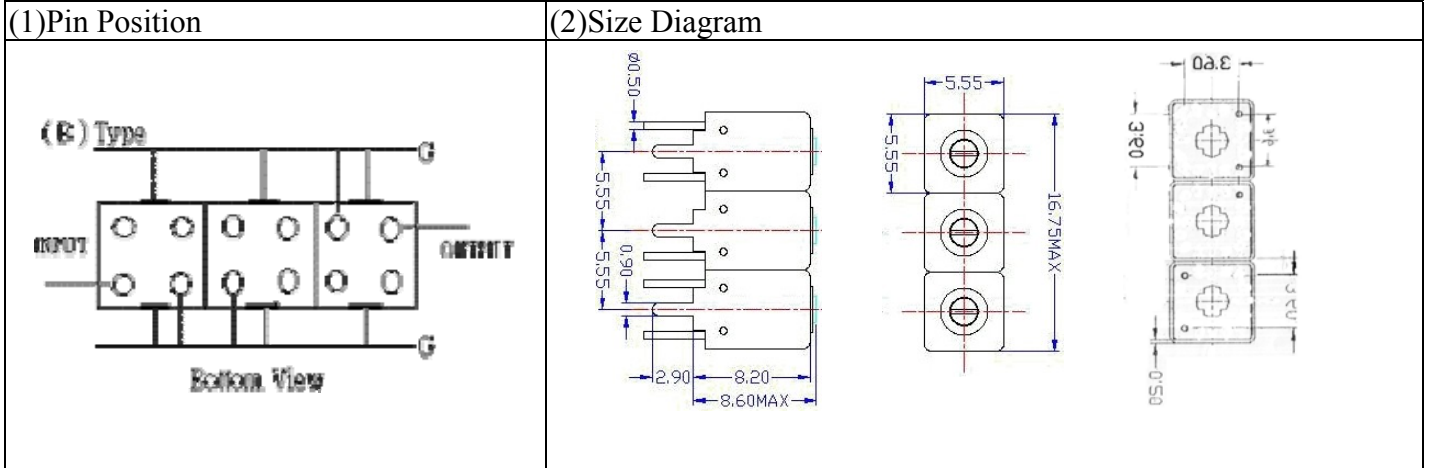


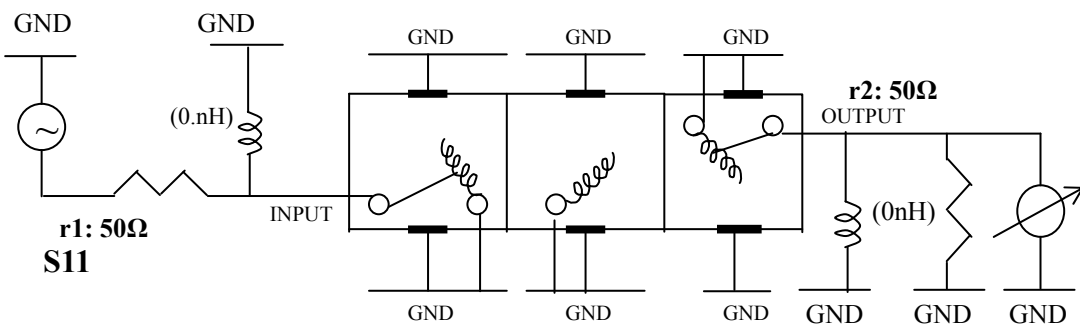
# VHF UHF Helical Filter Specification Sheet

Customer Name		Temwell's Part No.	TTW3702B-1825M
Approval No. /dated	0907040CD	Temwell's print Name.	3702B 1825M
Work Instruction No.	200907040CD	Date	Aug.13.2009



(3) Electric Characteristic					
Item		Specify		Performance	
Center Freq.(Fo) +/- 0.5 %		1825 MHz		1825 MHz	
Insertion Loss		Typ.	5.0 dB	4.20 dB	
-3 dB Bandwidth		Typ.	26 MHz	42.7 MHz	
Sensitivity (Attenuation)	Fo - 100 MHz	Typ.	41 dBc	43 dBc	
	Fo + 100 MHz	Typ.	27 dBc	30 dBc	
	Fo - ( )MHz	Typ.	dBc	dBc	
	Fo +( )MHz	Typ.	dBc	dBc	
Return Loss		Min.	12 dB	32.6 dB	
Ripple		< 1 dB		dB	
Impedance		In / Out : 50 Ω		In / Out : 50 Ω	
(4) Torque for Tuning Screw		> 60gf • cm			
(5) Temperature Condition:					
Operating Temperature		0°C ~ +60°C			
Storage Temperature		-20°C ~ +70°C			
(6) Input Power		> 0.5Watt			

(7) Measuring Circuit: ※Easy to match Impedance S11/S22 50Ω/ by parallel with about ( 0 nH ) / ( 0 nH ).



(Bottom View)

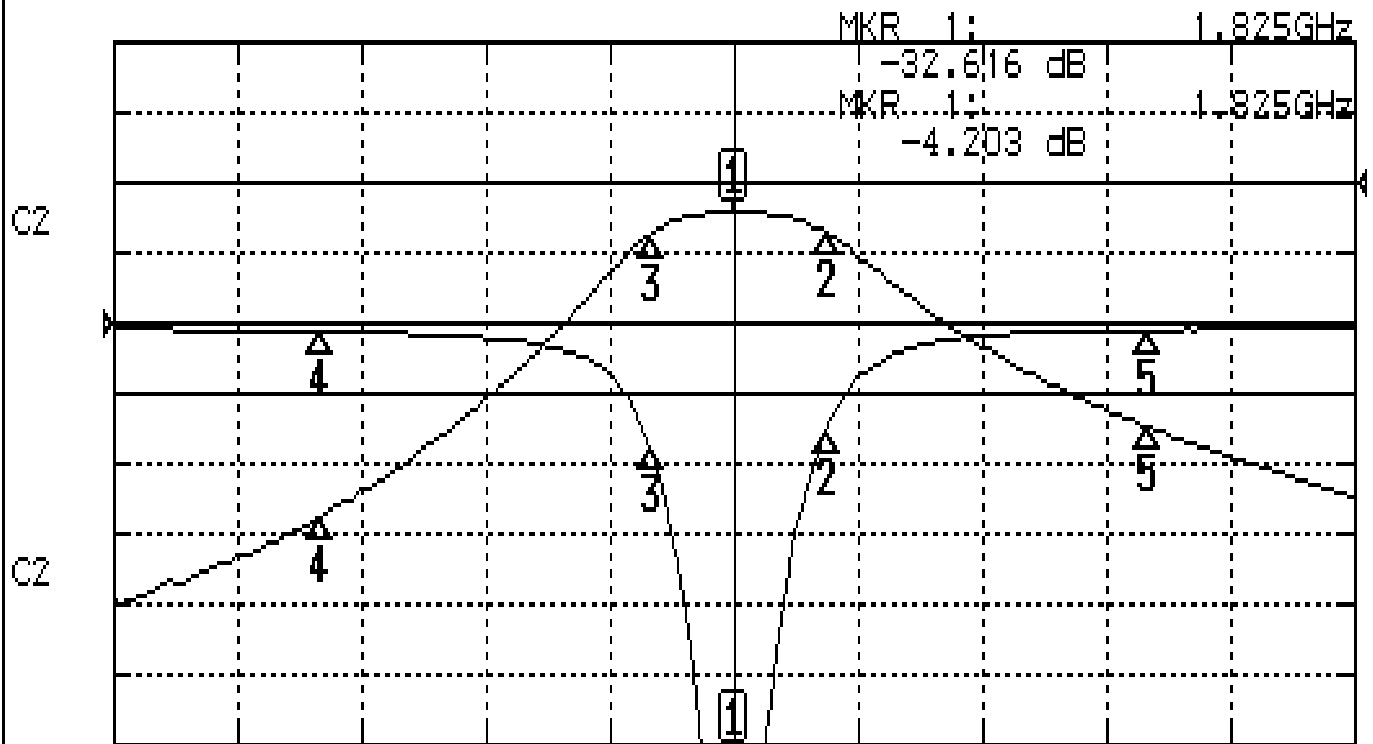
Approval	Supervisor	Designer	Aperture size
C.Y.Chang	C.K.Chang	C.H.Yeh	5W3S(3.8*4.5)(4.57) 5HW046RB3.2

TEMWELL CORPORATION

# Performance-TTW3702B-1825M

## 200907040CD

CH1 S11 LOG MAG REF 0.000 dB 5.000 dB/  
CH2 S21 LOG MAG REF 0.000 dB 10.000 dB/



CENTER 1.825GHz

[ 10.00 dBm ]

SPAN 300MHz

### CH1 MARKER LIST

Marker	Freq (GHz)	Magnitude (dB)
1:	1.825 000GHz	-32.616 dB
2:	1.847 750GHz	-7.387 dB
3:	1.805 000GHz	-8.993 dB
4:	1.725 000GHz	-0.571 dB
5:	1.925 000GHz	-0.476 dB

### CH2 MARKER LIST

Marker	Freq (GHz)	Magnitude (dB)
1:	1.825 000GHz	-4.203 dB
2:	1.847 750GHz	-7.266 dB
3:	1.805 000GHz	-7.146 dB
4:	1.725 000GHz	-47.454 dB
5:	1.925 000GHz	-34.725 dB