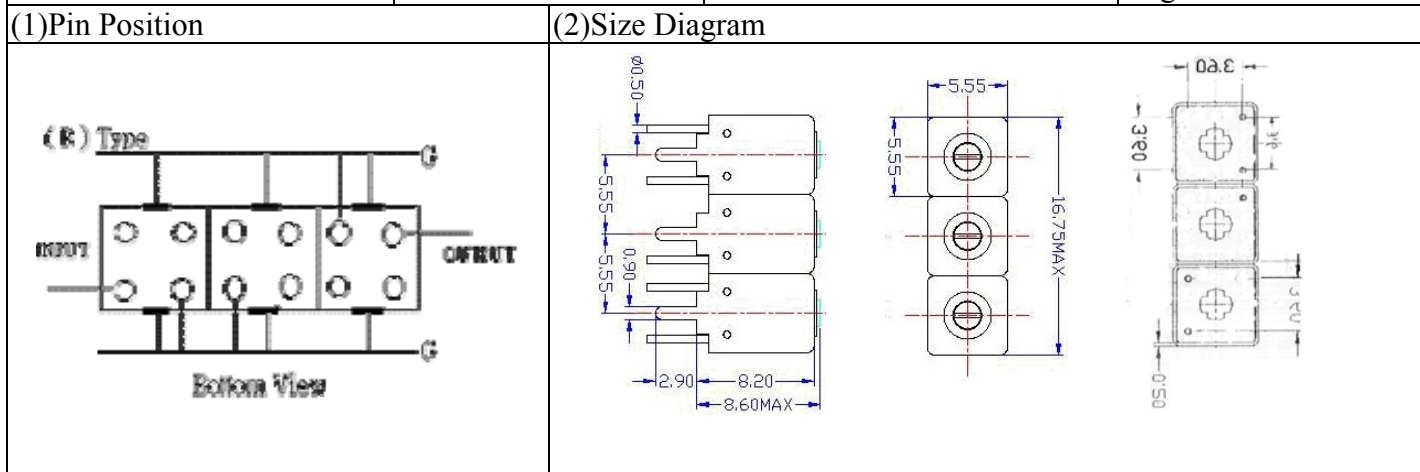


VHF UHF Helical Filter Specification Sheet

| | | | |
|----------------------|-------------|-----------------------|----------------|
| Customer Name | | Temwell's Part No. | TTW3701B-1725M |
| Approval No. /dated | 0904092CD | Temwell's Print Name. | 3701B 1725M |
| Work Instruction No. | 200904092CD | Date | Aug.06.2009 |



(3) Electric Character

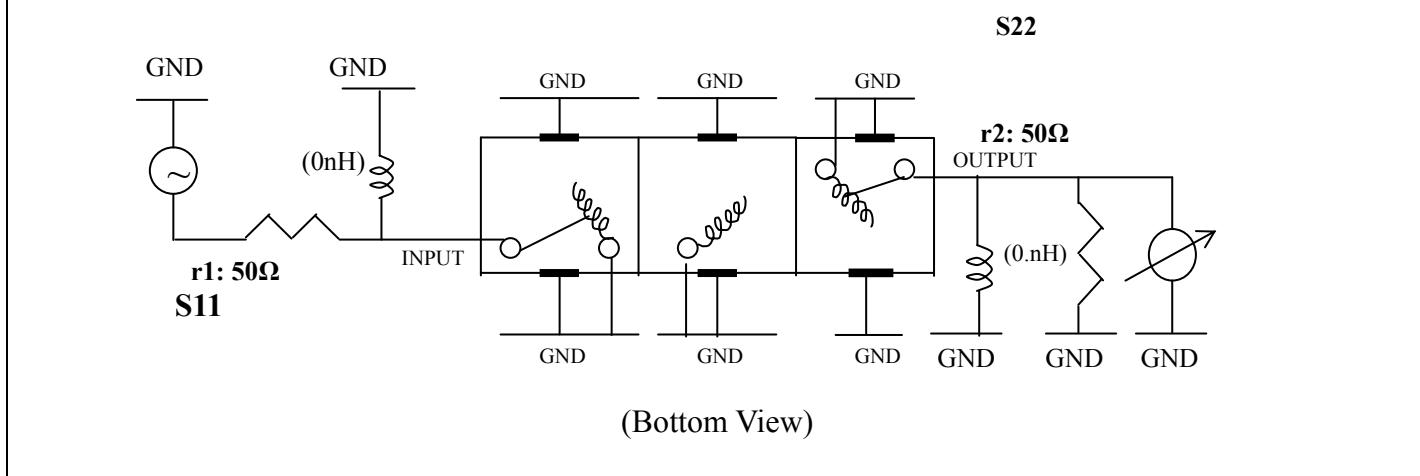
| Item | Specify | Performance | |
|------------------------------|-----------------|-----------------|--------|
| Center Freq.(Fo) +/- 0.5 % | 1725 MHz | 1725 MHz | |
| Insertion Loss | Typ. 5.5 dB | 4.73 dB | |
| -3 dB Bandwidth | Typ. 20 MHz | 36.5 MHz | |
| Sensitivity (Attenuation) | Fo - 100 MHz | Typ. 41 dBc | 44 dBc |
| | Fo +100 MHz | Typ. 30 dBc | 33 dBc |
| | Fo - ()MHz | Typ. dBc | dBc |
| | Fo +()MHz | Typ. dBc | dBc |
| Return Loss | Min. 12 dB | 25.2 dB | |
| Ripple | < 1 dB | dB | |
| Impedance | In / Out : 50 Ω | In / Out : 50 Ω | |
| (4) Torque for Tuning Screw | > 60gf • cm | | |

(5) Temperature Condition:

| | |
|-----------------------|---------------|
| Operating Temperature | 0°C ~ +60°C |
| Storage Temperature | -20°C ~ +70°C |

(6) Input Power

(7) Measuring Circuit: ※Easy to match Impedance S11/S22 50Ω by parallel with about(0nH) / (0nH).

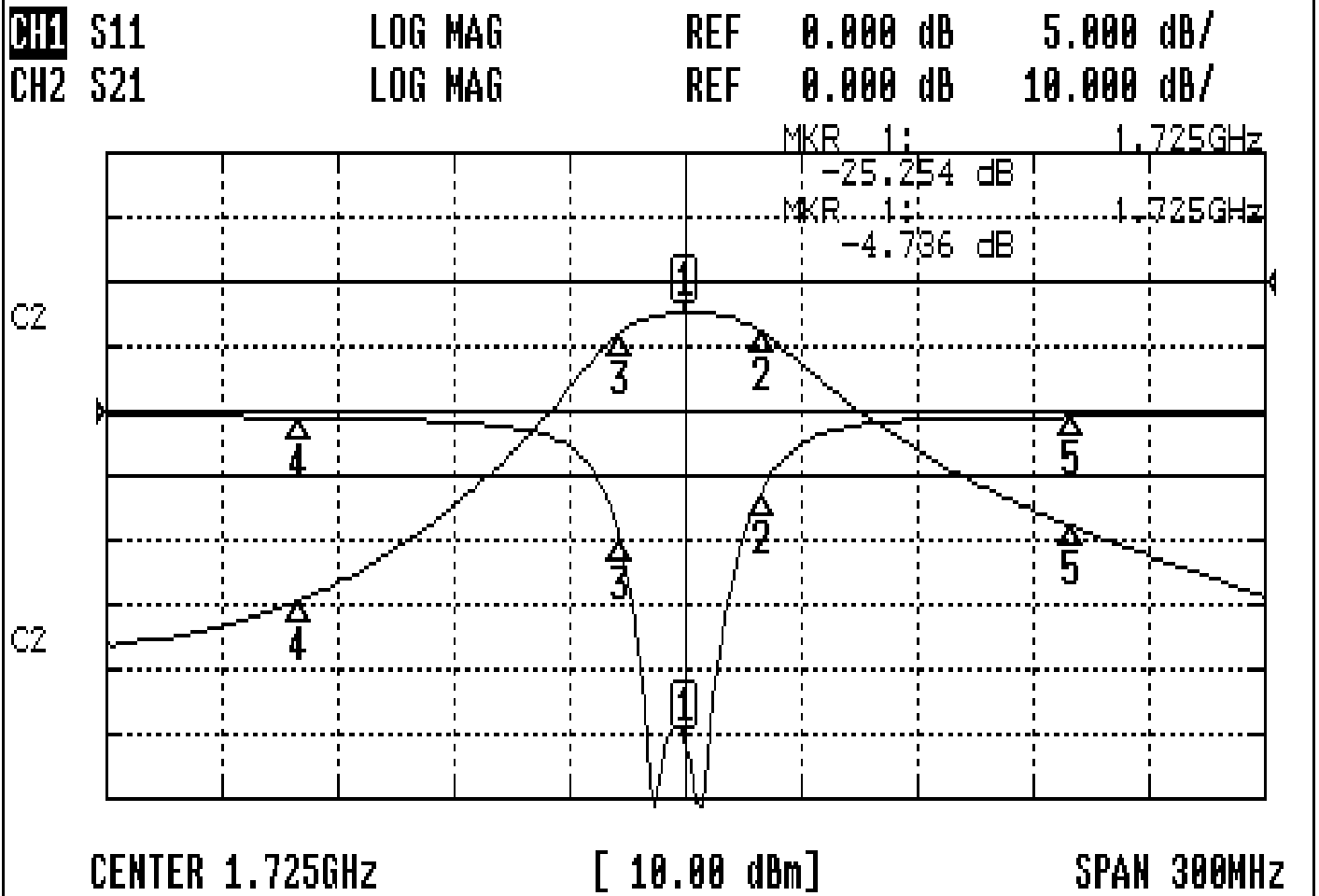


| | | | |
|-----------|------------|----------|----------------------------------|
| Approval | Supervisor | Designer | Aperture size |
| C.Y.Chang | C.K.Chang | Y.H.Yeh | 5W3S(3.8*3.5)(3.57) 5HW024RB3 |

TEMWELL CORPORATION

Performance-TTW3701B-1725M

200904092CD



CH1 MARKER LIST

| | | | | |
|-----|-------|--------|---------|----|
| 1: | 1.725 | 000GHz | -25.254 | dB |
| 2: | 1.744 | 700GHz | -6.331 | dB |
| 3: | 1.708 | 200GHz | -9.831 | dB |
| 4: | 1.625 | 000GHz | -0.497 | dB |
| 5: | 1.825 | 000GHz | -0.434 | dB |
| 6: | | | | |
| 7: | | | | |
| 8: | | | | |
| 9: | | | | |
| 10: | | | | |

CH2 MARKER LIST

| | | | | |
|-----|-------|--------|---------|----|
| 1: | 1.725 | 000GHz | -4.730 | dB |
| 2: | 1.744 | 700GHz | -7.757 | dB |
| 3: | 1.708 | 200GHz | -7.739 | dB |
| 4: | 1.625 | 000GHz | -49.251 | dB |
| 5: | 1.825 | 000GHz | -37.799 | dB |
| 6: | | | | |
| 7: | | | | |
| 8: | | | | |
| 9: | | | | |
| 10: | | | | |